
3.1.1 Design. The fitted covers shall be made in accordance to the dimensions in tables III and IV as they apply to figures 1, 2, and 3.

3.1.2 Characteristics. The fitted covers shall have the following characteristics or capabilities:

- a. Provide a protective barrier against sun, wind, water, sand, dust and dirt for the vehicle body it is mounted on.
- b. Provided with a means to resist abrasion from the vehicle body and the mounting points and supports.
- c. Be equipped with adjustable provisions to secure the cover to the vehicle on the sides, front and rear which match the tie down or securing points on the applicable vehicle.
- d. Be equipped with provisions to roll up and secure the cover while it is mounted on the vehicle.
- e. Be the color specified in the purchase order.
- f. Be constructed of 19 to 22 ounce material treated to repel water.
- g. Be made to the dimensions in tables III and IV as they pertain to figure numbers 1, 2 and 3.
- h. Be marked to indicate which end goes on the front of the intended vehicle.
- i. Be marked with the manufacturer's part number on the inside cover or end curtain.

3.2 Marking. Vehicle covers and end curtains supplied to this CID shall be marked with the manufacturer's (MFR's) standard commercial PIN. (NOTE: The part number marked on the unit pack shall be the CID PIN.)

3.3 Recycled, recovered, or environmentally preferable materials. Recycled, recovered, or environmentally preferable materials should be used to the maximum extent possible provided that the material meets or exceeds the operational and maintenance requirements, and promotes economically advantageous life cycle costs.

3.4 Workmanship. Vehicle covers and end curtains shall be processed in such a manner as to be uniform in quality and shall be free from other defects that will affect life, serviceability, or appearance.

4. REGULATORY REQUIREMENTS. The offeror/contractor is encouraged to use recovered materials to the maximum extent practicable, in accordance with 23.403 of the Federal Acquisition Regulation (FAR).

5. PRODUCT CONFORMANCE PROVISIONS.

5.1 Product conformance. The products provided shall meet the salient characteristics of this CID, conform to the producer's own drawings, specifications, standards, and quality assurance practices, and be the same product offered for sale in the commercial market. The Government reserves the right to require proof of such conformance.

5.2 Certification. Certification must be done with the procuring activity approval. The contractor shall certify that the product offered meets the salient characteristics of the description and conforms to the producer's own drawings, specifications, standards, and quality assurance practices, and is the same as the product offered for sale in the commercial marketplace. The government reserves the right to require proof of such conformance prior to first delivery and thereafter as may be otherwise provided for under the provisions of the contract

A-A-33333

6. PACKAGING. Preservation, packing, and marking shall be as specified in the contract or order.

7. NOTES.

7.1 PIN. The PIN should be used for Government purposes to buy commercial products to this CID. See section 2 for PIN format example.

7.2 Environmentally preferable material. Environmentally preferable materials should be used to the maximum extent possible to meet the requirements of this specification. As of the dating of this document, the U.S. Environmental Protection Agency (EPA) is focusing efforts on reducing 31 priority chemicals. The list of chemicals and additional information is available on their website <http://www.epa.gov/osw/hazard/wastemin/priority.htm>. Included in the EPA list of 31 priority chemicals are cadmium, lead, and mercury. Use of these materials should be minimized or eliminated unless needed to meet the requirements specified herein (see Section 3).

7.3 Commercial and Government Entity (CAGE) code. For ordering purposes, inventory control, and submission of these vehicle covers and end curtains to DLA Land and Maritime under the Parts Management Advisory Team (PMAT), CAGE code 58536 should be used.

7.4 Source of documents.

DEPARTMENT OF DEFENSE SPECIFICATIONS

MIL-PRF-32002 - Cover Material, Vehicle, Coated Tactical and Combat, Heavy-Duty Waterproof

(Copies of these documents are available online at <http://quicksearch.mil> or from the DLA Document Services Order Desk, 700 Robbins Avenue, Building 4D, Philadelphia, PA 19111-5094)

FEDERAL REGULATIONS

FAR - Federal Acquisition Regulations (FAR)

(Copies of these documents are available online at www.acquisition.gov/comp/far/index.html or from the U.S. Government Printing Office, 732 North Capital Street, NW, Washington D.C. 20401.)

7.5 Ordering data. The contract or order should specify the following:

- a. CID document number, revision, and CID PIN.
- b. Product conformance provisions or certification.
- c. Packaging requirements.

7.6 Commercial products. As part of the market analysis and research effort, this CID was coordinated with the following manufacturers of commercial products. At the time of CID preparation and coordination, these manufacturers were known to have commercial products that would meet the requirements of this CID. (NOTE: This information should not be considered as a list of approved manufacturers or be used to restrict acquisition to only the manufacturers shown.)

A7-53333D

<u>MFR's CAGE</u>	<u>MFR's name and address</u>
1RLH6	Hoffmann Fabricating LLC 909 E Waterman st Wichita, KS 67202-4731 Shala Hoffmann Tel: (316) 262-6041 shala@hoffmannfabricating.com
54799	Breton Industries 1 Sam Straton Rd. Amsterdam, NY 12010 Al Darmofal (518) 842-3030 adarmofal@bretonindustries.com
4K539	Polytechnic Industries Inc. 14 Roland ave Mount Laurel, NJ 08054-1012 Eric B. Miller Tel: (856) 235-6550 emiller@polytechnicind.com
9J595	Weckworth Manufacturing inc 117 Baughman ave Haysville, KS 67060-1305 Loren Watson Tel: (316) 263-3286 loren@weckworth.com
3S151	Production Products Manufacturing 1285 Dunn rd Saint Louis, MO 63138-2802 Daniel P Gaffney Tel: (314) 868-3500 dgaffney@ppstl.net
15814	C.R. Daniels Inc 3451 Ellicott Ctr Dr. Ellicott City, MD 21043 Chris Lobianco 410-461-2100 clobianco@crdaniels.com
2H635	D C Humphry Co 5000 Paschall Ave Philadelphia, PA 19143 (215) 724-8181 Ronald Nissenbaum rbn@humphrys.biz http://https://www.humphrys.biz

A-A-55539

<u>MFR's CAGE</u>	<u>MFR's name and address</u>
56101	John Johnson Co. 274 S WATERMAN AVE Detroit, MI 48209 Mark A. Ficarra (313) 849-5209 govtsales@jjcompany.com http://www.johnjohnsonco.com
9G536	Ehmke Manufacturing Co., Inc. 4200 Macalester St. Philadelphia, PA 19124 Robert L. Rosania 215-324-4200, 800-783-2065 (toll free) brosania@ehmkemfg.com www.ehmkemanufacturing.com/

7.7 Government users. To acquire information on obtaining these vehicle covers and end curtains from the Government inventory system, contact DLA Land and Maritime, ATTN DLA Land and Maritime Call Center (-NAB), P.O. Box 3990, Columbus, OH 43218-3990 or telephone (614) 692-2271 or (614) 692-3191).

7.8 Legacy. This commercial item description is a replacement for MS51323, MS51324 and MIL-C-13489 for all federal agencies (MS51323, MS51324 and MIL-C-13489 are canceled as of 26 February 1999 and copies of these documents are available online at <http://quicksearch.dla.mil> or from the U.S. Government Printing Office, 732 North Capital Street, NW, Washington D.C. 20401.)

7.9 Changes from previous issue. Marginal notations are not used in this revision to identify changes with respect to the previous issue due to the extensiveness of the changes

7.10 PIN supersession data. These CID PIN's supersede the following MFR's PIN's as shown in table I through table IV. This information is being provided to assist in reducing proliferation in the Government inventory system.

TABLE I. Currently procured vehicle top covers.

Dash no.	Military PIN	CID PIN
6	2014122-1	A-A-55539-006
8	MS51323-8	A-A-55539-008
26	7392938	A-A-55539-026
27	2018842-1	A-A-55539-027
28	MS51323-28	A-A-55539-028
30	7085460	A-A-55539-030

TABLE II. Currently procured end curtains.

Dash no.	Military PIN	CID PIN
4	MS51324-4	A-A-55539-4
16	MS51324-16	A-A-55539-16
18	MS51324-18	A-A-55539-18
20	MS51324-20	A-A-55539-20

A-A-333333

TABLE III. Vehicle top cover size to cross reference list.

DASH NO.	6	26	27	28	30
DIMENSIONS +1/8"					
A Body Length	176	273	197	176	238
B Body Width	168	176	176	176	200
ROPES	12	20	14	12	16
678C	5 ½	5 ½	5 ½	5 ½	5 ½
D	13 ½	12 ½	14	13 ½	16 ¼
E	29	23 7/8	25 ½	27 5/8	25
F	36	29 3/8	33	35 ¼	34
G	36	29 3/8	33	36 ¼	41 ¼
H	36 ½	29 3/8	33	37 7/8	37 ¾
J	-----	35 ½	33 ½	-----	34
K	-----	29 3/8	-----	-----	32
L LAST TO END	19 ½	19 1/8	19 ½	20	20 ¾
M DRAW ROPE	60	60	60	72	60
MR DRAW ROPE	60	60	60	72	60
NO. BOW PADS	10	20	12	10	14
N LAST TO END	16	15 ¾	16	16	16
P	-----	29 3/8	-----	-----	33 ¾
R	-----	6	33	-----	34
S	36	29 3/8	33	36	37 ¾
T	36	29 3/8	33	36	33 ¾
U	36	29 3/8	33	36	34
W	36	29 3/8	33	36	33 ¾
Y	16	16	16	16	16
Z	35 7/8	39 7/8	39 7/8	39 7/8	39 7/8
AE	8	8	8	8	8
AF	33	29	29	33	41
AG	5/8	1 ¾	1 ¾	5/8	5/8
AH	24	24	24	24	24
AJ	14	14	14	14	14
AK	2 ½	2 ¼	2 ¼	2 ¼	2 ¼
AL	3 ¾	3 ½	3 ½	3 ¾	3 ½
AM	5/8	5/8	5/8	5/8	5/8
AN	1/8	1/4	1/4	1/8	1/4
AP	3 1/8	3	3	3 1/8	3

A7-3333B

TABLE IV. Vehicle end curtain size to cross reference list.

Dash No.	4	16	18	20
Dimensions $\pm 1/8$ "				
A	51-1/2	51-1/2	51-1/2	63-1/2
B	83-3/8	90-3/8	90-3/8	90-3/8
C	26-1/8	30-1/8	26-1/2	26-1/2
D	26	22-1/2	18	18
E ROPE	276	276	292	316
F	120	136	120	120
G	10	10	10	11-1/4
J	10-3/4	11-1/8	11-1/4	11-1/4

AA-333333

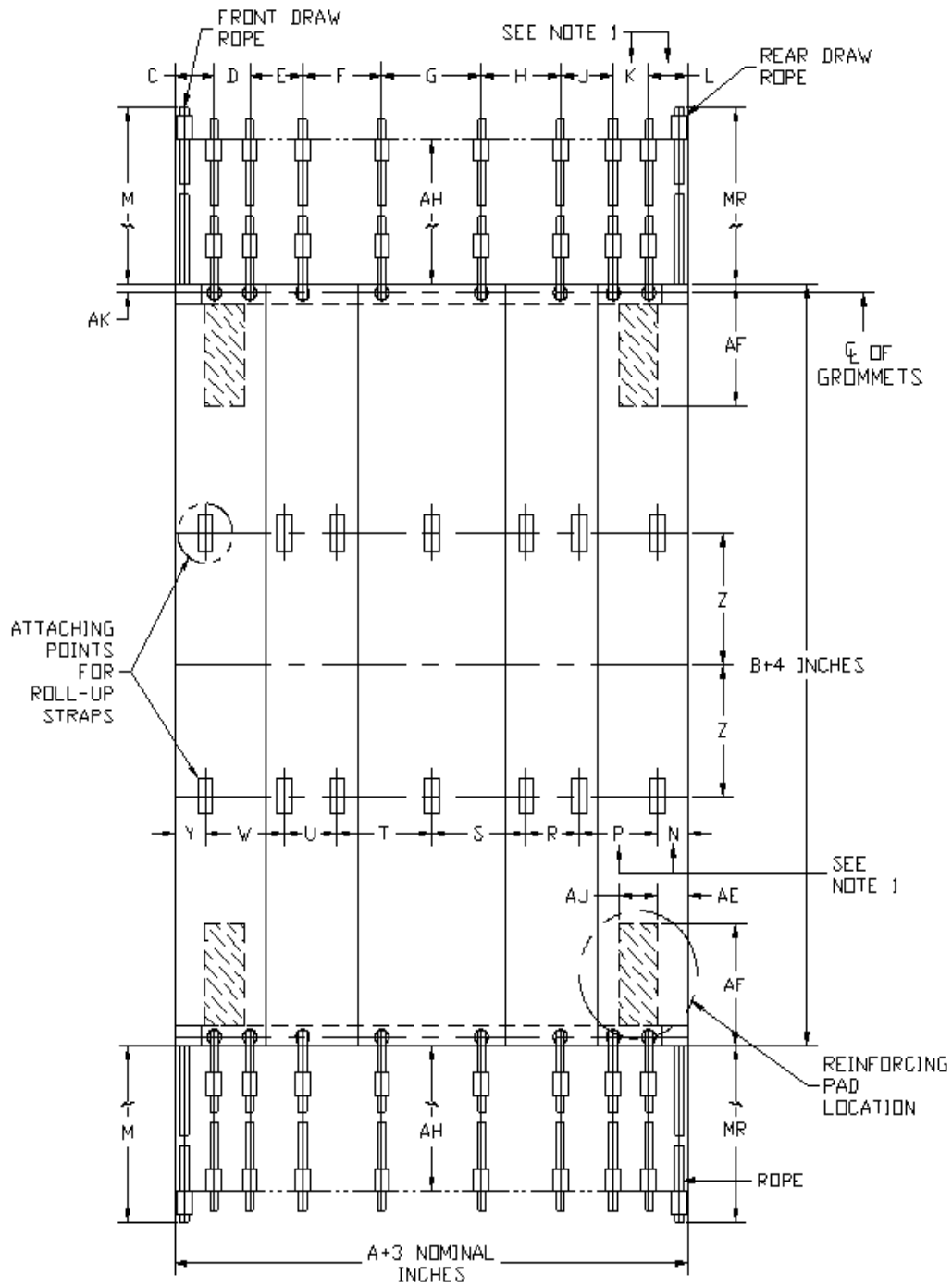


FIGURE 1. Fitted vehicle cover.

AA-333333

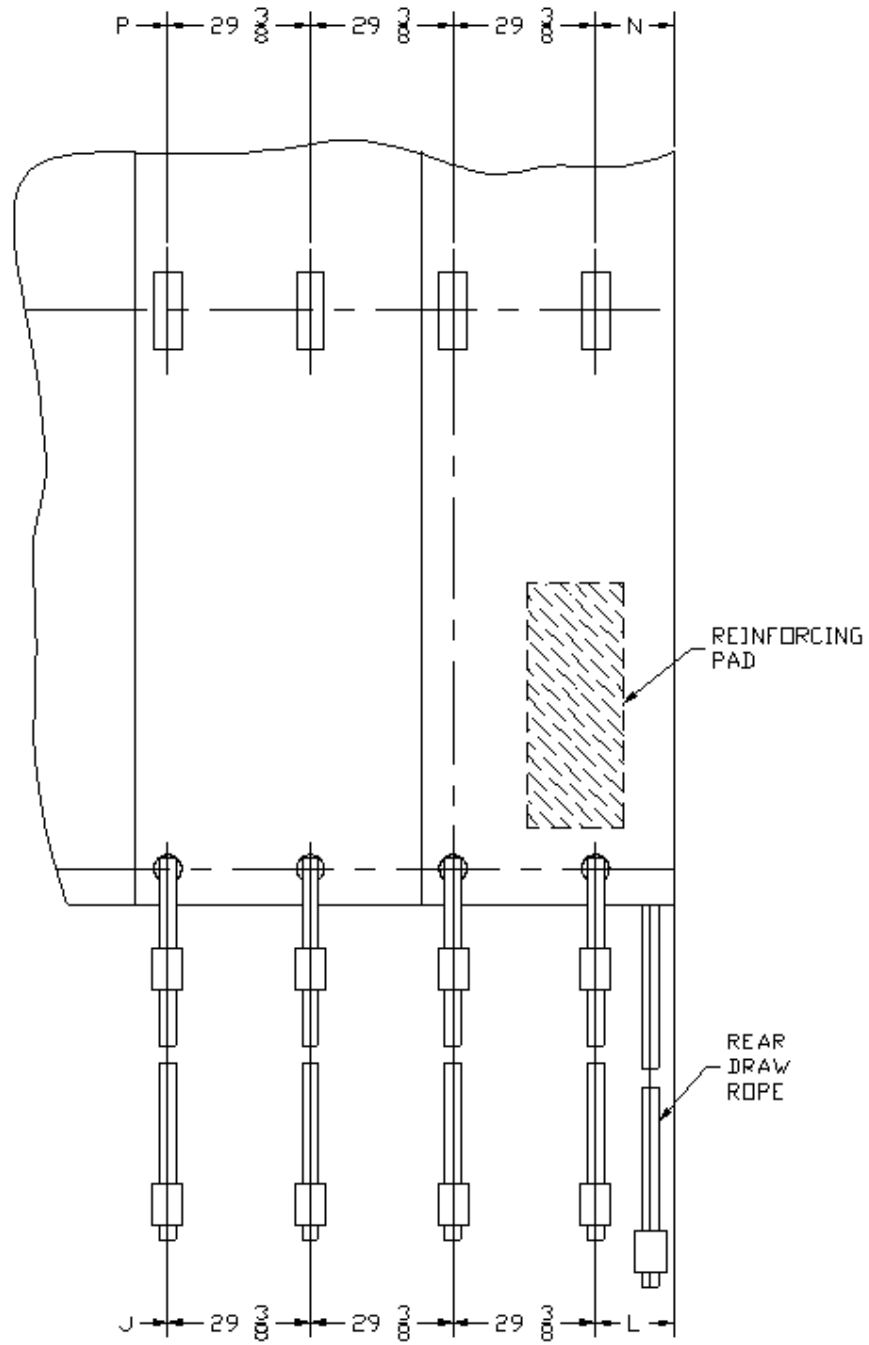


FIGURE 2. Fitted vehicle cover detail.

AA-33333B

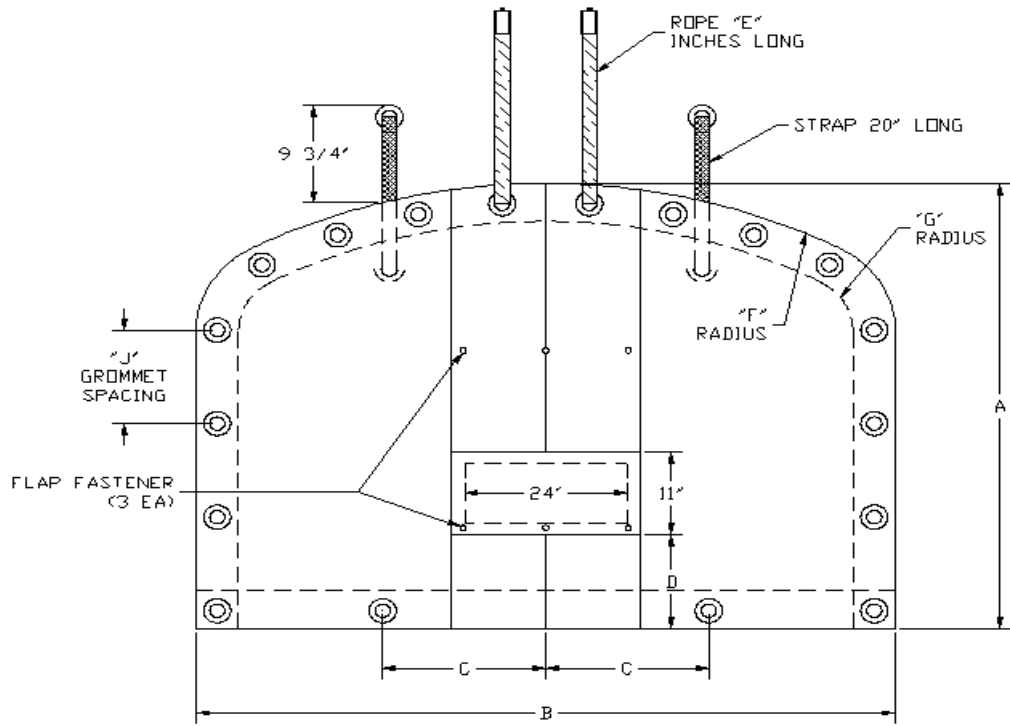


FIGURE 3. Curtain, vehicular: end.

MILITARY INTERESTS

Custodians:

Army - AT
Navy - YD
Air Force - 99
DLA - CC

Review activities:

Army-AR
Navy – MC, SA
Air Force – 84
DLA - CT

CIVIL AGENCY COORDINATING ACTIVITY:

GSA - FAS

Preparing activity:

DLA - CC

Project 2540-2014-001

NOTE: The activities listed above were interested in this document as of the date of this document. Since organizations and responsibilities can change, you should verify the currency of the information above using the ASSIST Online database at <https://assist.dla.mil>.