

INCH POUND

A-A-55539A
 19 March 2003
 Superseding
 A-A-55539
 26 February 1999

COMMERCIAL ITEM DESCRIPTION

VEHICLE COVERS AND END CURTAINS

The General Services Administration has authorized the use of this Commercial Item Description (CID) for all federal agencies.

1. SCOPE. This CID covers the requirements for protective covers that fit on the top and ends of motor vehicle (truck) bodies. The fitted covers are contained in a single classification.

2. CLASSIFICATION/PART OR IDENTIFICATION NUMBER (PIN). This CID describes a single class of covers and end curtains.

2.1 Classification identifying Vehicle Top Covers sizes 6, 8, 26, 27, 28, 30 and Vehicle End Curtains sizes 4, 16, 18, 20.

2.2 Part or Identification Number (PIN). (see the following example)

A-A-55539

 |

 CID Number

0

 |

 Dash Number
 (See tables 1 & 3)

Beneficial comments, recommendations, additions, deletions, clarifications, etc., and any data which may improve this document should be sent to: Defense Supply Center, Columbus, ATTN: DSCC-VAI, Box 3990, Columbus, OH 43216-5000, or telephone (614) 692-0566, or facsimile (FAX) (614) 692-6939.

AMSC N/A

FSC 2540

DISTRIBUTION STATEMENT A. Approved for public release; distribution is unlimited.

A-A-55539A

3. SALIENT CHARACTERISTICS.

3.1 Design. The fitted covers shall be made in accordance to the dimensions in Tables 2 and 4 as they apply to figures 1, 2, and 3.

3.2 Characteristics. The fitted covers shall have the following characteristics or capabilities:

- a. Provide a protective barrier against sun, wind, water, dust and dirt for the vehicle body it is mounted on.
- b. Provided with a means to resist abrasion from the vehicle body and the mounting points and supports.
- c. Be equipped with adjustable provisions to secure the cover to the vehicle on the sides, front and rear which match the tie down or securing points on the applicable vehicle.
- d. Be equipped with provisions to roll up and secure the cover while it is mounted on the vehicle.
- e. Be the color specified in the purchase order.
- f. Be constructed of 19 to 22 ounce material treated to repel water.
- g. Be made to the dimensions in tables 2 and 4 as they pertain to figure numbers 1, 2 and 3.
- h. Be marked to indicate which end goes on the front of the intended vehicle.
- i. Be marked with the manufacturer's part number on the inside cover or end curtain.

4. **REGULATORY REQUIREMENTS**. The offeror/contractor is encouraged to use recovered materials to the maximum extent practicable, in accordance with paragraph 25.403 of the Federal Acquisition Regulation (FAR).

5. PRODUCT CONFORMANCE PROVISIONS.

5.1 Product Conformance. The products provided shall meet the salient characteristics of this CID, conform to the producer's own drawings, specifications, standards, and quality assurance practices, and be the same product offered for sale in the commercial market. The Government reserves the right to require proof of such conformance.

5.2 Market Acceptance. The following market acceptance criteria are necessary to document the quality of the product provided under this CID.

- a. The company producing the item shall have at least 5 years of previous experience providing a product that meets the general characteristics of the CID.
- b. The company shall have sold at least 50 similar commercial vehicle or trailer covers in the last two procurement years.
- c. The company shall have a current commercial product line that will support the delivery of items described in the CID.

A-A-55539A

6. **PACKAGING.** Preservation, packing and marking shall be as specified in the contract or order.

7. **NOTES.**

7.1 PIN. The PIN should be used for Government purposes to buy commercial products to this CID. See section 2 for PIN format example.

7.2 Commercial Products. This CID was coordinated with the following manufactures of commercial tarps and covers. The manufacturers were known to have commercial products that would meet the requirements of the CID. This information should not be considered as a list of approved manufacturers or be used to restrict procurement to only the manufacturers shown.

<u>Manufacturer's name and address</u>	<u>Manufacturer's CAGE</u>
Weckworth Mfg. Inc. 1806 W 2 nd St. Wichita, KS 67203 (316) 263-3286	9J595
Roose-Bezuyen 4422 E University, St. Phoenix, AZ 85034 (602) 921-2811	0PDU2
Production Products Inc. 1285 Dunn Rd. St. Louis, MO 63138 (314) 868-3500	3S151
John Johnson Co. 1481 14 th St. Detroit, MI 48216 (313) 496-0600	56101
D C Humphry Co. 5744 Woodland Ave. Philadelphia, PA 19143 (215) 724-8181	2H635
Ehmke Mfg. Co. 5155 Belfield Ave. Philadelphia, PA 19144 (215) 849-1166	9G536
C R Daniels Inc. 3451 Ellicott Ctr. Dr. Ellicott City, MD 21043 (410) 461-2100	15814
Breton Industries 1 Sam Straton Rd. Amsterdam, NY 12010 (518) 842-3030	54799

A-A-55539A

7.3 Material Information. Materials meeting the government's performance requirements are described in MIL-PRF-32002A, dated 5 September 1997.

Table 1. Currently procured vehicle top covers

Dash No.	Military Part Number	CID Part Number
6	2014122-1	A-A-55539-006
8	MS51323-8	A-A-55539-008
26	7392938	A-A-55539-026
27	2018842-1	A-A-55539-027
28	MS51323-28	A-A-55539-028
30	7085460	A-A-55539-030

7.4 Sources for Referenced Document. MIL-PRF-32002A and the FAR may be obtained from the Standardization Document Order Deck, 700 Robbins Ave, Bldg 4D, Philadelphia, PA 19111-5094, Telephone 800-225-3842

7.5 Government users. To acquire information on obtaining these Vehicle Covers and End Curtains from the Government inventory system, contact Defense Supply Center, Columbus, ATTN: DSCC Call Center (DSCC-NAB), Post Office Box 3990, Columbus, OH 43216-5000 or telephone (614) 692-2271 or -3191.

A-A-55539A

Table 2. Vehicle top cover size to cross reference list

DASH NO.	6	26	27	28	30
DIMENSIONS $\pm 1/8$ "					
A Body Length	176	273	197	176	238
B Body Width	168	176	176	176	200
ROPES	12	20	14	12	16
678C	5 1/2	5 1/2	5 1/2	5 1/2	5 1/2
D	13 1/2	12 1/2	14	13 1/2	16 1/4
E	29	23 7/8	25 1/2	27 5/8	25
F	36	29 3/8	33	35 1/4	34
G	36	29 3/8	33	36 1/4	41 1/4
H	36 1/2	29 3/8	33	37 7/8	37 3/4
J	-----	35 1/2	33 1/2	-----	34
K	-----	29 3/8	-----	-----	32
L LAST TO END	19 1/2	19 1/8	19 1/2	20	20 3/4
M DRAW ROPE	60	60	60	72	60
MR DRAW ROPE	60	60	60	72	60
NO. BOW PADS	10	20	12	10	14
N LAST TO END	16	15 3/4	16	16	16
P	-----	29 3/8	-----	-----	33 3/4
R	-----	6	33	-----	34
S	36	29 3/8	33	36	37 3/4
T	36	29 3/8	33	36	33 3/4
U	36	29 3/8	33	36	34
W	36	29 3/8	33	36	33 3/4
Y	16	16	16	16	16
Z	35 7/8	39 7/8	39 7/8	39 7/8	39 7/8
AE	8	8	8	8	8
AF	33	29	29	33	41
AG	5/8	1 3/4	1 3/4	5/8	5/8
AH	24	24	24	24	24
AJ	14	14	14	14	14
AK	2 1/2	2 1/4	2 1/4	2 1/4	2 1/4
AL	3 3/4	3 1/2	3 1/2	3 3/4	3 1/2
AM	5/8	5/8	5/8	5/8	5/8
AN	1/8	1/4	1/4	1/8	1/4
AP	3 1/8	3	3	3 1/8	3

A-A-55539A

Table 3. Currently procured end curtains

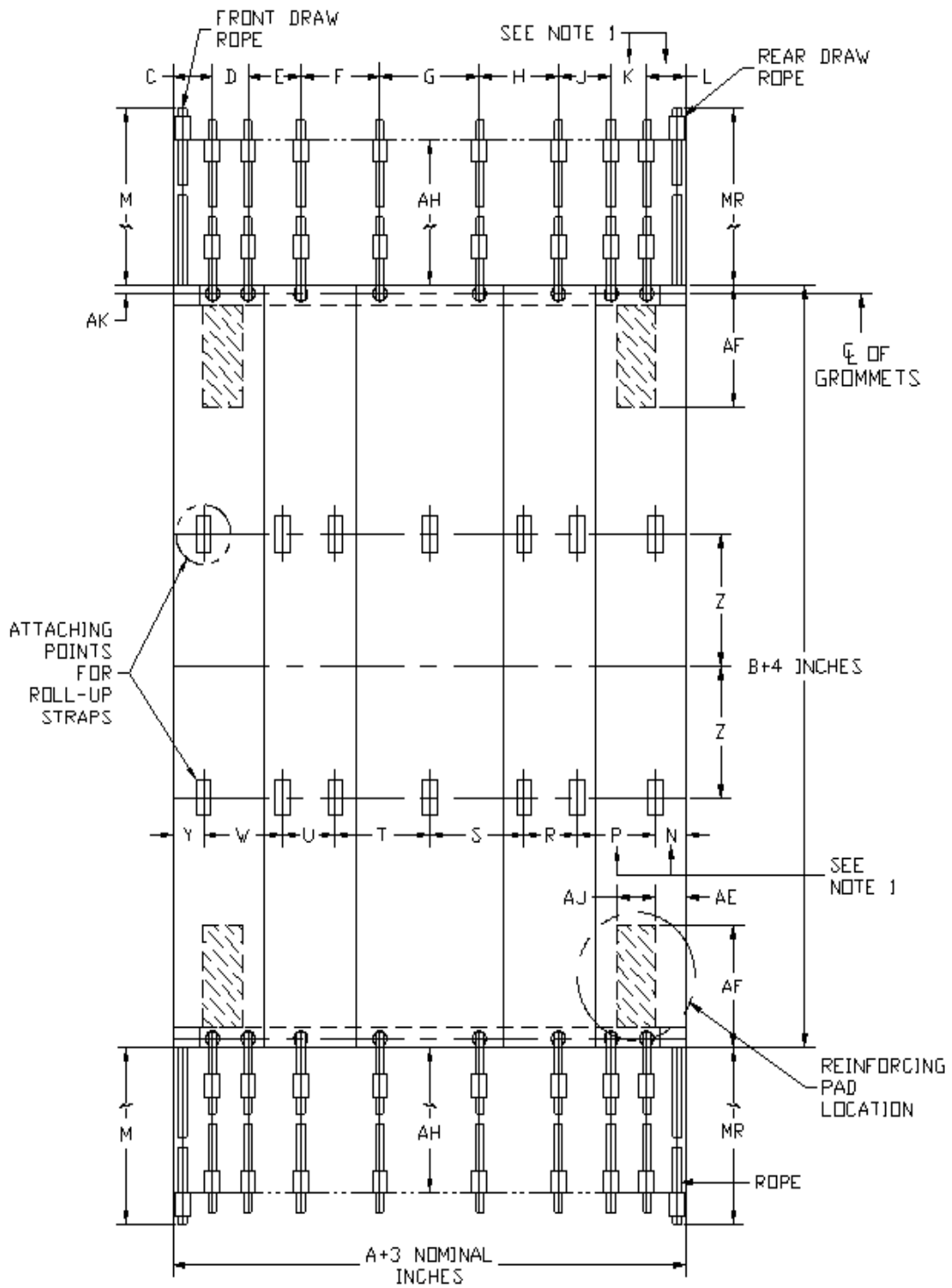
Dash No.	Military Part Number	CID Part Number
4	MS51324-4	A-A-55539-4
16	MS51324-16	A-A-55539-16
18	MS51324-18	A-A-55539-18
20	MS51324-20	A-A-55539-20

Table 4. Vehicle end curtain size to cross reference list

Dash No.	4	16	18	20
Dimensions $\pm 1/8$ "				
A	51-1/2	51-1/2	51-1/2	63-1/2
B	83-3/8	90-3/8	90-3/8	90-3/8
C	26-1/8	30-1/8	26-1/2	26-1/2
D	26	22-1/2	18	18
E ROPE	276	276	292	316
F	120	136	120	120
G	10	10	10	11-1/4
J	10-3/4	11-1/8	11-1/4	11-1/4

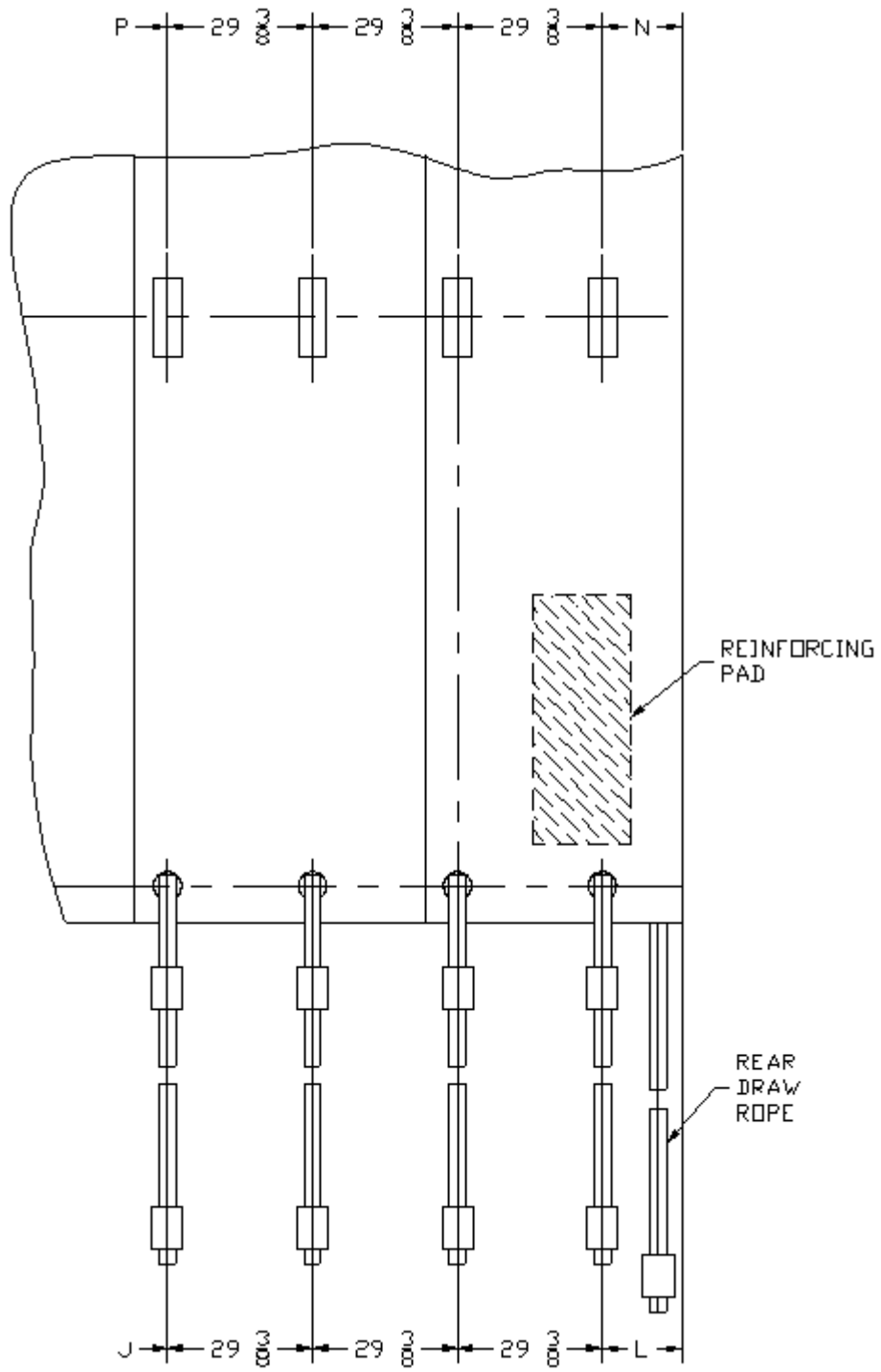
A-A-55539A

Figure 1
Fitted vehicle cover



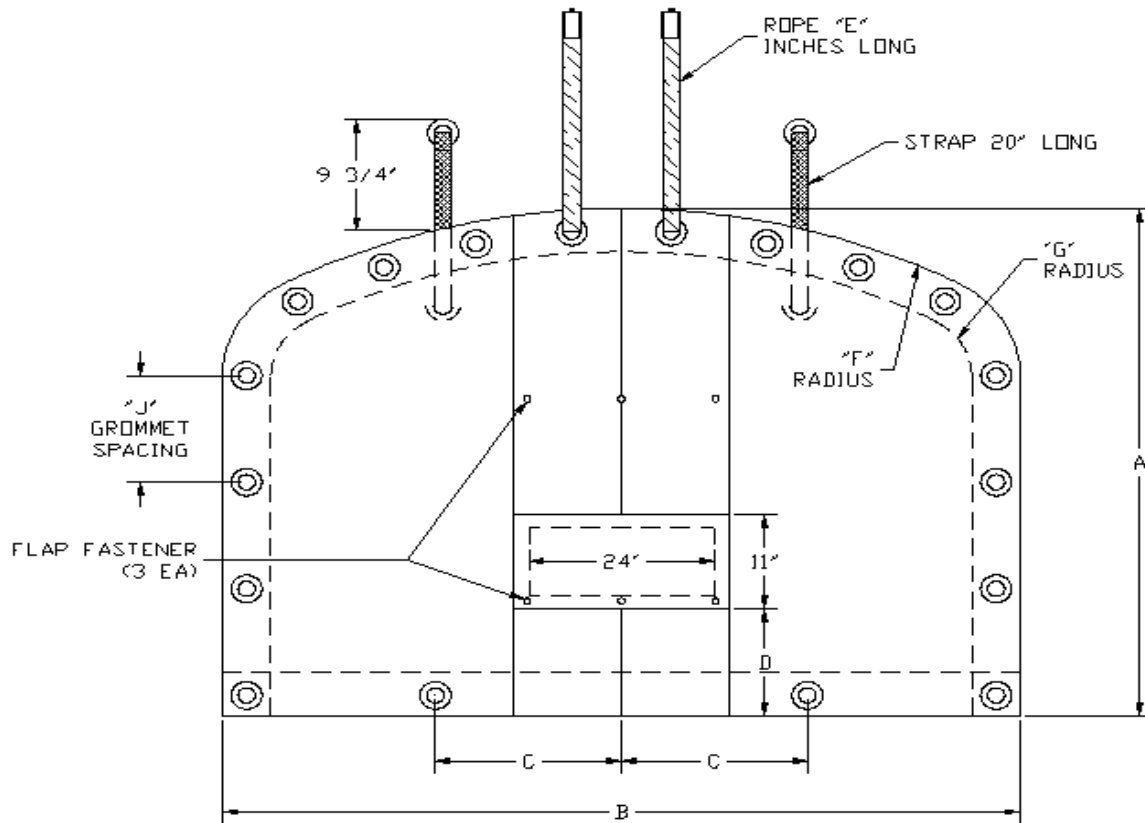
A-A-55539A

Figure 2
Fitted vehicle cover detail



A-A-55539A

Figure 3
Curtain, vehicular: end



MILITARY INTEREST

Custodians:
Army - AT
Air Force - 99
DLA - CC

Preparing activity:
DLA - CC

(Project No. 2540-0473-000)

Review activity:
Air Force - 84