

[INCH-POUND]
 A-A-55518/2D
 29 November 2012
 SUPERSEDING
 A-A-55518/2C
 1 February 2008

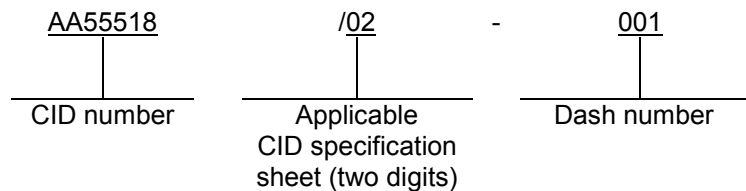
COMMERCIAL ITEM DESCRIPTION
 SPECIFICATION SHEET

FUSEHOLDER, BLOCK, 20 OR 30 AMPERES (A), 250 VOLTS (V) AC,
 1 THROUGH 12 POLE, ACCOMMODATES 3AG OR 3AB TYPE FUSE CARTRIDGES

The General Services Administration has authorized the use of this commercial item description for all federal agencies.

The complete requirements for procuring the fuseholder blocks described herein shall consist of this document and the issue in effect of [A-A-55518](#).

CLASSIFICATION/PART OR IDENTIFICATION NUMBER (PIN). This commercial item description (CID) specification sheet uses a classification system which is included in the PIN as shown in the following example (see [NOTES](#)).



SALIENT CHARACTERISTICS.

Interface and physical dimensions. Fuseholder blocks supplied to this CID specification sheet shall be as specified herein (see [figure 1](#)).

Ampere rating. The ampere rating shall be 30 A maximum for AA55518/02-001 through AA55518/02-012 and 20A maximum for AA55518/02-013 through AA55518/02-024.

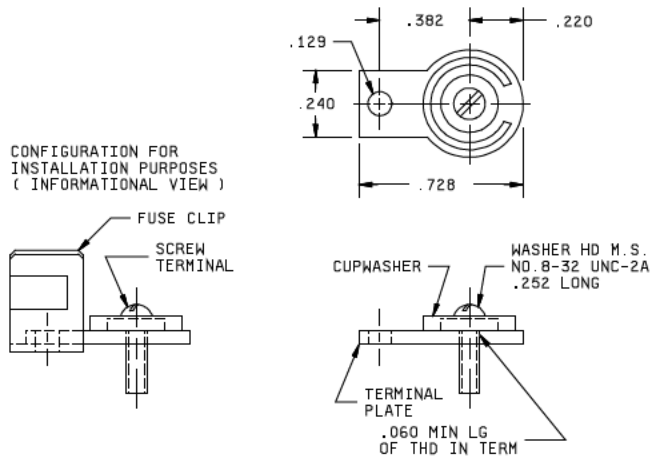
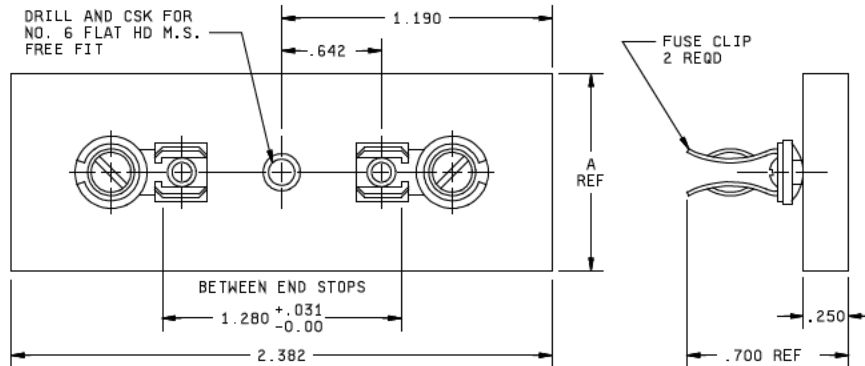
Voltage rating. The voltage rating shall be 250 V ac maximum.

Fuse accommodation. This fuseholder block accommodates 3AG or 3AB type fuse cartridges with dimensions of .25 inch x 1.25 inch (6.4 mm x 31.75 mm).

Fuseholder block base. The fuseholder block base shall be molded or laminated plastic.

Fuse clips. Fuseholder blocks AA55518/02-01 through AA55518/02-012 shall be supplied with CID number [AA55507/01-01](#) fuse clips. Fuseholder blocks AA55518/02-013 through AA55518/02-021 shall be supplied with either CID number [AA55507/01-09](#) or CID number [AA55507/01-011](#) fuse clips.

A-A-55518/2D



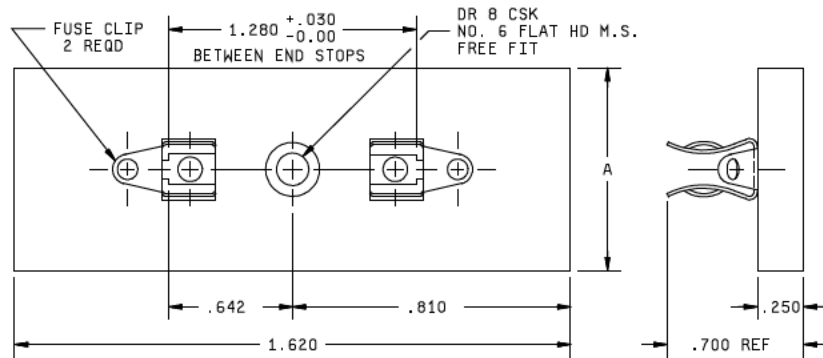
Inches	mm	Inches	mm
.031	0.78	.382	9.70
.060	1.52	.642	16.30
.129	3.28	.700	17.78
.220	5.59	.728	18.49
.240	6.10	1.190	30.23
.250	6.35	1.280	32.51
.252	6.40	2.382	60.50

NOTES:

- Dimensions are in inches.
- Unless otherwise specified, tolerance is ± 0.005 inch (0.13 mm).
- The following notes apply to width A of the fuseholder blocks (see table I).
 - The longitudinal centerline of single pole and outer pairs of fuse clips of multiple pole fuseholder blocks shall be located .39 inch (9.9 mm) from the edge of the block.
 - The distance between longitudinal centerlines of adjacent pairs of fuse clips shall be .91 inch (23.1 mm).
 - A minimum of two mounting holes shall be provided on multiple pole fuseholder blocks. These holes shall be one each centrally located between the fuse clips on the longitudinal centerline of the outer pairs of fuse clips.

FIGURE 1. Configuration and dimensions (screw terminals).

A-A-55518/2D



Inches	mm
.030	0.80
.250	6.40
.642	16.30
.700	17.80
.810	20.57
1.280	32.51
1.620	41.15

NOTES:

1. Dimensions are in inches.
2. Unless otherwise specified, tolerance is ± 0.005 inch (0.13 mm).
3. The following notes apply to width A of the fuseholder blocks (see table I).
 - a. The longitudinal centerline of single and outer pairs of fuse clips of multiple pole fuseholder blocks shall be located .39 inch (9.9 mm) from the edge of the block.
 - b. The distance between longitudinal centerlines of adjacent pairs of fuse clips shall be .91 inch (23.1 mm).
 - c. A minimum of two mounting holes shall be provided on multiple pole fuseholder blocks. These holes shall be one each centrally located between the fuse clips on the longitudinal centerline of the outer pairs of fuse clips.

FIGURE 2. Configuration and dimensions (solder lug terminal type).

A-A-55518/2D

TABLE I. Characteristics.

CID dash number AA55518/02-	Number of poles	Figure number	Dimension A
001	1	1	0.78 (19.8)
002	2		1.69 (42.9)
003	3		2.59 (65.8)
004	4		3.50 (88.9)
005	5		4.41 (112.0)
006	6		5.31 (134.9)
007	7		6.22 (158.0)
008	8		7.12 (180.0)
009	9		8.03 (204.0)
010	10		8.94 (227.1)
011	11		9.84 (249.9)
012	12		10.75 (273.1)
013	1	2	0.78 (19.8)
014	2		1.69 (42.9)
015	3		2.59 (65.8)
016	4		3.50 (88.9)
017	5		4.41 (112.0)
018	6		5.31 (134.9)
019	8		7.12 (180.8)
020	10		8.94 (227.1)
021	12		10.75 (273.1)

NOTES.

PIN. The PIN should be used for Government purposes to buy commercial products to this CID specification sheet. See the classification section for PIN format example.

Source of document.

FEDERAL SPECIFICATIONS

[A-A-55507/1](#) - Clip Electrical, Fuse, 30 and 60 Ampere for Fuse Diameters 1/4 Inch Thru 13/16 Inch.

(Copies of this document are available online at <https://assist.dla.mil/quicksearch/> or <https://assist.dla.mil> or from DLA Document Services, 700 Robbins Avenue, Building 4/D, Philadelphia, PA 19111-5094.)

A-A-55518/2D

Commercial products. As part of the market analysis and research effort, this CID specification sheet was coordinated with the following manufacturers of commercial products. At the time of CID specification sheet preparation and coordination, these manufacturers were known to have commercial products that would meet the requirements of this CID specification sheet. (NOTE: This information should not be considered as a list of approved manufacturers or be used to restrict acquisition to only the manufacturers shown.)

<u>MFR's CAGE</u>	<u>MFR's name and address</u>
71400	Cooper Bussmann, Incorporated P. O. Box 14460 St. Louis, MO 63178-4460 Phone number (636) 394-2877 Facsimile number (800) 544-2570 E-mail: mailto:fusebox@cooperindustries.com Uniform Resource Locator (URL): http://www.cooperindustries.com/content/public/en/bussmann.html
75915	Littelfuse Incorporated 8755 W. Higgins Road; Suite 500 Chicago, IL 60631-2708 Phone number (800) 999-9445 Facsimile number (847) 391-0753 E-mail: mailto:electronics@littelfuse.com URL: http://www.littelfuse.com

A-A-55518/2D

Part number (P/N) supersession data. These CID specification sheet PINs supersede the following MFR's P/N's as shown. This information is being provided to assist in reducing proliferation in the Government inventory system.

TABLE II. P/N supersession data.

CID dash number AA55518/02- (see table I)	MFR's CAGE 71400	MFR's CAGE 75915
	MFR's P/N <u>1/</u>	MFR's P/N <u>1/</u>
001	FH22AM	356001
002	FH22BM	356002
003	FH22CM	356003
004	FH22EM	356004
005	FH22GM	356005
006	FH22HM	356006
007	N/A	356007
008	FH22KM	356008
009	N/A	356009
010	FH22MM	356010
011	N/A	356011
012	FH22PM	356012
013	FH23AM	N/A
014	FH23BM	N/A
015	FH23CM	N/A
016	FH23EM	N/A
017	FH23GM	N/A
018	FH23HM	N/A
019	FH23KM	N/A
020	FH23MM	N/A
021	FH23PM	N/A

1/ The manufacturer's P/N shall not be used for acquisition to the requirements of this CID specification sheet. At the time of preparation of this CID specification sheet, the aforementioned commercial products were reviewed and could be replaced by the CID PIN shown. For actual part marking requirements, see the marking paragraph of [A-A-55518](#).

A-A-55518/2D

National stock number (NSN). The following is a list of NSN's assigned which correspond to this CID specification sheet. The list is for information only and may not be indicative of all possible NSN's associated with the CID specification sheet. For up to date information on assigned NSN's, please contact the aforementioned DLA Land and Maritime office listed in [A-A-55518](#).

TABLE III. NSN's.

Dash number (see table I) AA55518/02-	NSN	Dash number (see table I) AA55518/02-	NSN
001	N/A	012	5920-01-173-1014
002	5920-00-284-9206	013	5920-00-142-7439
003	5920-00-846-4114	014	5920-00-993-8979
004	5920-00-846-6632	015	N/A
005	5920-00-248-8882	016	N/A
006	5920-00-280-4037	017	N/A
007	N/A	018	N/A
008	5920-01-146-1290	019	N/A
009	5920-01-348-4217	020	N/A
010	5920-01-173-1013	021	N/A
011	N/A		

Changes from previous issue. Marginal notations are not used in this revision to identify changes with respect to the previous issue due to the extensiveness of the changes.

MILITARY INTERESTS:

Custodians:
Navy - EC
DLA - CC

CIVIL AGENCY COORDINATING ACTIVITY:

GSA - FAS

Preparing activity:

DLA-CC

Project 5920-2012-055

NOTE: The activities listed above were interested in this document as of the date of this document. Since organizations and responsibilities can change, you should verify the currency of the information above using the ASSIST Online database at <https://assist.dla.mil>.