

[INCH-POUND]  
 A-A-55518/1A  
 December 10, 2001  
 SUPERSEDING  
 A-A-55518/1  
 March 1, 1996

COMMERCIAL ITEM DESCRIPTION  
 SPECIFICATION SHEET

FUSEHOLDER, BLOCK, 2 AMPERES (A), 250 VOLTS (V) AC, 1 THROUGH  
 12 POLE, ACCOMMODATES 8AG TYPE FUSE CARTRIDGES

The General Services Administration has authorized the use of this  
 Commercial Item Description (CID) for all federal agencies.

The complete requirements for procuring the fuseholders described herein shall consist of this document  
 and the issue in effect of CID A-A-55518.

CLASSIFICATION. This CID uses a classification system that is included in the Part Identification  
 Number (PIN) as shown in the following example (see notes).

<u>AA55518/01</u>   ----- CID number	-	<u>001</u>   ----- Dash number (see table I)
--	---	--

SALIENT CHARACTERISTICS.

Interface and physical dimensions. Fuseholder blocks supplied to this CID shall be as specified herein  
 (see figure 1).

Ampere rating. The ampere rating shall be 2 A maximum.

Voltage rating. The voltage rating shall be 250 V ac maximum.

Fuse accommodation. This fuseholder accommodates 8AG type fuse cartridges with dimensions of .25  
 inch x 1.0 inch (6.4 mm x 25.4 mm).

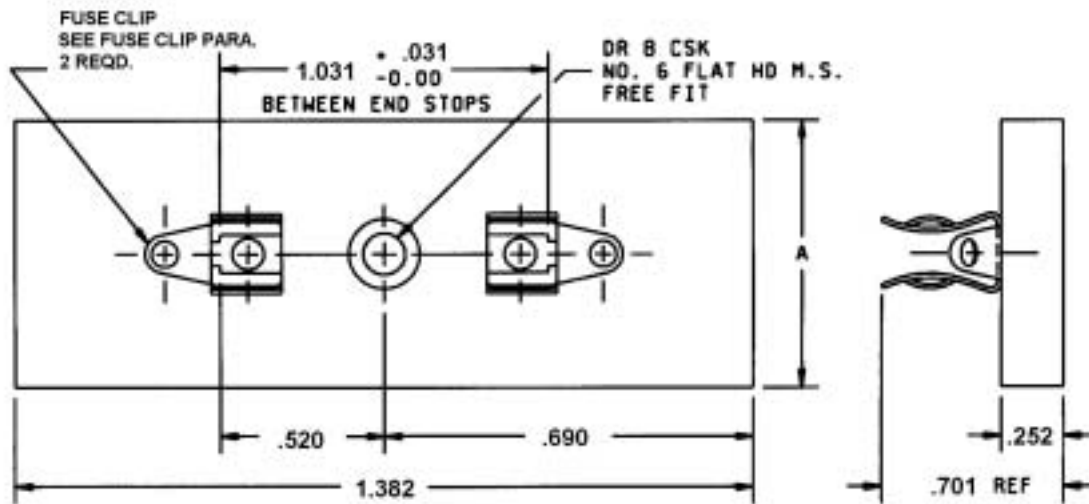
Fuseholder base. The fuseholder base shall be molded or laminated plastic.

Lug and terminal material. The lug and terminal material for AA55518/01-01 shall be brass.

Fuse clips. Fuseholders AA55518/01-001 through AA55518/01-007 shall be supplied with CID number  
 AA55507/01-09 or CID number AA55507/01-11 fuse clips.

PIN. The PIN should be used for Government purposes to buy commercial products to this CID. See  
 classification information for PIN format example.

A-A-55518/1A



Inches	mm
.031	0.80
.252	6.40
.520	13.20
.690	17.50
.701	17.80
1.031	26.20
1.382	35.10

## NOTES:

1. Dimensions are in inches.
2. Tolerance is  $\pm .005$  inch (0.13 mm), unless otherwise specified.
3. The following notes apply to width A of the fuseholders (see table I).
  - a. The longitudinal centerline of the outer pairs of fuse clips shall be located .25 inch (6.4 mm) from the edge of the fuseholder block.
  - b. The distance between longitudinal centerlines of adjacent pairs of fuse clips shall be .62 inch (15.7 mm).
  - c. A minimum of two mounting holes shall be provided on multiple pole fuseholders. These holes shall be one each centrally located between the fuse clips on the longitudinal centerline of the outer pairs of fuse clips.

FIGURE 1. Configuration and dimensions (screw terminals).

TABLE I. Characteristics.

CID dash number AA55518/01-	Number of poles	Dimension A (see figure 1)
001	1	.50 (12.70)
002	2	1.12 (28.40)
003	3	1.75 (44.40)
004	5	3.00 (76.20)
005	7	4.25 (108.00)
006	8	4.88 (124.00)
007	12	7.38 (187.40)

## NOTES.

Commercial products. As part of the market analysis and research effort, this CID was coordinated with the following manufacturers of commercial products. At the time of CID preparation and coordination, these manufacturers were known to have commercial products that would meet the requirements of this CID. (NOTE: This information should not be considered as a list of approved manufacturers or be used to restrict procurement to only the manufacturers shown.)

MFR's CAGE

71400

MFR's name and address

Cooper Bussmann, Incorporated  
P. O. Box 14460  
St. Louis, MO 63178-4460  
Phone number: (636) 394-2877  
Facsimile number: (800) 544-2570  
E-mail: fusebox@buss.com  
Uniform Resource Locator (URL): www.bussmann.com

A-A-55518/1A

Part number (P/N) supersession data. These CID part numbers supersede the following MFR's P/N's as shown. This information is being provided to assist in reducing proliferation in the Government inventory system.

TABLE II. P/N supersession data.

CID dash number AA55518/01- (see table I)	MFR's CAGE	MFR's P/N <u>1/</u>
001	71400	FH21AM
002	71400	FH21BM
003	71400	FH21CM
004	71400	FH21GM
005	71400	FH21JM
006	71400	FH21KM
007	71400	FH21PM

1/ The manufacturer's P/N shall not be used for procurement to the requirements of this CID. At the time of preparation of this CID, the aforementioned commercial products were reviewed and could be replaced by the CID P/N shown.

## MILITARY INTERESTS:

Custodians:  
Navy - EC  
DLA - CC

## CIVIL AGENCY COORDINATING ACTIVITY:

GSA - 7FXE

Preparing Activity:

DLA-CC

Project 5920-0751-01