

[METRIC]
A-A-52555
January 2, 1996
SUPERSEDING
MIL-H-13837B(ME)
9 February 1971

COMMERCIAL ITEM DESCRIPTION

HOOK, HOIST, BURTON-STYLE

The General Services Administration has authorized the use of this commercial item description (CID) for all federal agencies.

1. **SCOPE.** This CID covers a forged-steel, burton-style, hoist hook.

2. **SALIENT CHARACTERISTICS.**

2.1 **Materials.** The materials shall be carbon or alloy steel, having a minimum tensile strength of 414 kilopascals (kPa) [60,000 pounds per square inch (psi)], and a minimum yield strength of 242 kPa (35,000 psi).

2.2 **Proof load.** The hook shall sustain a steadily applied proof load of 2720 kilograms (kg) [6,000 pounds (lbs)] without permanent set or deformation, and a steadily applied minimum ultimate strength load of 6350 kg (14 000 lbs) without disengagement of the load by straightening of the hook.

2.3 **Design and construction.** The hook shall be as shown in figure 1.

2.4 **Identification and markings.** Identification and markings of the hooks shall be permanent and legible and shall include, as a minimum, the manufacturer's identification code (CAGE), the contract number, the part identification number (PIN) AA52555-1 (see 6.1), and the national stock number (NSN).

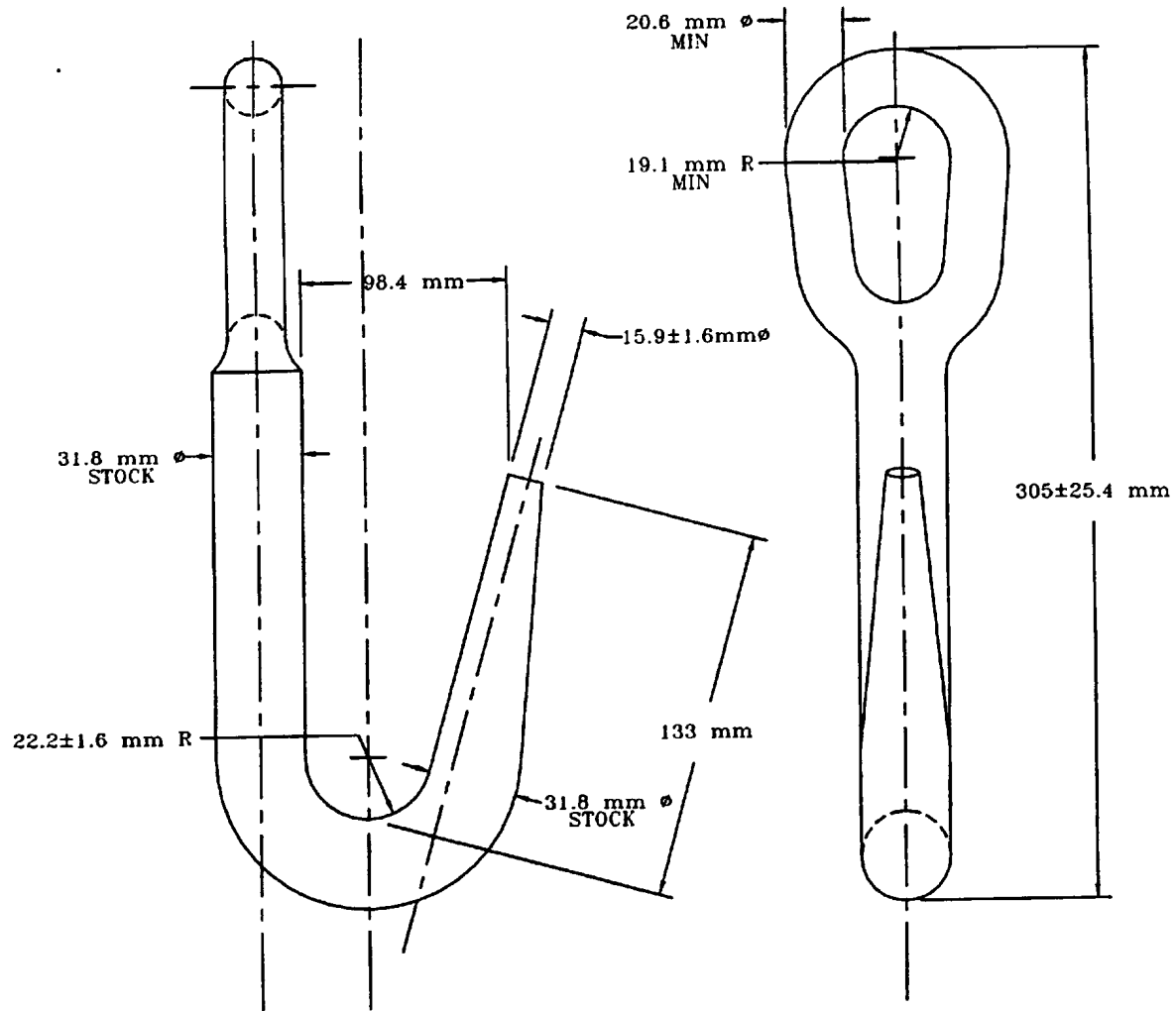
Beneficial comments, recommendations, additions, deletions clarifications, etc. and any other data which may improve this document should be sent to: U.S. Army Tank-automotive and Armaments Command, ATTN: AMSTA-TR-E/BLUE, Warren, MI 48397-5000.
--

ASMC N/A

FSC 4030

DISTRIBUTION STATEMENT A. Approved for public release; distribution is unlimited.

A-A-52555



NOTE:
ALL TOLERANCES ARE ± 3.2 mm UNLESS OTHERWISE NOTED.

FIGURE 1. Hook, hoist, burton-style.

3. REGULATORY REQUIREMENTS.

3.1 Recovered material. The offeror/contractor is encouraged to use recovered materials to the maximum extent practicable, in accordance with paragraph 23.403 of the Federal Acquisition Regulation (FAR).

3.2 Safety. This item shall comply with all applicable Occupational Safety and Health Administration (OSHA) requirements found in 29 Code of Federal Regulations (CFR).

4. QUALITY ASSURANCE PROVISIONS.

4.1 Responsibility for inspection. The contractor is responsible for the performance of all inspections and tests.

4.2 Contractor certification. The contractor shall certify and maintain substantiating evidence that the product offered meets the salient characteristics of this CID and that the product conforms to the producer's own drawings, specifications, workmanship standards, and quality assurance practices. Items with known defects shall not be submitted for Government acceptance. The Government reserves the right to require proof of such conformance prior to the first delivery and thereafter as may be otherwise provided for under the provisions of the contract.

5. PACKING. Preservation, packing, and marking shall be as specified in the contract (see 6.1).

6. NOTES

(This section contains information of a general or explanatory nature that may be helpful, but is not mandatory.)

6.1 Ordering data. Acquisition documents must specify the following:

- a. Title, number, and date of this CID.
- b. Issue of DODISS to be cited in the solicitation.
- c. PIN and quantity of hooks required.
- d. Selection of applicable level and packaging requirements.

6.2 Addresses for obtaining copies of referenced documents.

6.2.1 Government documents. The Code of Federal Regulations (CFR) may be obtained from the Superintendent of Documents, U.S. Government Printing Office, Washington DC 20402.

A-A-52555

6.3 Cross-reference data. Hooks conforming to this CID are interchangeable/substitutable with hooks conforming to MIL-H-13837B (ME).

MILITARY INTERESTS:

Custodians:

Army - AT

CIVIL AGENCY COORDINATING ACTIVITY:

GSA - FSS

PREPARING ACTIVITY:

Army - AT

(Project 4030-0276)