

INCH-POUND

A-A-52543

December 12, 1995

SUPERSEDING

MS53034A

5 November 1963

COMMERCIAL ITEM DESCRIPTION

FIFTH WHEEL ASSEMBLY-36 INCH UNIVERSAL, TRUCK-TRACTOR, 45000 LBS. CAPACITY

The General Services Administration has authorized the use of this Commercial Item Description (CID) for all federal agencies.

1. SCOPE. This CID covers requirements for a fifth wheel assembly used in coupling a truck-tractor to a trailer.

2. SALIENT CHARACTERISTICS

2.1 Material. The materials shall be in accordance with the manufacturer's material specifications for fifth wheels. The use of recovered material made in compliance with regulatory requirements is acceptable providing that all requirements of this CID are met (see 5.4).

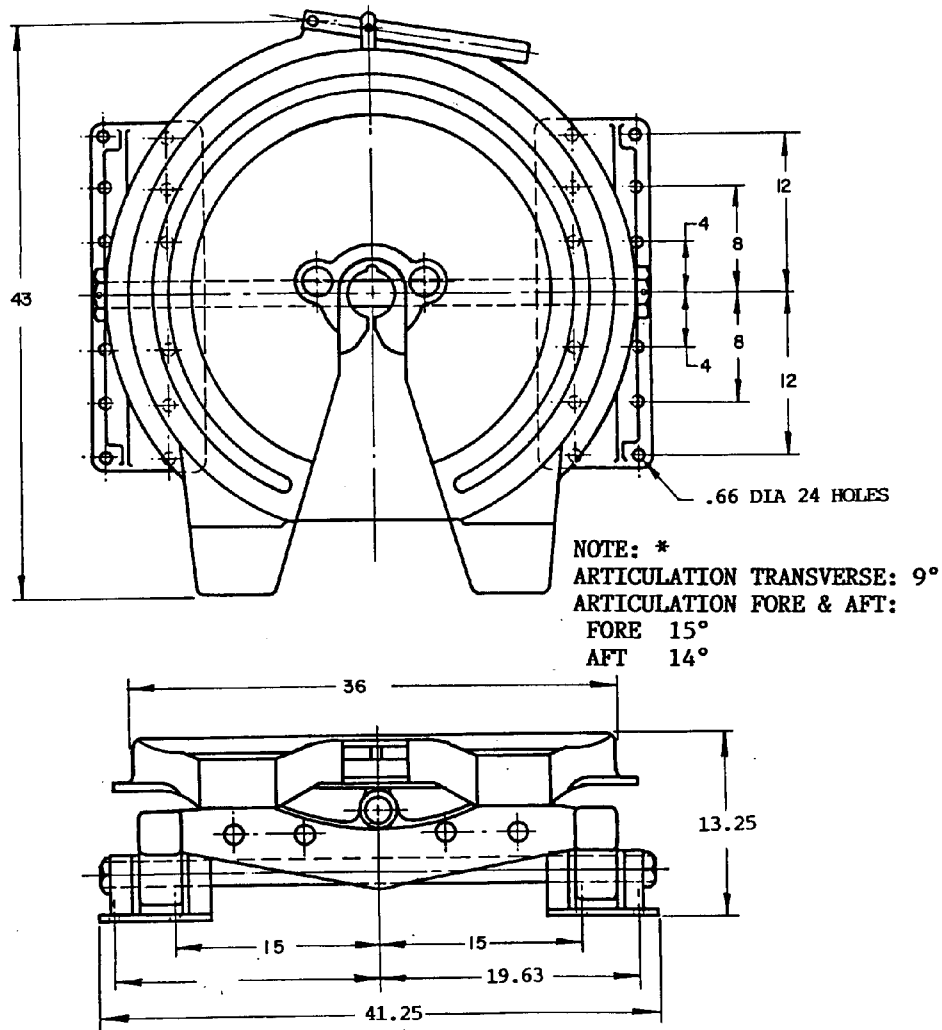
2.2 Design and construction. The fifth wheel assembly shall be designed and constructed in accordance with figure 1.

Beneficial comments, recommendations, additions, deletions clarifications, etc. and any other data which may improve this document should be sent by letter to: U.S. Army Tank-automotive and Armaments Command, ATTN: AMSTA-TR-E/BLUE, Warren, MI 48397-5000.

FSC 2510

DISTRIBUTION STATEMENT A. Approved for public release; distribution is unlimited.

A-A-52543



NOTES:

1. Fifth wheel assembly requires use of 3 ½ inch kingpin as shown in A-A-52479.
2. Dimensions are in inches. Unless otherwise specified, tolerances are $\pm .06$.
3. This CID is not intended to limit construction to features other than specified herein, by dimensions, notations, or referenced documents.
4. The use of asterisks (*) indicates that dimensions are covered by international agreement (see 5.5).

FIGURE 1. Fifth wheel assembly.

A-A-52543

2.3 Identification and markings. Identification and markings of the fifth wheel assemblies shall be permanent and legible and shall include, as a minimum, the manufacturer's identification code (CAGE), the manufacturer's part number, and the part identification number (PIN) AA52543-1 (see 5.2).

3. QUALITY ASSURANCE PROVISIONS

3.1 Responsibility for inspection. The contractor is responsible for the performance of all inspections (examinations and tests).

3.2 Contractor certification. The contractor shall certify and maintain substantiating evidence that the product offered meets the salient characteristics of this commercial item description and that the product conforms to the producer's own drawings, specifications, workmanship standards, and quality assurance practices. Items with known defects shall not be submitted for Government acceptance. The Government reserves the right to require proof of such conformance prior to the first delivery and thereafter as may be otherwise provided for under the provisions of the contract.

4. PRESERVATION, PACKAGING, PACKING, LABELING, AND MARKING.

Preservation, packaging, packing, labeling, and marking for the desired level shall be as specified in the contract (see 5.2).

5. NOTES

(This section contains information of a general or explanatory nature that may be helpful, but is not mandatory.)

5.1 Addresses for obtaining copies of referenced documents

5.1.1 Government documents. Copies of A-A-52479 "Kingpin, Fifth Wheel 3 1/2 Inch" are available from the Standardization Document Order Desk, 700 Robbins Avenue, Building 4D, Philadelphia, PA 19111-5094.

5.2 Ordering data. Acquisition documents must specify the following:

- a. Title, number, and date of this CID.
- b. Issue of the DODISS to be cited in the solicitation.
- c. PIN number and quantity of fifth wheel assemblies required.
- d. Selection of applicable level and packaging requirements.

A-A-52543

5.3 Cross-reference data. Fifth wheel assemblies conforming to this CID are interchangeable/substitutable with fifth wheel assemblies conforming to MS53034A.

5.4 Regulatory requirements. The offeror/contractor is encouraged to use recovered materials in accordance with Public Law 94-580 to the maximum extent practicable.

5.5 International standardization agreement. Certain provisions of this CID (see figure 1) are the subject of international standardization agreement QSTAG 284 and NATO-STANAG 4009. When amendment, revision, or cancellation of this CID is proposed that will modify the international agreement concerned, the preparing activity will take appropriate action through international channels, including departmental standardization offices, to change the agreement or make other appropriate accommodations.

MILITARY INTERESTS:

Custodians:

Army - AT
Navy - MC
Air Force - 99

CIVIL AGENCY COORDINATING ACTIVITY:

GSA - FSS

PREPARING ACTIVITY:

Army - AT

(Project 2510-0134)