

[METRIC]  
A-A-52496  
August 3, 1994  
SUPERSEDING  
MS500038A  
16 February 1978

## COMMERCIAL ITEM DESCRIPTION

### HOOK, TOWING: MEDIUM (FOR VEHICLES 13 TO 36 METRIC TONNES) (METRIC)

The General Services Administration has authorized the use of this Commercial Item Description (CID) for all federal agencies.

1. SCOPE. This CID covers the requirements for a medium towing hook which is used for towing vehicles weighing 13 to 36 metric tonnes. The hook interfaces with towing lug which is attached to the vehicle to be towed.

#### 2. SALIENT CHARACTERISTICS

2.1 Materials. Materials shall be made of forging alloy steel in accordance with Unified Numbering System (UNS) H41400 to H41500, H43370, H43400, H51400 to H51500, H86400 to H86500, H87400, and H87420. The use of recovered materials made in compliance with regulatory requirements is acceptable providing that all requirements of this CID are met (see 5.5).

2.2 Heat treatment. The hooks shall be quenched, tempered, and hardened to 271-327 Brinell Hardness Number (BHN).

2.3 Design and construction. Hooks shall be designed and constructed in accordance with figure 1 or suitable interchangeable towing hook.

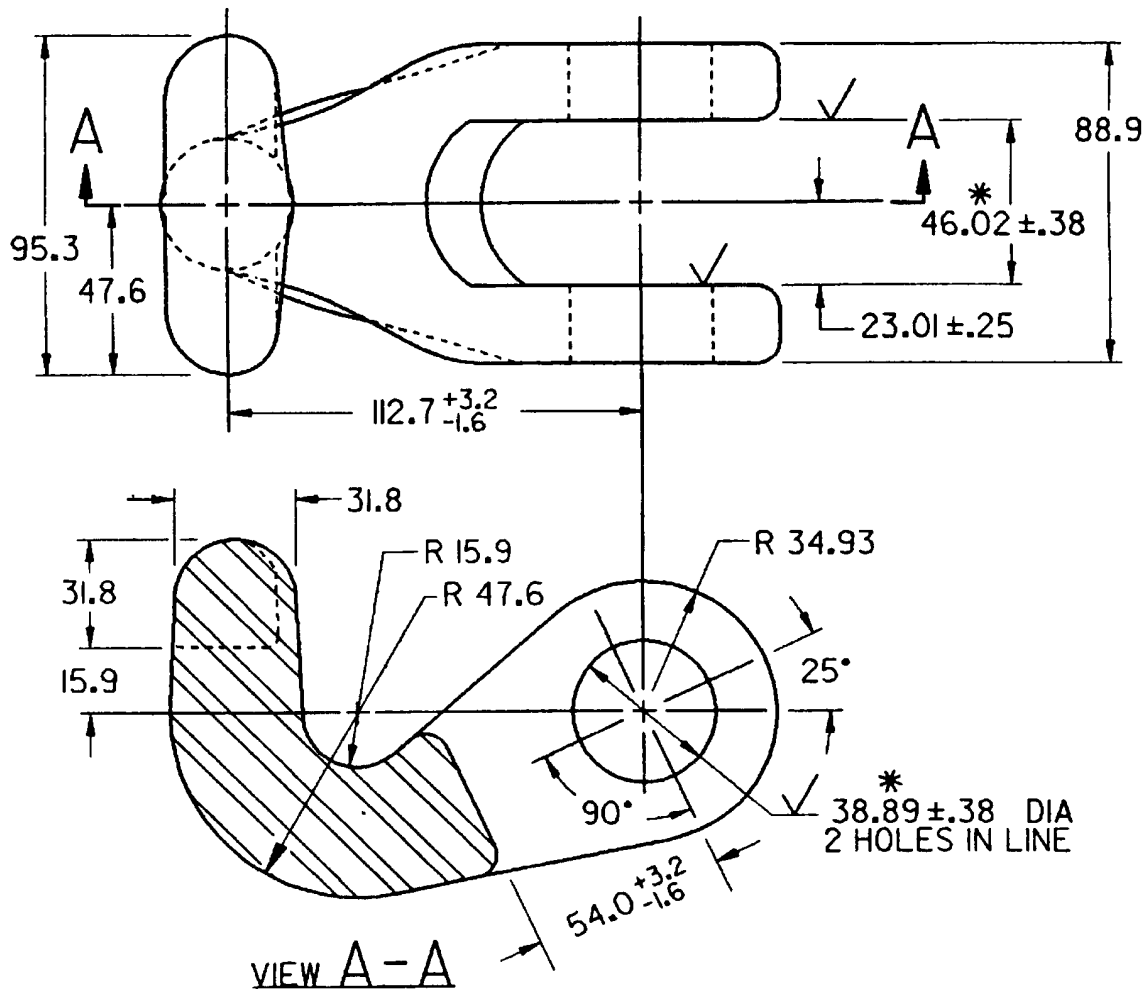
2.4 Finish. The hooks shall be finish treated in accordance with Chemical Agent Resistant Coating (CARC) painting procedure specified in Army Drawing 12369003. The top coat color shall be green 383.

Beneficial comments, recommendations, additions, deletions clarifications, etc. and any other data which may improve this document should be sent by letter to: U.S. Army Tank-automotive Command, ATTN: AMSTA-GLC, Warren, MI 48397-5000.
--

FSC 2540

DISTRIBUTION STATEMENT A. Approved for public release; distribution is unlimited.

A-A-52496



PIN	Former MS Part no.	Former Part no.
A52496-1	MS500038-1	7068219

## NOTES:

1. Dimensions are in millimeters. Unless otherwise specified, forging tolerance is  $\pm 1.6$  and maximum draft angle is  $7^\circ$ .
2. All machined surfaces shall be 3.2 micrometers where roughness symbol  $\nabla$  is shown. All burrs and sharp edges shall be removed.
3. The use of asterisks (\*) indicates international interests (see 5.4).

FIGURE 1. Hook towing.

A-A-52496

2.5 Identification and marking. Identification and marking shall be permanent and legible and as a minimum shall include the part identification number (PIN), A52496-1, the manufacturer's CAGE code (or equivalent identification), the manufacturer's part number, a steel heat code and foundry trademark.

### 3. QUALITY ASSURANCE PROVISIONS

3.1 Responsibility for inspection. The contractor is responsible for the performance of all inspections (examinations and tests).

3.2 Contractor certification. The contractor shall certify and maintain substantiating evidence that the product offered meets the salient characteristics of this CID and that the product conforms to the producer's own drawings, specifications, workmanship standards, and quality assurance practices. Items with known defects shall not be submitted for Government acceptance. The Government reserves the right to require proof of such conformance prior to the first delivery and thereafter as may be otherwise provided for under the provisions of the contract.

4. PRESERVATION, PACKAGING, PACKING, LABELING, AND MARKING. Preservation, packaging, packing, labeling and marking for the desired level shall be as specified in the contract (see 5.2).

5. NOTES. (This section contains information of a general or explanatory nature that may be helpful, but is not mandatory.)

5.1 Addresses for obtaining copies of Army drawing. Copies of Army Drawing 12369003 "Paint Systems for Steel, Exterior Surfaces, Green 383" are available from the Contracting Officer, U.S. Army Tank-Automotive and Command, Warren, MI 48397-5000.

5.2 Ordering data. Acquisition documents must specify the following:

- a. Title, number, and date of this CID.
- b. PIN and quantity required.
- c. Selection of applicable level and packaging requirements.
- d. Issue of Department of Defense Index of Specifications and Standards (DoDISS) to be cited in the solicitation, and if required, the specific issue of individual documents referenced.

5.3 Cross reference data. Hooks acquired to this CID are substitutable/interchangeable with hooks conforming to MS500038A.

5.4 International standardization agreements. Figure 1 dimensions marked with an asterisk (\*) are congruent with corresponding dimensions for the MS500004 towing lug which is the subject of international standardization agreements North Atlantic Treaty Organization 4019 and American, British, Canadian - Army-STD-132. When amendment, revision, or cancellation of this CID is proposed that will modify the international agreement concerned, the preparing activity will take appropriate action through international standardization channels, including departmental standardization offices, to change the agreement or make other appropriate accommodations.

A-A-52496

5.5 Regulatory requirements. The offeror/contractor is encouraged to use recovered materials in accordance with Public Law 94-580 to the maximum extent practicable.

MILITARY INTERESTS:

Custodian

Army – AT

Review Activity

DLA – CS

User Activity

Navy - MC

CIVIL AGENCY COORDINATING ACTIVITY:

GSA-FSS

PREPARING ACTIVITY:

Army – AT

(Project 2540-0409)