

[INCH-POUND]
A-A-52402A
19 August 2013
SUPERSEDING
A-A-52402
10 July 1992

COMMERCIAL ITEM DESCRIPTION

GUARD, SPLASH, WHEEL

The General Services Administration has authorized the use of this commercial item description for all federal agencies.

1. **SCOPE.** This commercial item description (CID) covers the general requirements for guard, splash, wheel. Guard, splash, wheel covered by this CID are intended for commercial/industrial applications.
2. **CLASSIFICATION/PART OR IDENTIFICATION NUMBER (PIN).** This CID uses a classification system which is included in the PIN as shown in the following example (see 7.1).

<u>AA52402</u>	-	<u>001</u>
—		—
CID		Size
number		code
		(See table I)

3. SALIENT CHARACTERISTICS.

3.1 Interface and physical dimensions. Guard, splash, wheel supplied to this CID shall be as specified herein (see figure 1).

3.2 Materials. The splash guard shall be made of natural rubber, synthetic rubber, or a mixture of reclaimed rubber and reinforcing fabric. The fabric shall be good quality cotton, nylon, or equivalent material. The fabric shall be in woven layers or cords mixed homogeneously throughout the entire compound.

Beneficial comments, recommendations, additions, deletions, clarifications, etc., and any data that may improve this document should be sent to: DLA Land and Maritime, ATTN: VAI, P.O. Box 3990, Columbus OH 43218-3990, or email fluidflow@dla.mil. Since contact information can change you may want to verify the currency of the address information using the ASSIST Online database at <https://assist.dla.mil>.

A-A-52402A

3.2.1 Appearance. Both faces of the splash guard shall be rubber. All edges shall be molded and sealed. The color shall be black.

3.3 Design and construction.

3.3.1 Dimensions. Dimensions of the splash guard shall be as specified in table I.

TABLE I. Dimensions.

Part or Identifying Number (PIN)	Dimension	
	A	B
A52402-1	12	18
A52402-2	16	38
A52402-3	24	36
A52402-4	24	40
A52402-5	24	48
A52402-6	24	30

3.3.2 Mounting. The splash guard shall have four elongated or holes as shown on figure 1.

3.4 Performance.

3.4.1 Tensile strength. The tensile strength of the material shall be not less than 1,000 pounds per square inch (psi) when tested in accordance with ASTM D412.

3.4.2 Elongation. The ultimate elongation shall be not less than 200 percent when tested in accordance with ASTM D412.

3.4.3 Ozone resistance. Rubber specimens shall not show evidence of cracking following exposure for 7 days (168 hours) to an atmosphere with an ozone concentration of 50 parts ozone per 100,000,000 parts air by volume at a temperature of 104 degrees Fahrenheit (°F) when tested in accordance with ASTM D573.

3.4.4 Accelerated aging. After accelerated aging for a period of 16 hours in an air medium at atmospheric pressure and a temperature of $212 \pm 2^{\circ}\text{F}$, the material shall have a tensile strength and elongation of not less than 70 percent of the unaged values when tested in accordance with ASTM D573.

3.4.5 Low temperature brittleness. Specimens prepared from the basic rubber material shall not become brittle at a temperature of $-40^{\circ}\text{F} \pm 4^{\circ}\text{F}$. Failure shall be defined as the occurrence of cracks, fissures, crazing, or rupture when tested in accordance with ASTM D2137.

3.4.6 Hardness. The durometer hardness number of the material shall be not less than 60 when tested in accordance with ASTM D2240.

3.4.7 Flexibility. The splash guard shall be folded in the middle along its length with a weight of 100 pounds applied to the fold for a period of 5 minutes. The weight shall be placed on a board not less than 12 inches long with the weight resting on the central 12 inches of the fold. Splash guard shall not crack or show any evidence of failure.

3.5 Marking. Guard, splash, wheel supplied to this CID shall be marked with the manufacturer's (MFR's) standard commercial PIN. (NOTE: The part number marked on the unit pack shall be the CID PIN.)

3.6 Recycled, recovered, or environmentally preferable materials. Recycled, recovered, or environmentally preferable materials should be used to the maximum extent possible provided that the material meets or exceeds the operational and maintenance requirements, and promotes economically advantageous life cycle costs.

A-A-52402A

3.7 Workmanship. Guard, splash, wheel shall be processed in such a manner as to be uniform in quality and shall be free from other defects that will affect life, serviceability, or appearance.

4. REGULATORY REQUIREMENTS. The offeror/contractor is encouraged to use recovered materials to the maximum extent practicable, in accordance with 23.403 of the Federal Acquisition Regulation (FAR).

5. PRODUCT CONFORMANCE PROVISIONS.

5.1 Product conformance. The products provided shall meet the salient characteristics of this CID, conform to the producer's own drawings, specifications, standards, and quality assurance practices, and be the same product offered for sale in the commercial market. The Government reserves the right to require proof of such conformance.

5.2 Certification. Certification must be done with the procuring activity approval. The contractor shall certify that the product offered meets the salient characteristics of the description and conforms to the producer's own drawings, specifications, standards, and quality assurance practices, and is the same as the product offered for sale in the commercial marketplace. The government reserves the right to require proof of such conformance prior to first delivery and thereafter as may be otherwise provided for under the provisions of the contract

6. PACKAGING. Preservation, packing, and marking shall be as specified in the contract or order.

7.0 NOTES

7.1 PIN. The PIN should be used for Government purposes to buy commercial products to this CID. See section 2 for PIN format example.

7.2 Environmentally preferable material. Environmentally preferable materials should be used to the maximum extent possible to meet the requirements of this specification. As of the dating of this document, the U.S. Environmental Protection Agency (EPA) is focusing efforts on reducing 31 priority chemicals. The list of chemicals and additional information is available on their website <http://www.epa.gov/osw/hazard/wastemin/priority.htm>. Included in the EPA list of 31 priority chemicals are cadmium, lead, and mercury. Use of these materials should be minimized or eliminated unless needed to meet the requirements specified herein (see Section 3).

7.3 Commercial and Government Entity (CAGE) code. For ordering purposes, inventory control, and submission of these guard, splash, wheel to DLA Land and Maritime under the Military Parts Control Advisory Group (MPCAG) evaluation program, CAGE code 58536 should be used.

7.4 Source of documents

FEDERAL REGULATIONS

FAR – Federal Acquisition Regulations (FAR)

(Copies of these documents are available online at www.acquisition.gov/comp/far/index.html or from the U.S. Government Printing Office, 732 North Capital Street, NW, Washington D.C. 20401.)

A-A-52402A

Other Publications

ASTM INTERNATIONAL

- ASTM D412 - Standard Test Methods for Vulcanized Rubber and Thermoplastic Elastomers—Tension
- ASTM D573 - Standard Test Method for Rubber—Deterioration in an Air Oven
- ASTM D2137 - Standard Test Methods for Rubber Property—Brittleness Point of Flexible Polymers and Coated Fabrics
- ASTM D2240 - Standard Test Method for Rubber Property—Durometer Hardness

(Copies of these documents are available online at <http://www.astm.org> or from the ASTM International, P.O. Box C700, 100 Barr Harbor Drive, West Conshohocken, PA 19428-2959.)

(Industry association specifications and standards are generally available for reference from libraries. They are also distributed among technical groups and using Federal agencies.)

7.5 Ordering data. The contract or order should specify the following:

- a. CID document number, revision, and CID PIN.
- b. Product conformance provisions.
- c. Packaging requirements.

7.6 Commercial products. As part of the market analysis and research effort, this CID was coordinated with the following manufacturers of commercial products. At the time of CID preparation and coordination, these manufacturers were known to have commercial products that would meet the requirements of this CID. (NOTE: This information should not be considered as a list of approved manufacturers or be used to restrict acquisition to only the manufacturers shown.)

<u>MFR's CAGE</u>	<u>MFR's name and address</u>
4V314	SUPPLYCORE INC., DIV HEADQUARTERS 303 N MAIN ST STE 800 ROCKFORD, IL 61101-1199 Steve Cotone steve.cotone@supplycore.com Tel: (815) 997-1633 Peter Provenzano peter.provenzano@supplycore.com Tel: (815) 964-7940
6K404	BASIC RUBBER AND PLASTICS CO. 8700 BOULDER CT WALLED LAKE, MI 48390-4104 David Smith david@basicrubber.com Tel: (248) 360-7400 DEB ISAACSON deb@basicrubber.com Tel: (248) 360-7400

A-A-52402A

6A252

MIDWEST FIBERGAS FABRICATORS, INC.
 1796 S PARKER RD
 MARINE CITY, MI 48039-2337
 Anthony M. Simon
fabfiber@aol.com
 Tel: (810) 765-7445

7.7 Part number (P/N) supersession data. These CID PINs supersede the following MFR's P/N's as shown in table II. This information is being provided to assist in reducing proliferation in the Government inventory system.

TABLE II. Supersession data.

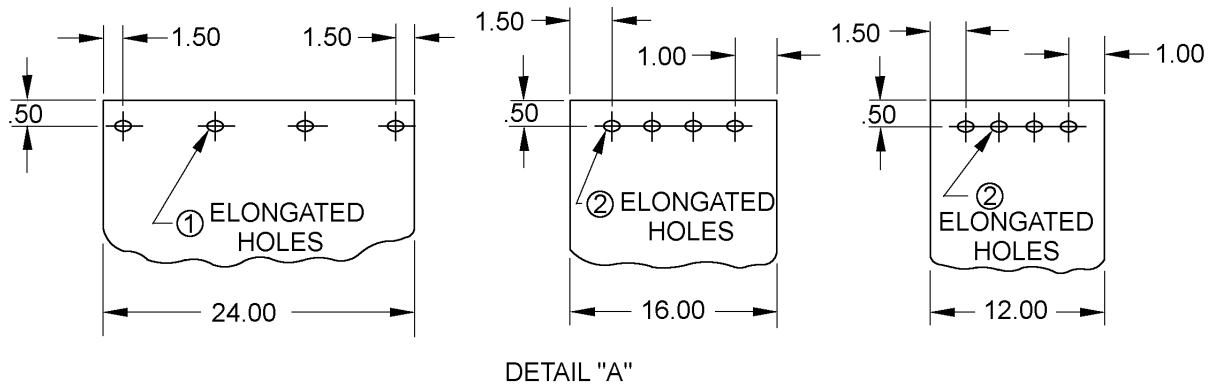
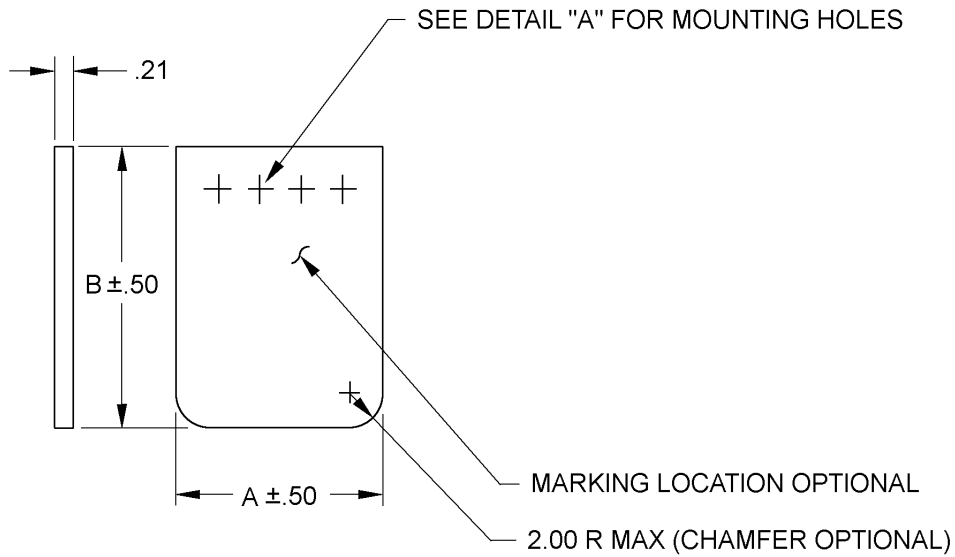
PIN	Former MS PIN
A52402-1	MS51331-1
A52402-2	MS51331-2
A52402-3	MS51331-3
A52402-4	MS51331-4
A52402-5	MS51331-5
A52402-6	MS51331-6

7.8 Government users. To acquire information on obtaining these pads, cushioning: personnel-protection, vehicular (metric) from the Government inventory system, contact DLA Land and Maritime, ATTN DLA Land and Maritime Call Center (-NAB), P.O. Box 3990, Columbus, OH 43218-3990 or telephone (614) 692-2271 or (614) 692-3191.

7.9 Legacy. This commercial item description is a replacement for MIL-G-23621 and MS51331 for all federal agencies (MIL-G-23621B is canceled as of 10-JUL-1992 and copies of these documents are available online at <http://quicksearch.dla.mil> or from the DLA Document Services Order Desk, 700 Robbins Avenue, Building 4D, Philadelphia, PA 19111-5094). See table 2 below.

7.10 Changes from previous issue. Marginal notations are not used in this revision to identify changes with respect to the previous issue due to the extensiveness of the changes.

A-A-52402A



NOTES:

1. Four evenly spaced holes for $3/8 \pm 1/16$ in. diameter bolts with 200% elongation.
2. Four evenly spaced holes for $5/16 \pm 1/16$ in. diameter bolts with 100% elongation.
3. Dimensions are in inches.
4. Unless otherwise specified, tolerances are $\pm .06$.

FIGURE 1. Guard, splash, wheel.

A-A-52402A

MILITARY INTERESTS

Custodians:

Army - AT
Navy - YD
Air Force - 99
DLA - CC

Review activities:

Army-AR
Navy – MC, SA
Air Force - 71

CIVIL AGENCY COORDINATING ACTIVITY:

GSA - FSS

Preparing activity:

DLA - CC

Project 2540-2012-001

NOTE: The activities listed above were interested in this document as of the date of this document. Since organizations and responsibilities can change, you should verify the currency of the information above using the ASSIST Online database at <https://assist.dla.mil>.