

INCH-POUND

A-A-50451A
9 August 2011
 SUPERSEDING
 A-A-50451
 24 January 1992

COMMERCIAL ITEM DESCRIPTION

LAMP, INCANDESCENT, RP-11, BAYONET CANDELABRA, DOUBLE CONTACT

The General Services Administration has authorized the use of this commercial item description for all federal agencies.

1. **SCOPE.** This commercial item description (CID) covers RP-11 incandescent lamps with a double contact bayonet candelabra base. These lamps can be identified by the industry numbers specified in the notes section herein.

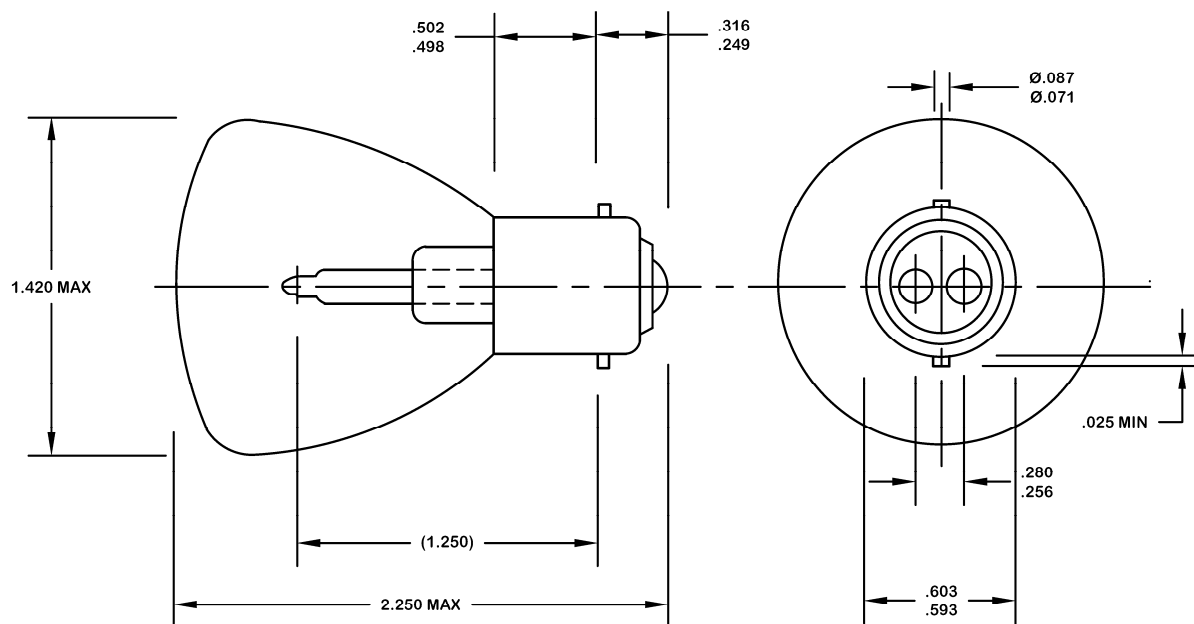
2. SALIENT CHARACTERISTICS

2.1 Physical characteristics. The lamps shall conform to figure 1 and the following physical characteristics:

Bulb designation	RP-11
Bulb finish	Clear
Base designation	Bayonet candelabra, double contact
Filament type	(See functional characteristics)
Burn position	Base down to horizontal, except A50451-7, which can burn at any position
Dimensions	(See figure 1)

<p>Beneficial comments, recommendations, additions, deletions, clarifications, etc. and any data that may improve this document should be sent to: STDZNMGT@dla.mil or Defense Logistics Agency Aviation VEB, 8000 Jefferson Davis Highway, Richmond, VA 23297-5616. Since contact information can change, you may want to verify the currency of this address information using the ASSIST database at https://assist.daps.dla.mil/.</p>
--

A-A-50451A

FIGURE 1. Lamp dimensions (inches).

2.2 Functional characteristics. The lamps shall conform to the functional characteristics of table I.

TABLE I. Functional characteristics.

CID part number	Mean spherical candlepower	Volts	Amps	Filament type	Life hours (avg.)
A50451-1	50	5.5	6.25	C-2V	100
A50451-2	32	6.2	3.91	C-2R	200
A50451-3	32	32.0	0.74	C-2V	100
A50451-4	32	12.5	1.98	C-2R	400
A50451-5 ¹	32/32	6.0/6.0	3.87/3.87	C-2V	125/125
A50451-6	50	12.5	3.04	C-2V	300
A50451-7 ¹	32/32	12.5/12.5	1.92/1.92	C-2R	300/300

¹ CID part numbers A50451-5 and A50451-7 contain two filaments.

3. REGULATORY REQUIREMENTS

3.1 Recovered materials. The offeror/contractor is encouraged to use recovered materials to the maximum extent practicable, in accordance with paragraph 23.403 of the Federal Acquisition Regulation (FAR).

A-A-50451A

4. PRODUCT CONFORMANCE PROVISIONS

4.1 Product conformance. The products provided shall meet the salient characteristics of this CID, conform to the producer's own drawings, specifications, standards, and quality assurance practices, and be the same product offered for sale in the commercial marketplace. The government reserves the right to require proof of such conformance.

4.2 Market acceptability. The products offered must have been previously sold either to the government or on the commercial market.

5. PACKAGING

5.1 Preservation, packing, and marking. Preservation, packing, and marking shall be as specified in the acquisition order (see 6.2(b)).

6. NOTES

6.1 Source of document.

6.1.1 FAR. The FAR may be obtained from the Superintendent of Documents, P.O. Box 371954, Pittsburgh, PA 15250-7954. Electronic copies may be obtained from <https://www.acquisition.gov/far/>.

6.2 Ordering data. The acquisition order should specify the following information:

- a. CID document number, revision, and CID part number.
- b. Preservation, packing, and marking (see 5.1).

6.3 Subject term (key word) listing.

Bulb
Filament

A-A-50451A

6.4 Cross-reference data. Table II contains cross-reference data for the part number information for this CID.

TABLE II. Cross reference to specification-based part numbers.

CID part number	MS part number	Industry number
A50451-1	MS15564-1	1184
A50451-2	MS15564-2	1136
A50451-3	MS15564-3	1054
A50451-4	MS15564-4	1144
A50451-5	MS15564-5	1000
A50451-6	MS15564-6	1196
A50451-7	MS15564-7	1124

MILITARY INTERESTS:

Custodians:

Army - CR4
Navy - SH
Air Force - 99
DLA - GS

Review Activities:

Air Force - 71
DLA - IS

CIVIL AGENCY
COORDINATING ACTIVITY:

GSA - FAS

Preparing Activity:

DLA - GS2

(Project 6240-2011-003)

NOTE: The activities listed above were interested in this document as of the date of this document. Since organizations and responsibilities can change, you should verify the currency of the information above using the ASSIST database at <https://assist.daps.dla.mil/>.