

INCH-POUND

A-A-50451

24 January 1992

COMMERCIAL ITEM DESCRIPTION

LAMP, INCANDESCENT, RP-11,
BAYONET CANDELABRA, DOUBLE CONTACT

The General Services Administration has authorized the use of this commercial item description as a replacement for MS15564 which is canceled.

Abstract. This commercial item description covers RP-11 incandescent lamps with a double contact bayonet candelabra base. These lamps can be identified by the industry numbers specified in the notes section herein.

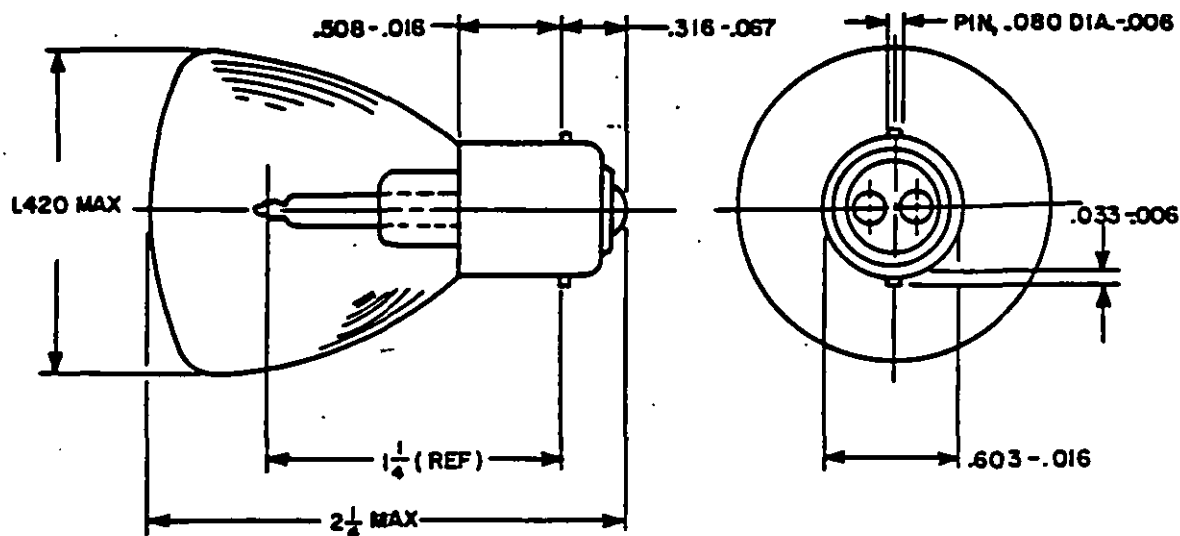


FIGURE 1. Lamp dimensions (inches).

Beneficial comments, recommendations, additions, deletions, clarifications, etc. and any other data which may improve this document should be sent by letter to: Commander, Naval Sea Systems Command, Attn: 5523, Washington, DC 20362-5101.

AMSC N/A

FSC 6240

DISTRIBUTION STATEMENT A. Approved for public release; distribution is unlimited.

A-A-50451

Salient characteristics.1. Physical.

Bulb designation	RP-11
Bulb finish	Clear
Base designation	Bayonet candelabra, double contact
Filament type	(See lamp characteristics)
Burn position	Base down to horizontal, except A50451-7 which can burn any position
Dimensions	(See figure 1)

2. Lamp characteristics.

CID PART NUMBER	CANDLE POWER	DESIGN VOLTS	DESIGN AMPS	FILA- MENT TYPE	AVG. LIFE (HOURS)
A50451-1	50	5.5	6.25	C-2V	100
A50451-2	32	6.2	3.91	C-2R	200
A50451-3	32	32.0	0.74	C-2V	100
A50451-4	32	12.5	1.98	C-2R	400
A50451-5	32 ± 7%	6.2	3.87 ± 4%	2C-2V	125
A50451-6	50	12.5	3.04	C-2V	300
A50451-7	32	12.5	1.92	2C-2R	300

Contractor certification. The contractor shall certify and maintain substantiating evidence that the product offered meets the salient characteristics of this Commercial Item Description and that the product conforms to the producer's own drawings, specifications, standards, and quality assurance practices. The government reserves the right to require proof of such conformance prior to first delivery and thereafter as may be otherwise provided for under the provisions of the contract.

Regulatory requirements. The offeror/contractor is encouraged to use recovered materials in accordance with Public Law 94-580 to the maximum extent practical.

A-A-50451

Preservation, packaging, packing, labeling, and marking. Preservation, packaging, packing, labeling, and marking shall be as specified in the contract or order.

Notes.

1. Ordering data. Purchaser should specify the following:
 - (a) Title, number, and date of this commercial item description.
 - (b) CID part number required (see salient characteristics).

2. Cross reference to specification-based part numbers.

CID PART NUMBER	MS PART NUMBER	INDUSTRY NUMBER
A50451-1	MS15564-1	1184
A50451-2	MS15564-2	1134
A50451-3	MS15564-3	1054
A50451-4	MS15564-4	1144
A50451-5	MS15564-5	1000
A50451-6	MS15564-6	1196
A50451-7	MS15564-7	1124

MILITARY INTERESTS:

Custodians

Army - ME
 Navy - SH
 Air Force - 99

Preparing activity:

Navy - SH
 (Project 6240-1261)

Review activities

Air Force - 82
 DLA - GS