

[METRIC]

A-A-2807

October 13, 1992

COMMERCIAL ITEM DESCRIPTION

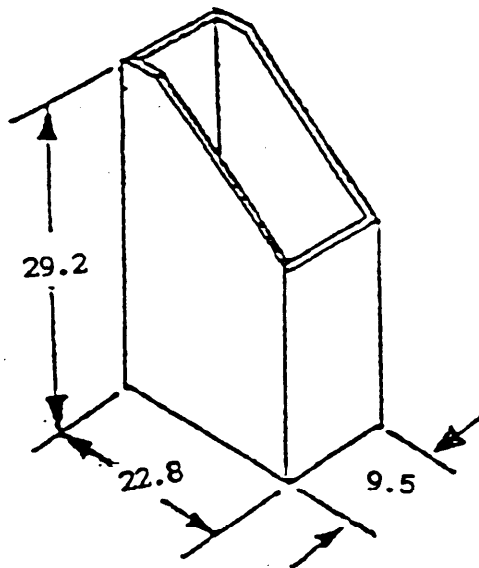
BOX, FILE

The General Services Administration has authorized the use of this commercial item description by all Federal agencies.

This description covers box, file, intended for filing magazines, pamphlets, reports, bulletins, and similar material.

1. SALIENT CHARACTERISTICS:

- A. Box shall be made of boxboard or similar material.
- B. Shape of box shall be as shown in the diagram. Dimensions not shown are at the manufacturer's option.
- C. Box shall have minimum inside dimensions of 9.5 centimeter <cm> (3-3/4") wide, 22.8 cm (9") deep, and 29.2 cm (11-1/2") high.
- D. Box shall be one that is already being sold in the commercial market.



NOTE: Dimensions shown are minimum inside dimensions in centimeters.

| DISTRIBUTION STATEMENT A : Approved for |
| public release; distribution is unlimited. |

FSC 7520

A-A-2807

E. ~~Workmanship~~. The box shall be free from any defects which affect appearance, serviceability or present a hazard to the end user.

2. RECOVERED MATERIALS:

The manufacturer shall utilize recovered materials in accordance with Public Law 94-580 to the maximum extent practicable.

3. QUALITY ASSURANCE:

Responsibility for Inspection - Unless otherwise specified in the contract or purchase order, the supplier is responsible for the performance of all inspection requirements as specified herein. Except as otherwise specified, the supplier may utilize his own facilities or any commercial laboratory acceptable to the Government. The Government reserves the right to perform any of the inspections set forth herein, where such inspections are deemed necessary to assure that supplies and services conform to the prescribed requirements.

A. Each lot of Boxes, File shall be inspected for conformance to the requirements herein. Inspection shall be in accordance with MIL-STD-105 using the sampling plans specified below.

B. Visual characteristics - Inspection Level I with an Acceptable Quality Level (AQL) of 4.0 percent defective. The sample unit shall be one Box, File.

C) Dimensional characteristics - Inspection level I with an Acceptable Quality level (AQL) of 4.0 percent defective. The sample unit shall be one box.

D. Packaging, Packing, and Marking - Inspection Level S-2 with an AQL of 4.0 percent defective. The sample unit shall be one fully prepared shipping container.

4. Application for copies of documents referenced herein:

The issue date in effect on date of invitation for bids or request for proposal shall apply.

A. MIL-STD-105 is available from Standardization Documents Order Desk; Building 4D; 700 Robbins Avenue; Philadelphia, PA 19111 - 5094.

A-A-2807

B. Public Law 94-580, Resource Conservation and Recovery Act, is part of U.S. Code, Title 42. Available from the congressional Sales Office, U.S. Government Printing Office, Washington, D.C. 20402.

5. Preparation for Handling:

Packaging, Packing, Labeling, and Marking shall be as specified in the contract or purchase order.

6. Ordering Data:

Purchasers should reference this commercial item description when ordering, and state their requirements for packaging, packing, labeling, and marking.

No Official DOD interest
has been registered

Preparing Activity:
GSA-FSS