

AN 123 451  
THRU  
AN 123 600FED. SUP CLASS  
5320

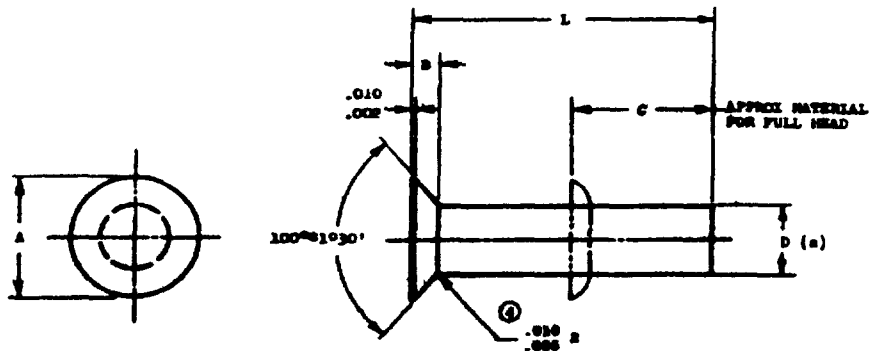
User activities

Army  
Navy  
Air Force  
DGA

Review activities

Army  
Navy  
Air Force-11  
DGA - 18

This military standard is approved for use by all Departments and Agencies of the Department of Defense. Selection for all new engineering and design applications and for repetitive use shall be made from this document.



D DIAMETER	A	$\frac{B}{D}$ +.001 -.003	C REFERENCE	X
.062 ±.001	.105 +.002 -.006	.082	.112	.010
.094 ±.001	.170 +.002 -.006	.036	.169	.010
.125 ±.001 -.002	.216 +.002 -.006	.042	.225	.010
.156 ±.001 -.002	.278 +.002 -.006	.055	.281	.015
.188 ±.001 -.002	.344 +.002 -.007	.070	.338	.015
.250 ±.002	.467 +.002 -.007	.095	.450	.020
.312 ±.002	.555 +.002 -.007	.106	.561	.020
.375 ±.002	.685 +.002 -.007	.134	.675	.020

(a) D DIAMETER TO BE GAGED FROM END OF SHANK TO WITHIN .100 OF BASE OF HEAD  
RIVET HEAD MUST BE CONCENTRIC WITH SHANK WITHIN X FULL INDICATOR READING  
SPECIFICATION: STEEL, CORROSION AND HEAT RESISTANT, AMS 7229 (MATERIAL AND WFO)  
DIMENSIONS IN INCHES. UNLESS OTHERWISE SPECIFIED TOLERANCES; LINEAR DIMENSIONS ±.010  
REMOVE BURRS AND BREAK SHARP EDGES .000 - .015

④ FOR CHANGES SEE SHEETS 1 &amp; 2

THIS STANDARD WAS DEVELOPED COOPERATIVELY WITH THE ENGINE AND PROPELLER UTILITY PARTS COMMITTEE OF THE SAE

U.S. A. USAF - 82

Other Code

Army - AV

Navy - 82

PROCUREMENT SPEC

Name

④ AIR FORCE-NAVY AERONAUTICAL STANDARD

RIVET, SOLID, 100° FLUSH HEAD,  
AMS 7229

AN 123 451

THRU

AN 123 600

SHEET 1 OF 2

5320-0219

APPROVED 8 Jun 49 REVISED ① 25 Jul 51 ② 5 Jul 56 ③ 28 May 61 ④ 27 Jun 74

L	DIAMETER AND PART NUMBERS							
	.062	.094	.125	.146	.168	.240	312	375
.125	AN123451							
.156	AN123460							
.168	AN123452	AN123468						
.219	AN123461	AN123479						
.250	AN123453	AN123469						
.281	AN123462	AN123480						
.312	AN123454	AN123470	AN123466	AN124502				
.344	AN123463	AN123461	AN123533	AN123584				
.375	AN123455	AN123471	AN123467	AN123503	AN123519			
.406	AN123464	AN123482	AN123534	AN123585				
.438	AN123465	AN123472	AN123488	AN123504	AN123520			
.469	AN123465	AN123474	AN123495	AN123586				
.500	AN123457	AN123473	AN123489	AN123505	AN123521	AN123537		
.531	AN123466	AN123464	AN123536	AN124587				
.562	AN123458	AN123474	AN123490	AN123506	AN123522	AN123538		
.594	AN123467		AN123491	AN123547				
.625	AN123459	AN123475	AN123491	AN123507	AN123523	AN123539	AN123555	
.656		AN123499	AN123548	AN123589				
.688		AN123500	AN123549	AN123590				
.719		AN123501	AN123550	AN123591				
.750		AN123476	AN123492	AN123508				
.781		AN123519	AN123551	AN123592	AN123524	AN123540	AN123556	AN123572
.812		AN123516	AN123552	AN123593				
.844		AN123517	AN123553	AN123594				
.875		AN123477	AN123493	AN123509	AN123525	AN123541	AN123557	AN123573
.906		AN123518	AN123554	AN123595				
.938		AN123531	AN123563	AN123596				
.969		AN123532	AN123564	AN123597				
1.000		AN123478	AN123494	AN123510	AN123526	AN123542	AN123558	AN123574
1.031			AN123565	AN123598				
1.062			AN123566	AN123599				
1.094			AN123567	AN123600				
1.125			AN123495	AN123511	AN123527	AN123543	AN123559	AN123575
1.156			AN123568					
1.188			AN123569					
1.219			AN123570					
1.250			AN123496	AN123512	AN123528	AN123544	AN123560	AN123576
1.281			AN123571					
1.312			AN123572					
1.344			AN123573					
1.375			AN123497	AN123513	AN123529	AN123545	AN123561	AN123577
1.406			AN123581					
1.438			AN123582					
1.469			AN123583					
1.500			AN123498	AN123514	AN123530	AN123546	AN123562	AN123578

AN 123451  
THRU  
AN 123600

FEDSUP CLASS  
5320

User activities: Army, Navy, Air Force, DSA  
 Review activities: Army, Air Force, DSA

This military standard is approved for use by all Departments and Agencies of the Department of Defense. Selection for all new engineering and design applications and for repetitive use shall be made from this document.

APPROVED 6 June 49 REVISED 1 26 63 6 FOR CHANGES SEE SHEETS 1 & 2

THIS STANDARD WAS DEVELOPED COOPERATIVELY WITH THE ENGINE AND PROPELLER UTILITY PARTS COMMITTEE OF THE SAE

P. A. USAF - 62 Other Code Army - AV Navy - AN PROCUREMNT SPEC Name	AIR FORCE-NAVY AERONAUTICAL STANDARD RIVET, SOLID, 100° FLUSH HEAD, AMS 7229	AN 123451 THRU AN 123600
--	--	--------------------------------