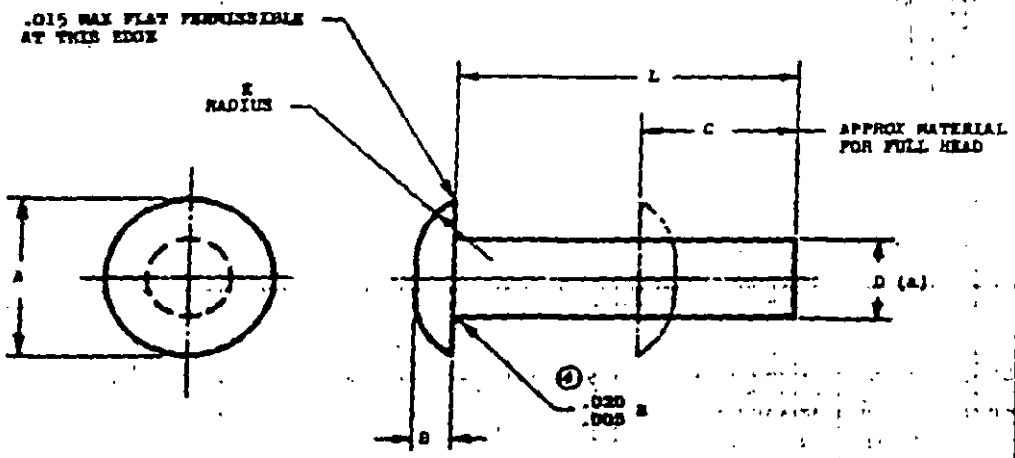


AN 123 151
THRU
AN 123 300

FED. SUP CLASS
1228



D DIAMETER	A	$\pm .010$ B $-.000$	C REFERENCE	E	X
.062 $\pm .001$.125 $\pm .006$.027	.112	.054	.010
.094 $\pm .001$.188 $\pm .009$.040	.169	.082	.010
.125 $\begin{smallmatrix} +.001 \\ -.002 \end{smallmatrix}$.250 $\pm .012$.054	.225	.108	.010
.154 $\begin{smallmatrix} +.001 \\ -.002 \end{smallmatrix}$.312 $\pm .016$.067	.281	.135	.015
.188 $\begin{smallmatrix} +.001 \\ -.002 \end{smallmatrix}$.375 $\pm .019$.080	.338	.164	.015
.250 $\pm .002$.500 $\pm .025$.107	.450	.217	.020
.312 $\pm .002$.625 $\pm .031$.133	.561	.272	.020
.375 $\pm .002$.750 $\pm .037$.161	.675	.328	.020

(a) D DIAMETER TO BE GAGED FROM END OF SHANK TO WITHIN .100 OF BASE OF HEAD
RIVET HEAD MUST BE CONCENTRIC WITH SHANK WITHIN X FULL INDICATOR READING
SPECIFICATION: STEEL, CORROSION AND HEAT RESISTANT, AMS 7229 (MATERIAL AND MFG)
DIMENSIONS IN INCHES UNLESS OTHERWISE SPECIFIED; TOLERANCES; LINEAR DIMENSIONS $\pm .010$
REMOVE BURRS AND BREAK SHARP EDGES .000 - .015

(4) FOR CHANGES SEE SHEETS 1 & 2

THIS STANDARD WAS DEVELOPED COOPERATIVELY WITH THE ENGINE AND PROPELLER UTILITY PARTS COMMITTEE OF THE SAE

P. A. USAF - 62 Other Cast Army - AV Navy - AS PROCUREMENT SPEC None	(4) AIR FORCE-NAVY AERONAUTICAL STANDARD RIVET, SOLID, UNIVERSAL HEAD, AMS 7229	AN 123 151 THRU AN 123 300
		SHEET 1 OF 2 5320-0217

User activities: Army - Navy - Air Force - DSA
 Review activities: Army - Navy - Air Force - DSA
 This military standard is approved for use by all Departments and Agencies of the Department of Defense. Subject to all new engineering and design applications and for repetitive use shall be made from this document.

APPROVED 8 Jun 49 REVISED 1 25 Jul 51 2 5 Jul 56 3 14 May 63 4 27 Jun 74

FED. SUP CLASS
9328

AN 123 151
THRU
AN 123 300

Spec. activities:
Army -
Navy -
Air Force -
D.S.A.

Review activities:
Army -
Navy -
Air Force -
886-13

This military standard is approved for use by all Departments and Agencies of the Department of Defense. Selection for all new engineering and design applications and for repetitive use shall be made from this document.

L	DIAMETER AND PART NUMBERS							
	.062	.094	.125	.156	.188	.250	.312	.375
.125	AN123151							
.156	AN123158							
.188	AN123152	AN123168	AN123184					
.219	AN123159	AN123164	AN123247					
.250	AN123143	AN123169	AN123189	AN123201	AN123217			
.281	AN123160	AN123165	AN123248	AN123260				
.312	AN123174	AN123170	AN123180	AN123206	AN123218	AN123239		
.344	AN123161	AN123166	AN123249					
.375	AN123155	AN123171	AN123187	AN123203	AN123219	AN123235		
.406	AN123162	AN123167	AN123250	AN123202				
.438	AN123156	AN123172	AN123188	AN123204	AN123220	AN123236		
.469	AN123163	AN123179	AN123251	AN123293				
.500	AN123157	AN123173	AN123189	AN123205	AN123221	AN123237		
.531		AN123180	AN123252	AN123204				
.562		AN123174	AN123190	AN123206	AN123222	AN123238		
.594		AN123181	AN123253	AN123295				
.625		AN123175	AN123191	AN123207	AN123223	AN123239	AN123255	
.656		AN123182	AN123254	AN123296				
.688		AN123183	AN123263	AN123297				
.719		AN123199	AN123264	AN123298				
.750		AN123176	AN123192	AN123208	AN123224	AN123240	AN123256	AN123272
.781		AN123200	AN123269	AN123299				
.812		AN123215	AN123266	AN123300				
.844		AN123216	AN123267					
.875		AN123177	AN123193	AN123209	AN123225	AN123241	AN123257	AN123273
.906		AN123231	AN123268					
.938		AN123232	AN123269					
.969		AN123233	AN123270					
1.000		AN123178	AN123194	AN123210	AN123226	AN123242	AN123258	AN123274
1.031			AN123271					
1.062			AN123272					
1.094			AN123280					
1.125			AN123195	AN123211	AN123227	AN123243	AN123259	AN123275
1.156			AN123281					
1.188			AN123282					
1.219			AN123283					
1.250			AN123196	AN123212	AN123228	AN123244	AN123260	AN123276
1.281			AN123284					
1.312			AN123285					
1.344			AN123286					
1.375			AN123197	AN123213	AN123229	AN123245	AN123261	AN123277
1.406			AN123287					
1.438			AN123288					
1.469			AN123289					
1.500			AN123198	AN123214	AN123230	AN123246	AN123262	AN123278

THIS STANDARD WAS DEVELOPED COOPERATIVELY WITH THE ENGINE AND PROPELLER UTILITY PARTS COMMITTEE OF THE SAE

P. A. USAF - 82 Other Cont Army - AV Navy - AS PROCUREMENT SPEC Name	AIR FORCE-NAVY AERONAUTICAL STANDARD RIVET, SOLID, UNIVERSAL HEAD, AMS 7229	AN 123 151 THRU AN 123 300
	APPROVED 8 JUN 49 REVISED 3 18 MAY 51 FOR CHANGES SEE SHEETS 1 & 2	