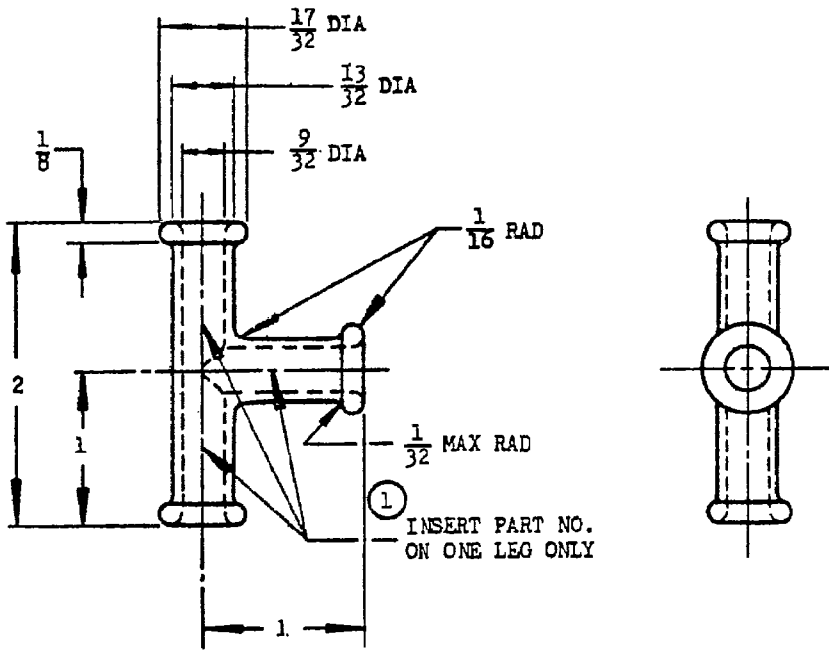


NOTE.—When Government drawings, specifications, or other data are used for any purpose other than in connection with a definitely related Government procurement operation, the United States Government (hereby incurs no responsibility, nor any obligation whatsoever; and the fact that the Government is the source of such data shall in no way be construed as an endorsement, approval, or recommendation by implication or otherwise as to the quality or value thereof, or as insuring against the liability of any person or organization in connection with the manufacture, use, or sale of any patented invention that may in any way be related thereto.



AN PART NO.
AN8019-1

MATERIAL: COMMERCIAL PLASTIC MUST BE EQUAL TO AND INTERCHANGEABLE WITH LUMARITH X-T-13507MH. COLOR NO. O-2165-A. CELANESE CELLULOID CORP., NEW YORK, N. Y. OR TENITE II - 201A961MS TENNESSEE EASTMAN CORP., KINGSPORT, TENNESSEE.

- (1) DIMENSIONS IN INCHES. UNLESS OTHERWISE SPECIFIED, TOLERANCES: FRACTIONS  $\pm 1/32$
- REMOVE ALL BURRS AND SHARP EDGES.

100 This drawing was approved by joint action of the Air Force and Navy Department in accordance with the Air Force-Navy standard for this product. This drawing supersedes all antecedent standard drawings for the same product and shall remain effective until replaced by a new drawing or until it is cancelled, not later than six months after the latest date of approval shown.

PROCUREMENT SPECIFICATION NONE	AIR FORCE-NAVY AERONAUTICAL STANDARD	AN8019
	TEE - FLYER'S RELIEF TUBE	

APPROVED 21 Feb 45 REVISED 12 Aug 54