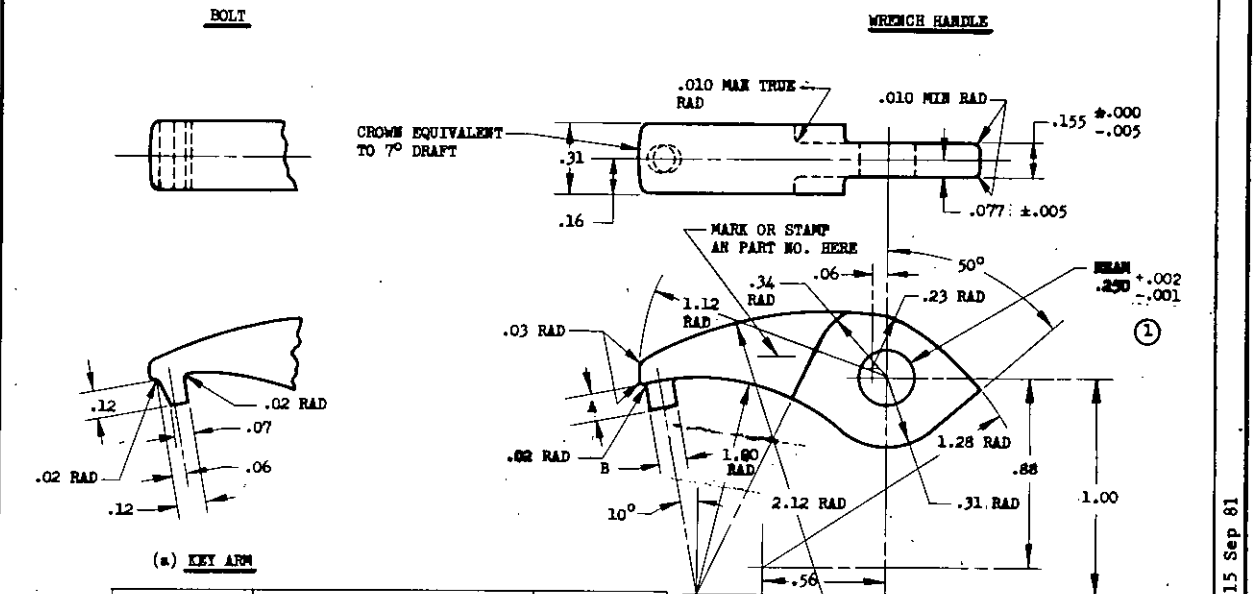
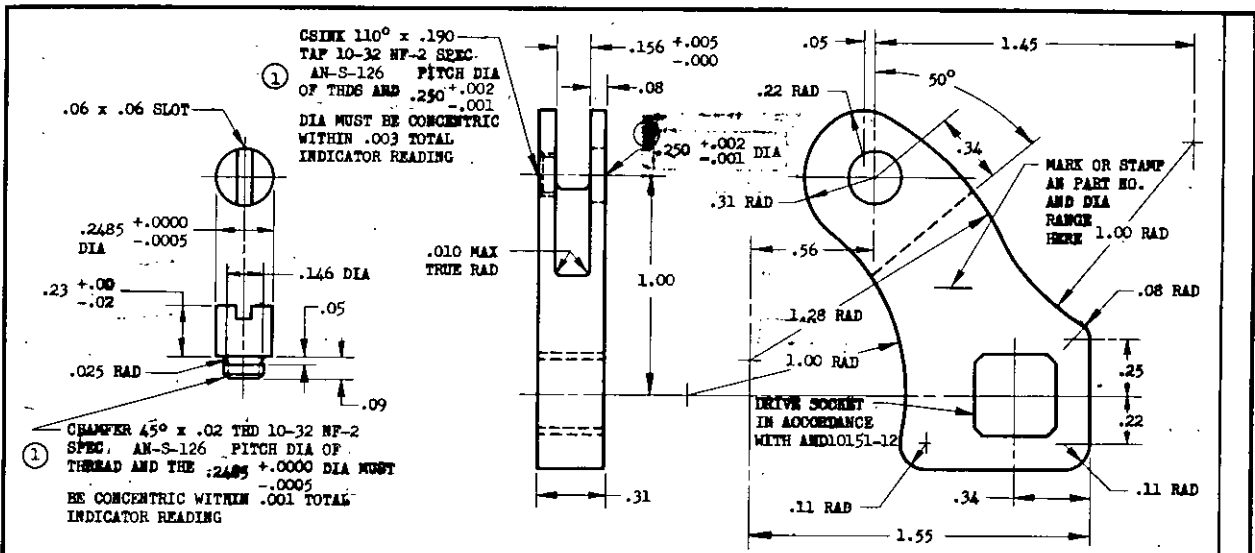


NOTICE: When Government drawings, specifications, or other data are used for any purpose other than in connection with a definitely related Government procurement operation, the United States Government is authorized to reproduce and distribute reprints for Government purposes, not withstanding any copyright notation that may appear hereon. In any manner involving the holder or any other person or corporation, or conveying any rights or invention that may in any way be related thereto.

**Air Force**  
 NOTE: This drawing was approved by joint action of the Air Force and Navy Departments as the standard for this product. This drawing supersedes all antecedent standard drawings for the same product and shall become effective for the procurement of aeronautical supplies, or for use in new design, not later than 6 months after the latest date of approval shown. It may be put into effect, however, at an earlier date after promulgation.



AN PART NO.	ITEM	DIMENSION	
		A ±.005	B DIA ±.003
AN8514-1	COMPLETE SET (AN8514-2 TO AN8514-7 INCL)		
AN8514-2	WRENCH HANDLE		
AN8514-3	BOLT		
AN8514-4	.09 PIN ARM	.060	.089
AN8514-5	.12 PIN ARM	.120	.121
AN8514-6	.19 PIN ARM	.190	.183
AN8514-7	KEY ARM		

② CANCELLED AFTER 15 SEPT 1981. NO SUPERSEDING STANDARD.

(\*) DIMENSIONS OF THIS PART THAT ARE NOT SHOWN ARE THE SAME AS FOR THE PIN ARM.  
 MATERIAL: STEEL, IN ACCORDANCE WITH SPECIFICATION AN-QQ-B-664.  
 HEAT TREAT: 113,200 TO 146,000 PSI, IN ACCORDANCE WITH SPECIFICATION AN-QQ-H-201.  
 FINISH: SANDBLAST AND ZINC OR CADMIUM PLATE IN ACCORDANCE WITH SPECS. AN-P-32 OR AN-P-61 RESPECTIVELY, OR AS OTHERWISE SPECIFIED.  
 BREAK SHARP EDGES .010 MAX. REMOVE BURRS.  
 DIMENSIONS IN INCHES. UNLESS OTHERWISE SPECIFIED, TOLERANCES: DECIMALS ±.01, ANGLES ±1/2°.

PROCUREMENT SPECIFICATION	AIR FORCE-NAVY AERONAUTICAL STANDARD	AN8514
NONE	WRENCH - 3/8 INCH SQUARE DRIVE ADJUSTABLE SPANNER (.75 TO 2 INCHES DIA)	

ARMY AIR FORCE'S STOCK CLASSIFICATION

APPROVED 28 Feb 45 REVISED ① 20 Sep 48 ② 15 Sep 81