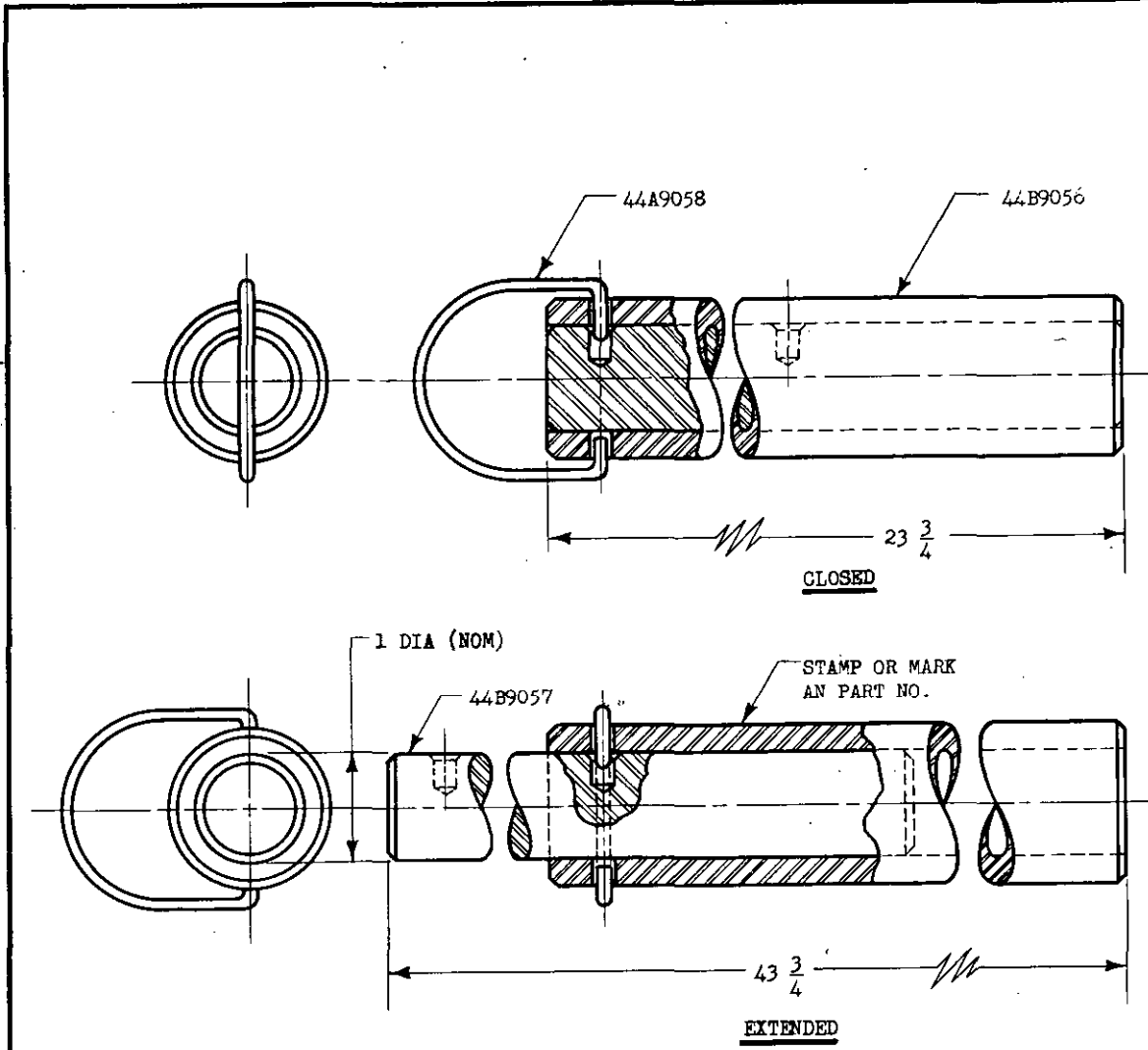


NOTICE: When Government drawings, specifications, or other data are used for any purpose other than in connection with a definitely related Government procurement operation, the United States Government thereby incurs no responsibility, nor any obligation whatsoever; and the fact that the Government may have formulated, furnished, or in any way supplied the said drawings, specifications, or other data is not to be regarded by implication or otherwise as in any manner licensing the holder or any other person or corporation, or conveying any rights or permission to manufacture, use, or sell any patented invention that may in any way be related thereto.

NOTE: This drawing was approved by joint action of the War and Navy Departments as the Army-Navy standard for this product. This drawing supersedes all antecedent standard drawings for the same product and shall become effective for the procurement of aeronautical supplies, or for use in new design, not later than six months after the latest date of approval shown. It may be put into effect, however, at an earlier date after promulgation.



AN PART NO.
AN8507-1

(A) CANCELED AFTER 15 SEPTEMBER 1978 NO SUPERSEDING STANDARD.

THIS DRAWING IS FOR REFERENCE AND STOCK PURPOSES ONLY. MANUFACTURING DETAILS SHALL BE IN ACCORDANCE WITH ARMY-NAVY AERONAUTICAL STANDARD ISSUE OF ARMY AIR FORCES DRAWINGS 44B9056, 44B9057, AND 44A9058 AND DETAIL DRAWINGS REFERENCED THEREON.

DIMENSIONS IN INCHES.

PROCUREMENT SPECIFICATION	ARMY-NAVY AERONAUTICAL STANDARD	AN8507
	NONE	

SUPERSEDES AAF DRAWING 44B9055.

APPROVED 12 JUN 44 REVISED (A) 15 SEPTEMBER 1978