

INCH-POUND

AN8019 Rev 2  
 16 December 2013  
 SUPERSEDING  
 AN8019 Rev 1  
 12 August 1954

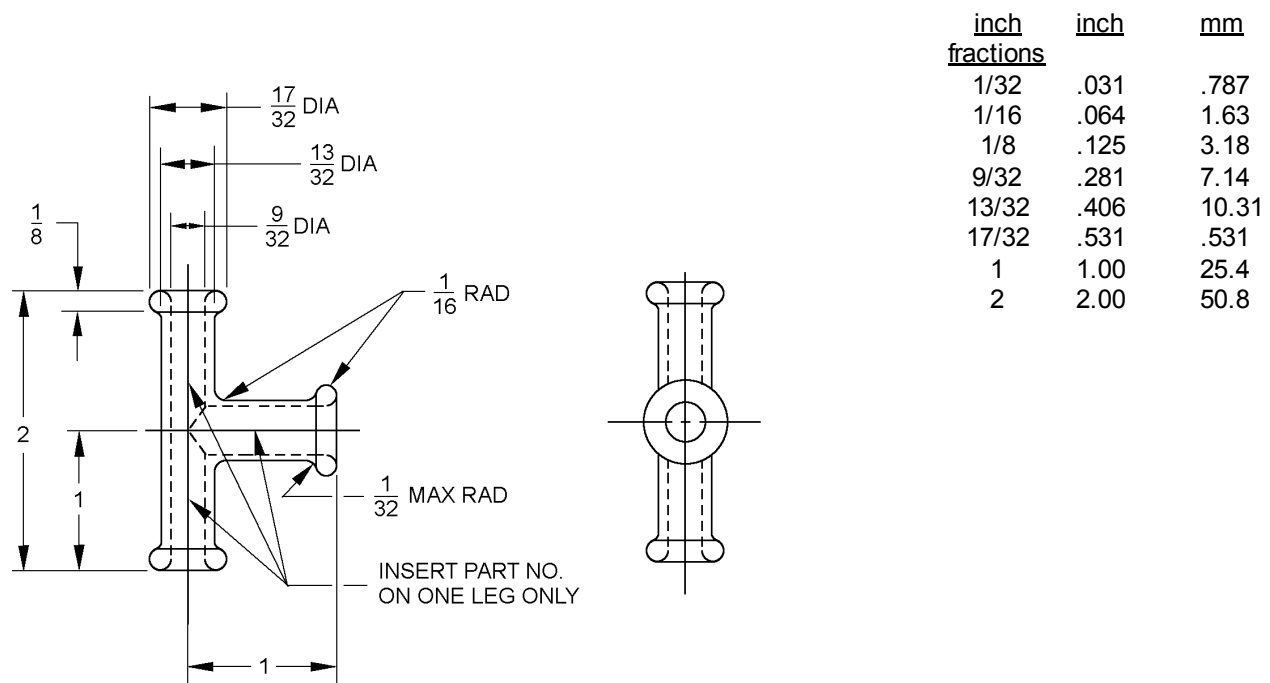
## DETAIL SPECIFICATION SHEET

## TEE AND FLYER'S RELIEF TUBE

Inactive for new design after 11 September 1998.  
 For new design use MIL-DTL-32077

This specification is approved for use by all Departments  
 and Agencies of the Department of Defense

The requirements for acquiring the product described  
 herein shall consist of this specification sheet.



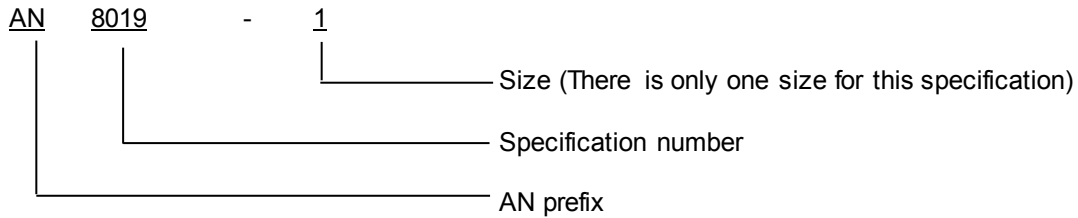
## NOTES:

1. Dimensions are in inches.
2. Metric equivalents are given for information only.
3. Break sharp edges and remove all hanging burrs and slivers.
4. Unless otherwise noted tolerances shall be  $\pm 1/32$ , ( $\pm .010$  inches) (0.787 mm) ( $\pm .254$ ) angles at  $\pm 2$ .

FIGURE 1. Tee and flyer's relief tube.

## AN8019 Rev 2

Part or Identifying Number (PIN): The PIN consists of the letter "AN" the specification sheet number, and a dash number. AN4052-1



Material: Commercial plastic for use as sewage drain as shown in figure 1.

Changes from previous issue. Marginal notations are not used in this revision to identify changes with respect to previous issue due to the extensiveness of the changes.

## CONCLUDING MATERIAL

## MILITARY INTERESTS

## Custodians:

Army - AV  
 Navy - AS  
 Air Force - 99  
 DLA - CC

## Preparing activity:

DLA - CC

Project 4730-2013-058

## Review activities:

Army-MI  
 Navy - SA  
 Air Force - 71

NOTE: The activities listed above were interested in this document as of the date of this document. Since organizations and responsibilities can change, you should verify the currency of the information above using the ASSIST Online database at <https://assist.dla.mil/>.