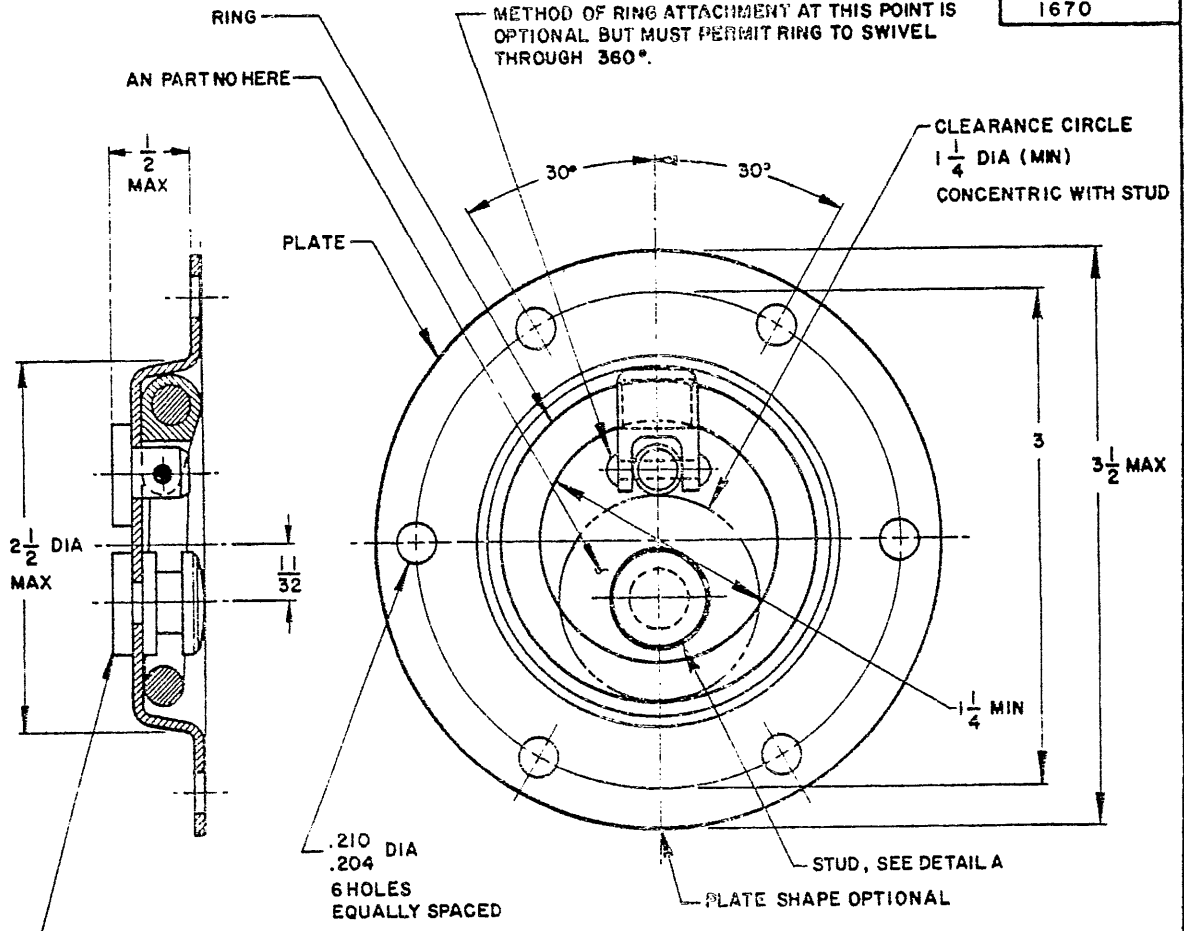


FED. SUP CLASS
1670

USER ACTIVITIES

REVIEWER ACTIVITIES

This military standard is approved for use by all Departments and Agencies of the Department of Defense. Selection for all new engineering and design applications and for repetitive use shall be made from this document.



AN PART NO
AN 7516-1

STUD MAY BE SECURED BY PEENING, WELDING OR OTHER SUITABLE MEANS.

DETAIL A (ENLARGED)

NOTES

1. TYPE I OF MIL-A-8905 APPLIES.
2. MATERIAL: STEEL (FOR DETAILS SEE PROCUREMENT SPECIFICATION).
3. HEAT TREAT: (FOR DETAILS SEE PROCUREMENT SPECIFICATION).
4. REMOVE ALL BURRS AND SHARP EDGES.
5. DIMENSIONS IN INCHES. UNLESS OTHERWISE SPECIFIED, TOLERANCES: FRACTIONS $\pm 1/64$, ANGLES $\pm 1/2^\circ$.

3 ENTIRE STANDARD REVISED

F. A. AIR FORCE - 82 Other Cust ARMY - AV AIR FORCE - 99	INTERNATIONAL INTEREST	AIR FORCE-NAVY AERONAUTICAL STANDARD	AN7516
		ADAPTER, TIE DOWN AIRCRAFT FLOOR (5,000 LBS)	
PROCUREMENT SPECIFICATION MIL-A-8905 (SEE NOTE 1)	SUPERSEDES:	SHEET	OF

DD FORM 672-1 (COORDINATED)
MAY 73

PREVIOUS EDITIONS OF THIS FORM ARE OBSOLETE

Project No. 1670-0646

APPROVED 16 JAN 46 REVISED 1 22 AUG 47 2 8 OCT 64 3 13 Sep 82