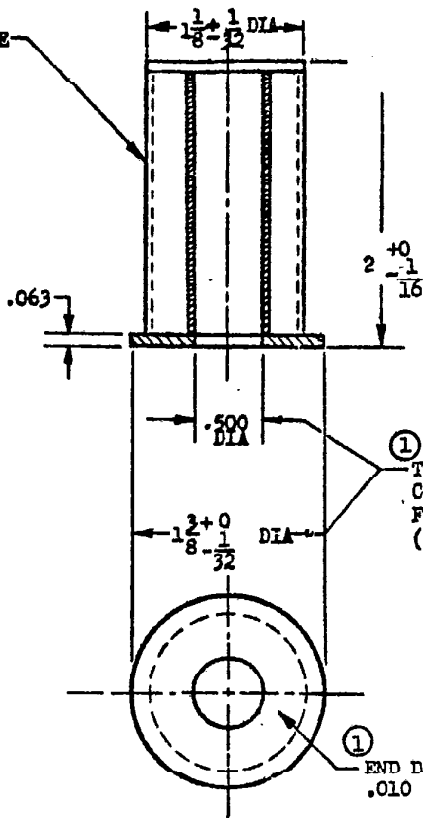


NOTICE: When Government drawings, specifications, or other data are used for any purpose other than in connection with a limited Government procurement operation, the United States Government thereby incurs no responsibility, nor any obligation whatever, and the fact that the Government was, in any way, connected therewith, in no way implies approval, specification, or other data of the United States Government, or that any patent or other rights in such data may in any way be affected thereby.

Air Force
 NOTE: This drawing was approved by joint action of the Army and Navy Departments as AN6237-1 for this project. This drawing supersedes all intermediate standard drawings for this project and shall become obsolete for the procurement of replacement parts or for use in this class, however, all in-service data after promulgation of this drawing shall be maintained.

① THIS SURFACE MUST BE SQUARE WITH END DISCS WITHIN .040 IN HEIGHT OF FILTER



① THESE DIAMETERS MUST BE CONCENTRIC WITHIN .015 FULL INDICATOR READING (BOTH SIDES).

① END DISCS MUST BE FLAT WITHIN .010 (BOTH ENDS)

AN PART NO.
AN6237-1

DIMENSIONS IN INCHES. UNLESS OTHERWISE SPECIFIED, TOLERANCES: DECIMALS ±.010.

FOR ACCEPTABLE PRODUCTS SEE ANA BULLETIN NO. 117.

PROCUREMENT SPECIFICATION
 AN-F-3

AIR FORCE-NAVY AERONAUTICAL STANDARD
 FILTER ELEMENT - HYDRAULIC REPLACEABLE
 MICRONIC VENT TYPE

AN6237