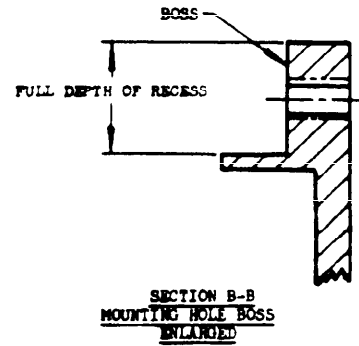
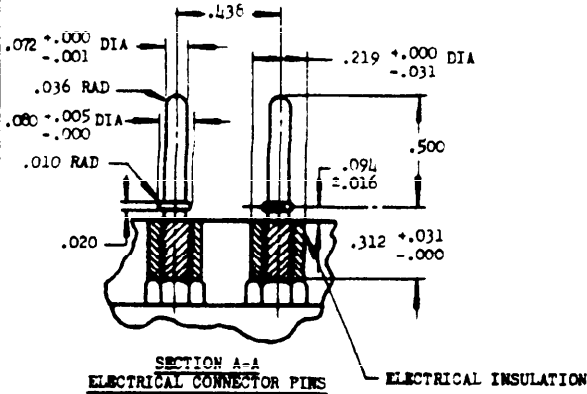
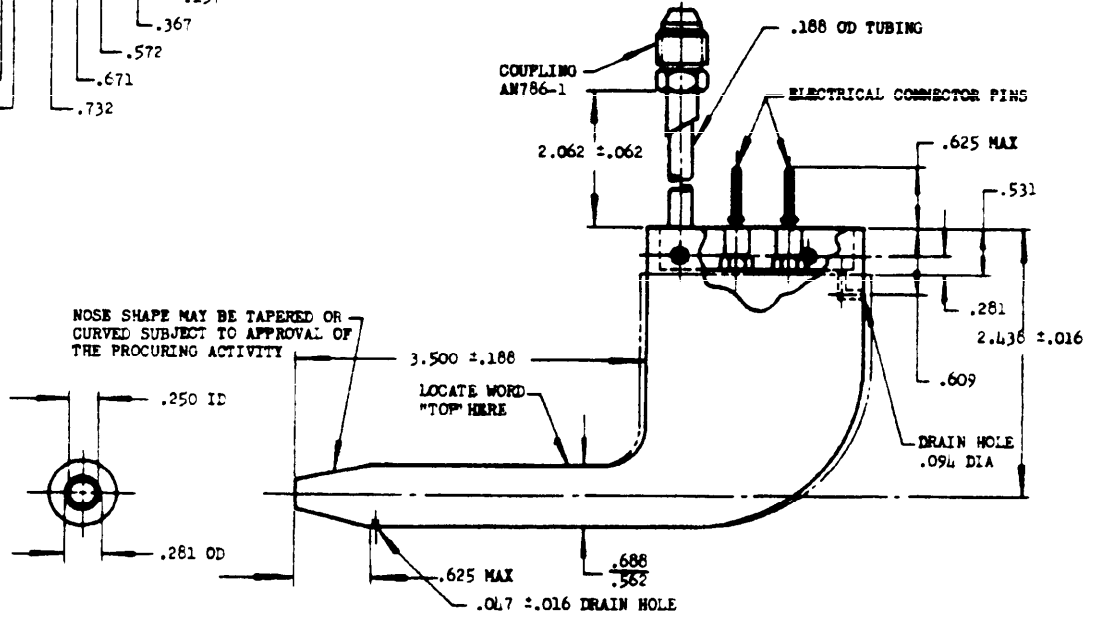
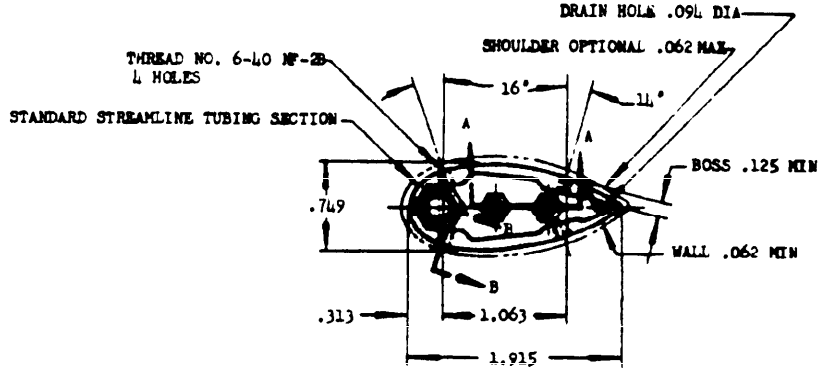
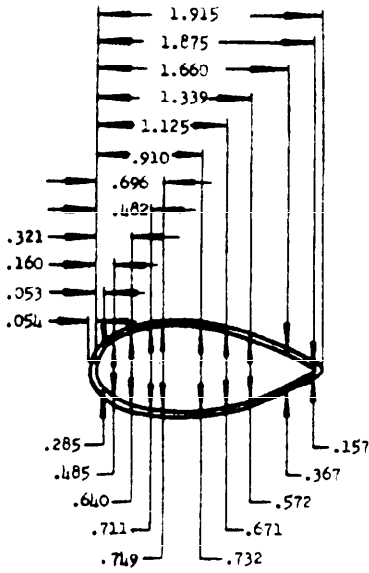


NOTE: This drawing was approved by Joint action of the Air Force and Navy Departments as the Air Force-Navy standard for this product. This drawing supersedes all antecedent standard drawings for the same product and shall become effective for the procurement of aeronautical supplies, or for use in new designs, not later than 6 months after the latest date of approval above.

NOTE: When Government drawings, specifications, or other data are used for any purpose other than that for which they were prepared, the United States Government hereby incurs no responsibility, nor any obligation whatsoever; and the Government shall not be liable in any way for damages, specifications, or other data to be regarded by implication or otherwise as having been authorized by the Government in any way for reproduction, distribution, or reuse for any purpose other than that for which they were prepared.

DATA: NEDA (REV. 2-51)



AN PART NO.	RATED VOLTAGE
AN5812-1	24-VOLT DC
AN5812-2	115-VOLT, 60-CYCLE, SINGLE-PHASE AC

7 ROUNDED TRAILING EDGE OF STREAMLINE TUBING SECTION LIMITED TO .0625 RADIUS.
 DIMENSIONS IN INCHES. UNLESS OTHERWISE SPECIFIED, TOLERANCES: DECIMALS ±.010, ANGLES ±1/2°.
 REVISION TO CORRECT ERROR IN REVISION BLOCK

PROCUREMENT SPECIFICATION
 MIL-T-5421

AIR FORCE-NAVY AERONAUTICAL STANDARD
 TUBE, PITOT, ELECTRICALLY HEATED,
 "L" SHAPED

AN5812

APPROVED 26 Jan 54 REVISED 1 6 Jul 45 2 7 Feb 51 3 5 Oct 51 4 23 Oct 52 5 17 Sep 53 6 30 Nov 55 7 30 Mar 56