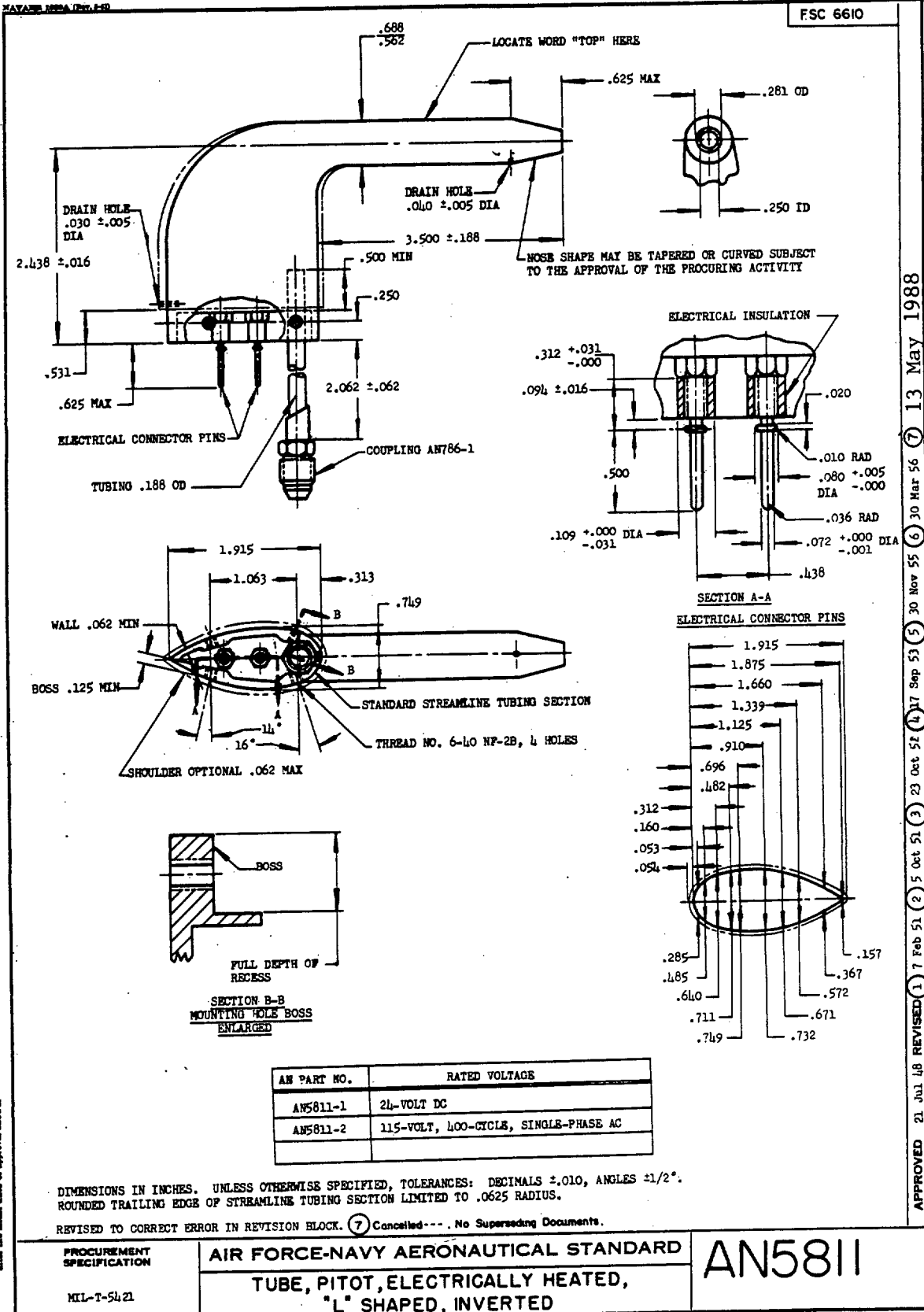


NOTICE: When Government drawings, specifications, or other data are used for any purpose other than in connection with a definitely related Government procurement operation, the United States Government thereby incurs no responsibility, nor any obligation whatsoever; and the fact that the Government may have furnished, furnished, or in any way supplied the said drawings, specifications, or other data is not to be regarded by implication or otherwise as in any manner licensing the holder or any other person or corporation, or conveying any rights or permission to manufacture, use, or sell any patented invention that may in any way be related thereto.

DISTRIBUTION STATEMENT A. Approved for public release; distribution is unlimited.  
 NOTE: This drawing was approved by Joint action of the Air Force and Navy Departments as the Air Force-Navy standard for this product. This drawing supersedes all associated standard drawings and drawings of this product and shall become effective for the procurement of streamlines tubing, or for use in new designs, not later than 6 months after the latest date of approval shown.



APPROVED 21 Jul 48 REVISED 1 7 Feb 51 2 5 Oct 51 3 23 Oct 51 4 17 Sep 53 5 30 Nov 55 6 30 Mar 56 7 13 May 1988

Prep: 71  
 Cust: 99

6610 - F 240

NOTES TO PRINTER: REDUCE BORDER FROM ORIGINAL 11-3/8x16-1/4 TO 6-27/32x9-3/4.  
 PRINT LEFT BORDER LINE ONE INCH FROM LEFT EDGE OF 8-10-1/2 SHEET.  
 PRINT BOTTOM BORDER LINE 3/8 INCH FROM BOTTOM EDGE OF 8-10-1/2 SHEET.  
 SIGNATURE FORM NOT TO BE PRINTED ON STANDARD BOOK SHEET.

DATE 5 SEP 87  
 DRAWN BY L LAUDERDALE  
 TYPED BY B.H.S.  
 CHECKED BY [Signature]