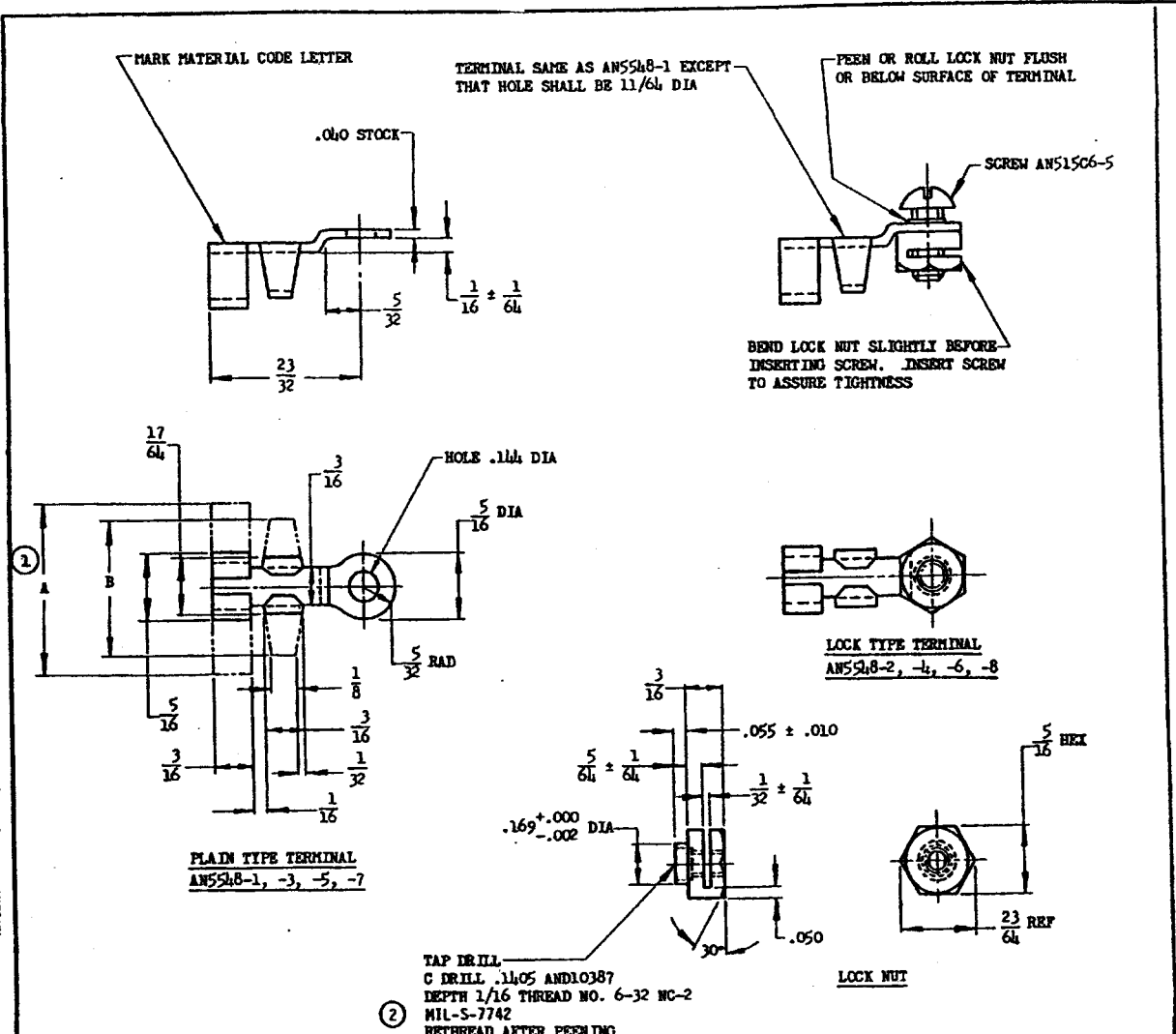


NOTICE: When Government drawings, specifications, or other data are used for any purpose other than in connection with a definitely related Government procurement operation, the United States Government thereby incurs no responsibility, nor any obligation whatsoever, and the fact that the Government may have furnished, in whole or in part, the data in any way applied to the design, development, specifications, or other data is not to be regarded as an endorsement or approval of the product, or as an implied warranty of its quality, or as an implied warranty of its fitness for any particular purpose, or as an implied warranty of its safety, or as an implied warranty of its non-infringement of any patent or other right in any way that may be related thereto.

NOTE: This drawing was approved by joint action of the Air Force and Navy Departments as the Air Force-Navy standard for this product. This drawing supersedes all antecedent drawings for the same product and shall become effective for the procurement of aeronautical supplies, or for use in new design, not later than 6 months after the latest date of approval shown.



	AN PART NO.	TERMINAL TYPE	TERMINAL MATERIAL	MATERIAL CODE MARKING	DIMENSIONS	
					A ±.016	B ±.031
(a)	AN5548-1	PLAIN	CHROMEL	CR	.797	.641
	AN5548-2	LOCK	ALUMEL	AL	.797	.641
	AN5548-3	PLAIN	ALUMEL	AL	.797	.641
	AN5548-4	LOCK	CHROMEL	CR	.797	.641
①	AN5548-5	PLAIN	CHROMEL	CR	.484	.375
	AN5548-6	LOCK	ALUMEL	AL	.484	.375
	AN5548-7	PLAIN	ALUMEL	AL	.484	.375
	AN5548-8	LOCK	CHROMEL	CR	.484	.375

① (a) AN5548-1, -2, -3, and -4 ONLY SHALL BE STOCKED BY THE MILITARY SERVICES. EARS MAY BE CLIPPED TO PROVIDE NEAT INSTALLATION.

② MATERIAL: TERMINAL, SEE TABLE. NUT, CORROSION RESISTANT, MS35782.

REMOVE ALL BURRS AND SHARP EDGES.

DIMENSIONS IN INCHES. UNLESS OTHERWISE SPECIFIED, TOLERANCES: FRACTIONS ±1/32, DECIMALS ±.005, ANGLES ±1/2°.

Custodians: NAVY - AS AIR FORCE - 85
 Preparing activity: AIR FORCE - 85
 (Project No. 5940-1148)

Review activities: AIR FORCE - 99 DLA - GS

AMSC N/A

PROCUREMENT SPECIFICATION	AIR FORCE-NAVY AERONAUTICAL STANDARD		AN5548
	①	TERMINAL - LUG, THERMOCOUPLE, CHROMEL AND ALUMEL	

APPROVED 20 Dec 48 REVISED 131 Jan 50 ② 19 Apr 93