

INCH-POUND

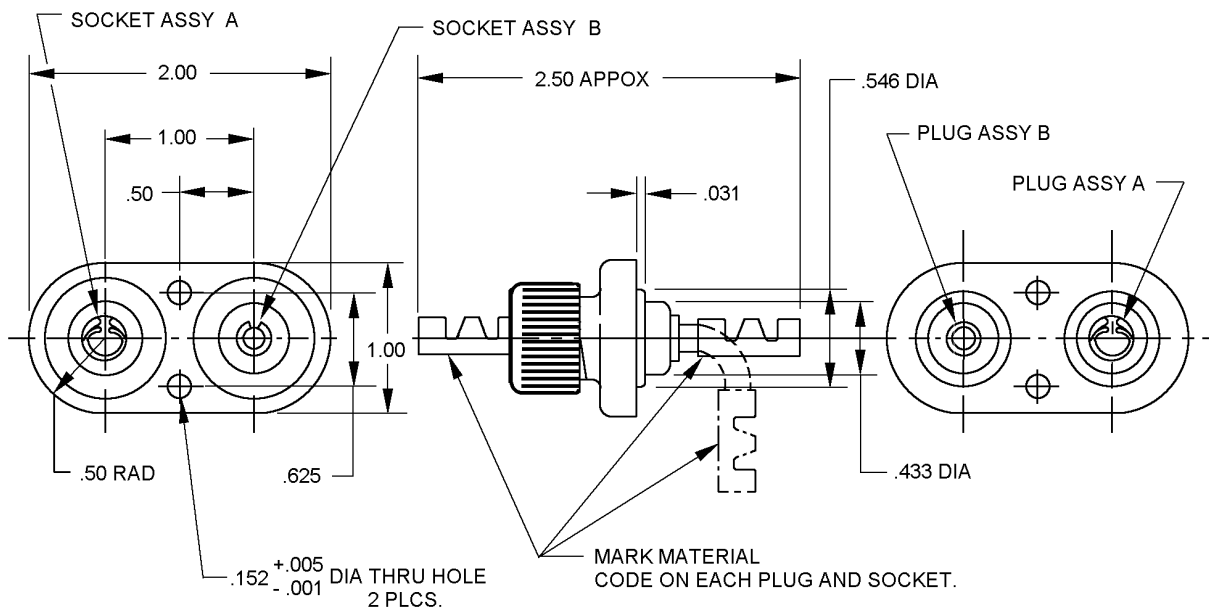
AN5537 Rev 2  
 13 January 2012  
 SUPERSEDING  
 AN5537 Rev 1  
 17 May 1948

DETAIL SPECIFICATION SHEET

CONNECTOR ASSEMBLY – THERMOCOUPLE LEAD

This specification is approved for use by all Departments and Agencies of the Department of Defense.

The requirements for acquiring the product described herein shall consist of this specification sheet.



Inches	mm	Inches	mm
.001	0.03	.546	13.87
.005	0.13	.625	15.88
.031	0.76	1.00	25.40
.152	3.86	2.00	50.80
.433	11.00	2.50	63.05
.50	12.70		

FIGURE 1. Thermocouple lead dimensions and configurations.

## AN5537 Rev 2

AN Part or Identifying Number (PIN) connector assembly	AN PIN plug	Type plug	Plug and socket			
			Material		Material code	
			A	B	A	B
AN5537-1		Straight	Iron	Constatan	FE	CON
	AN5537-1-1	Straight	Iron		FE	
	AN5537-1-2	Straight		Constatan		CON
AN5537-2		Angle	Iron	Constatan	FE	CON
	AN5537-2-1	Angle	Iron		FE	
	AN5537-2-2	Angle		Constatan		CON
AN5537-3		Straight	Chromel	Alumel	CR	AL
	AN5537-3-1	Straight	Chromel		CR	
	AN5537-3-2	Straight		Alumel		AL
AN5537-4		Angle	Chromel	Alumel	CR	AL
	AN5537-4-1	Angle	Chromel		CR	
	AN5537-4-2	Angle		Alumel		AL

## NOTES:

1. Dimensions are in inches.
2. This drawing for reference and stock purpose only. For manufacturing details see AN AERO standard issue of Army Air Forces drawing 42A4297.

FIGURE 1. Thermocouple lead dimensions and configurations - Continued.

AN5537 Rev 2

Changes from previous issues. Marginal notations are not used in this revision to identify changes with respect to the previous issue due to the extent of the changes.

Referenced documents. This document references the following:

AF DWG 42A4297

CONCLUDING MATERIAL

Custodians:

Navy - AS  
Air Force - 85  
DLA - CC

Preparing activity:  
DLA - CC

(Project 5935-2011-118)

NOTE: The activities listed above were interested in this document as of the date of this document. Since organizations and responsibilities can change, you should verify the currency of the information above using the ASSIST Online database at <https://assist.daps.dla.mil>.