

INCH-POUND

AN3303  
 REVISION 3  
 15 January 2002  
 SUPERSEDING  
 REVISION 2  
 10 April 1959

DETAIL SPECIFICATION SHEET

RELAY, 3 AMP, 4 PDT, SEALED,  
 CONNECTOR MOUNTING, CLASS O

Inactive for new design after 17 November 1954.  
 No superseding document.

This specification is approved for use by all Departments  
 and Agencies of the Department of Defense.

The requirements for acquiring the relay described herein shall  
 consist of this specification and the latest issue of MIL-PRF-6106.

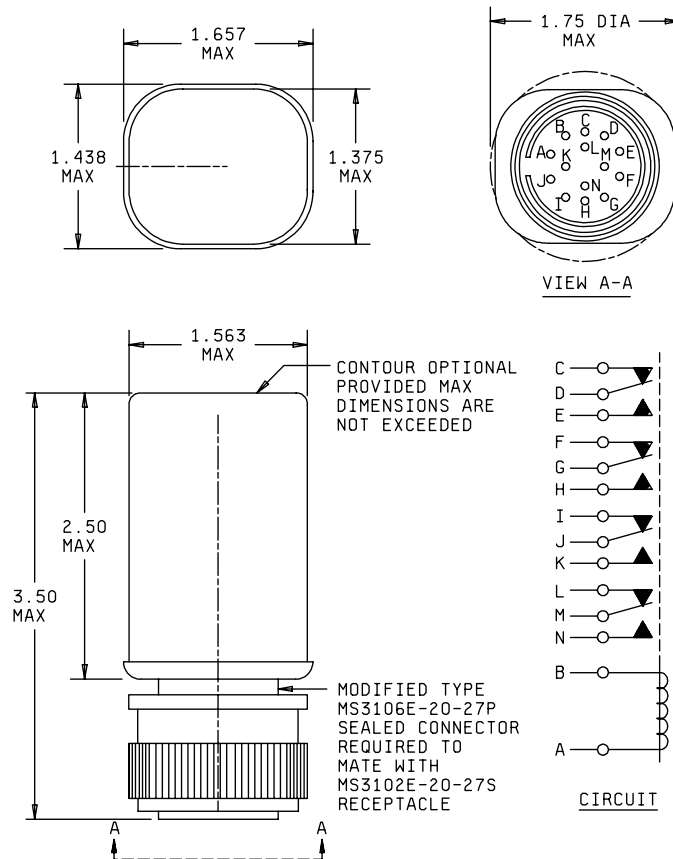


FIGURE 1. Configurations and dimensions.

AN3303  
REVISION 3

Inches	mm
.016	0.040
1.375	3.493
1.438	3.651
1.563	3.969
1.657	4.207
1.75	4.445
2.50	6.35
3.50	8.89

NOTES:

1. Dimensions are in inches.
2. Metric equivalents are given for general information only.
3. Unless otherwise specified, tolerance are  $\pm 0.016$  (0.040 mm).

FIGURE 1. Configurations and dimensions - Continued.

REQUIREMENTS

Operating cycles: 50,000 minimum.

Contact data:

Contact voltage drop: Not applicable.

Load ratings: See Table I.

TABLE I - Rated contact load (per pole).

Type of load	Amperes
Resistive (DC)	3
Resistive (AC 400 Hz, 115 volts)	3
Inductive	1.5
Motor	1.5

Overload current: Not applicable.

Rupture current: Not applicable.

AN3303  
REVISION 3

Coil data:

Nominal coil voltage: 28 volts.  
Maximum operating voltage: 29 volts.  
Pickup voltage: 18 volts.  
Dropout voltage: 2 volts, minimum; 7 volts, maximum.  
Rated duty: Continuous.  
Coil current: 0.15 amperes, maximum.

Physical data:

Weight: 0.5 pounds, maximum.  
Qualification by similarity: See MIL-PRF-6106.  
Retention of qualification: To retain qualification, the manufacturer shall submit group A acceptance reports on a yearly basis to the qualifying activity.  
Quality conformance inspection: Performance of groups B and C tests are not applicable.  
Part or Identifying Number (PIN): AN3303-1 and AN3303-2.  
AN3303-2 relays shall meet the mixed loads current requirements specified in MIL-PRF-6106. The relay shall be equipped with a glass to metal sealed electrical connector.  
Supersession information: Supersedes USAF Drawing 49B6902.

Custodian:  
Air Force - 11  
DLA - CC

Preparing activity:  
DLA - CC

(Project 5945-1126-01)