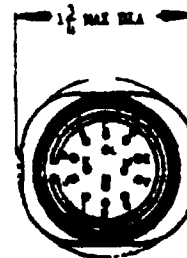
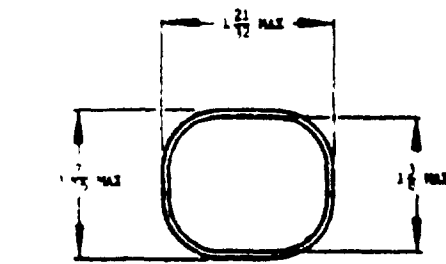
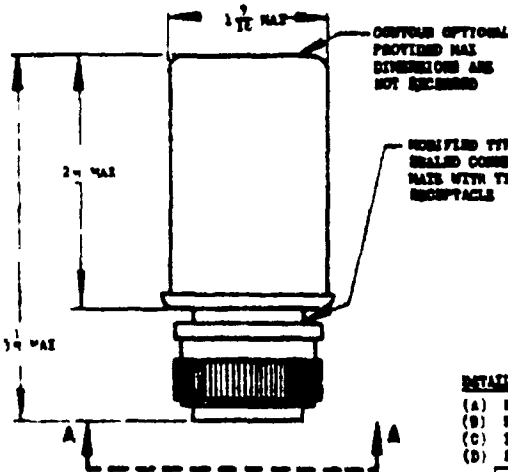


NOTE: The drawing was prepared by the Army and Navy Departments. It is not intended to be used for manufacturing purposes. It is a preliminary drawing and the dimensions are not final. It is subject to change without notice. It is not intended to be used for manufacturing purposes. It is a preliminary drawing and the dimensions are not final. It is subject to change without notice.

NOTE: This drawing was prepared by the Army and Navy Departments. It is not intended to be used for manufacturing purposes. It is a preliminary drawing and the dimensions are not final. It is subject to change without notice. It is not intended to be used for manufacturing purposes. It is a preliminary drawing and the dimensions are not final. It is subject to change without notice.



VIEW A-A



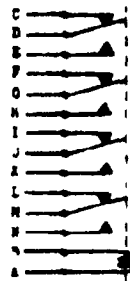
MODIFIED TYPE AN3303-2-277 SEALED CONNECTOR REQUIRED TO MATE WITH TYPE AN3303-2-278 RECEPTACLE

METAL REQUIREMENTS

- (A) MAXIMUM OPERATING VOLTAGE 29 VOLTS
- (B) PICKUP VOLTAGE 18 VOLTS
- (C) DROP-OUT VOLTAGE 7 VOLTS +0, -5
- (D) RATED LOAD (PER POLE)

LOAD	NORMALLY OPEN	NORMALLY CLOSED
RESISTIVE (DC)	3 AMP	3 AMP
RESISTIVE (A-C 60-CYCLE, 115 VOLTS)	3 AMP	3 AMP
INDUCTIVE	1.5 AMP	1.5 AMP
REVER	1.5 AMP	1.5 AMP

- (E) COIL CURRENT .15 AMP MAX
- (F) MINIMUM OPERATING PERIOD 3 HOURS
- (G) MINIMUM OPERATING CYCLES 50,000
- (H) MAXIMUM WEIGHT 5 POUND
- (I) RATED DUTY CONTINUOUS
- (J) NOMINAL COIL VOLTAGE 20 VOLTS



CIRCUIT

AS PART NO.
AN3303-1
AN3303-2

2

INACTIVE FOR DESIGN AFTER 17 NOVEMBER 1954 NO SUPERSEDING STANDARD

FOR DEFINITION AND APPLICATION OF DRAWING STATUS NOTES, SEE AIA BULLETIN NO. 337

OVERLOAD, RUPTURE AND CONTACT DROP OF SPECIFICATION MIL-R-6106 ARE NOT APPLICABLE.

DIMENSIONS IN INCHES UNLESS OTHERWISE SPECIFIED, TOLERANCES: FRACTIONS ±1/64.

- AN3303-2 RELAY SHALL MEET THE MINIMUM CURRENT REQUIREMENTS ESTABLISHED IN THE PROCUREMENT SPECIFICATION THE RELAY SHALL BE EQUIPPED WITH A GLASS TO METAL SEALED ELECTRICAL CONNECTOR.

PROCUREMENT SPECIFICATION
MIL-R-6106

AIR FORCE-NAVY AERONAUTICAL STANDARD
RELAY, 3 AMP, 4 PDT, SEALED, CONNECTOR MOUNTING, CLASS 0

AN3303

SUPERSEDES USAF DRAWING 4984901

APPROVED 17 Apr 50 REVISED 17 Apr 54 2 10 Apr 59