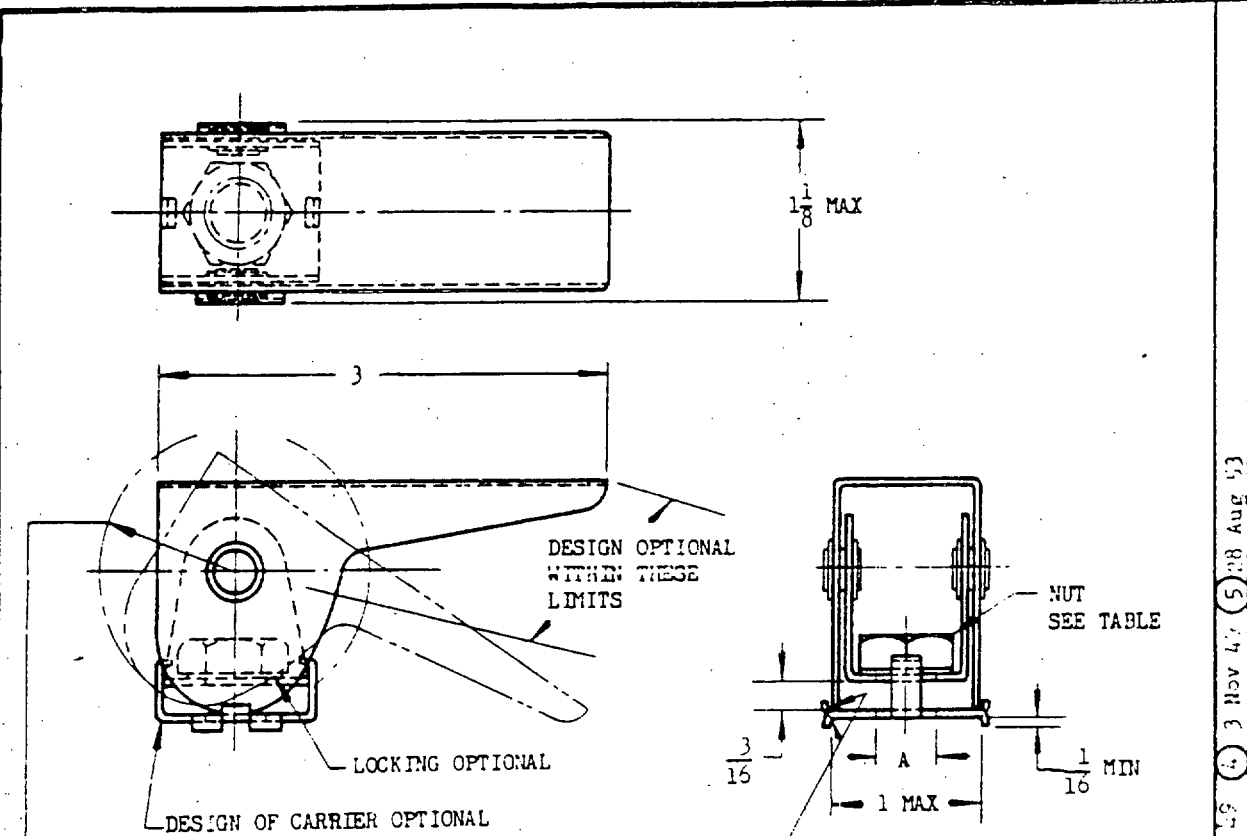


NOTICE: When Government drawings, specifications, or other data are used for any purpose other than in connection with a definitely related government procurement, the Government assumes no responsibility. It is the purchaser's responsibility to verify the accuracy of any data used in connection with a procurement. The Government does not warrant the accuracy of any data used in connection with a procurement, and no other data is to be used in connection with a procurement. The Government does not warrant the accuracy of any data used in connection with a procurement, and no other data is to be used in connection with a procurement. The Government does not warrant the accuracy of any data used in connection with a procurement, and no other data is to be used in connection with a procurement.

NOTE: This drawing was approved by joint action of the Air Force and Navy Department as the Air Force Navy standard for this product. This drawing supersedes all antecedent standard drawings for the same product and shall become effective for the procurement of aeronautical supplies, or for use in new design, not later than six months after the latest date of approval shown.



NMAXIMUM RADIUS OPTIONAL TO ALLOW RETRACTION OF CARRIER OR EXTENSION TO POSITION SHOWN

(a) AN PART NO.	A DIA	NUT
(b) AN3156-2	1/4	AN345-10
AN3156-3	5/16	AN335-4
(b) AN3156-4	5/16	AN325-4
(b) AN3156-5	13/32	AN325-5
(b) AN3156-6	13/32	AN325-6

(a) PREVIOUS PART NUMBER AN3156-1 INACTIVE FOR DESIGN AFTER 12 FEB 48. AN3156-1A SUPERSEDES AND IS INTERCHANGEABLE WITH AN3156-1.

PREVIOUS PART NUMBER AN3156-1A INACTIVE FOR DESIGN AFTER 2 MAY 1949. AN3156-2, -3, -4, -5, AND -6 REPLACES AN3156-1A.

(5) (b) PREVIOUS PART NUMBERS AN3156-2, -4, -5, AND -6 INACTIVE FOR DESIGN AFTER 28 AUG 1953. NO SUPERSEDING AN PART NUMBERS.

FOR DEFINITION AND APPLICATION OF DRAWING STATUS NOTES, SEE ANA BULLETIN NO. 337.

BREAK SHARP EDGES .010 MAXIMUM.

DIMENSIONS IN INCHES. UNLESS OTHERWISE SPECIFIED, TOLERANCES: FRACTIONS $\pm 1/64$.

PROCUREMENT SPECIFICATION MIL-C-6783	AIR FORCE-NAVY AERONAUTICAL STANDARD CLAMP - BATTERY HOLD-DOWN	AN3156
---	--	---------------

APPROVED 30 Apr 45 REVISED 1 12 Feb 48 2 12 Mar 49 3 2 May 49 4 3 Nov 47 5 28 Aug 53