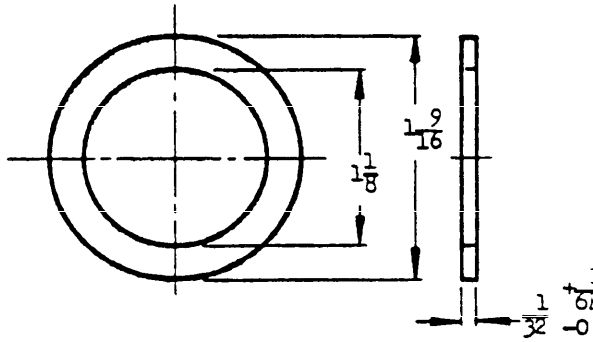


NAVY AIR 10000

NOTICE - When Government drawings, specifications, or other data are used for any purpose other than in connection with a definitely related Government procurement operation, the United States Government (hereby incited) assumes no responsibility, nor any obligation, for any such use, nor for any infringement or damages in any manner including this holder or any other person or corporation, or accepting any liability or permission to manufacture, use, or sell any patented invention that may in any way be related hereto.

NOTE - This drawing was approved by joint action of the Air Force and Navy Department as the Air Force-Navy standard for this product. This drawing supersedes all antecedent standard drawings for the same product and shall become effective for the procurement of aeronautical supplies, or for use in new design, not later than the month after the latest date of approval shown.



②	AN PART NO.
	(a) AN3119-1
	AN3119-2

- ② (a) PREVIOUS PART NO. AN3119-1 INACTIVE FOR DESIGN AFTER 31 JANUARY 1951. PART NO. AN3119-2 REPLACES AND IS INTERCHANGEABLE WITH PART NO. AN3119-1.
 - ② FOR DEFINITION AND APPLICATION OF DRAWING STATUS NOTES, SEE ANA BULLETIN NO. 337.
 - ② MATERIAL: VELLUMOID COMPANY MATERIAL NO. 570-1, OR EQUAL.
- DIMENSIONS IN INCHES. UNLESS OTHERWISE SPECIFIED, TOLERANCES: FRACTIONS $\pm 1/64$.

PROCUREMENT SPECIFICATION None	AIR FORCE-NAVY AERONAUTICAL STANDARD ② GASKET - COMMON, TAIL POSITION LIGHT	AN3119
--	---	---------------