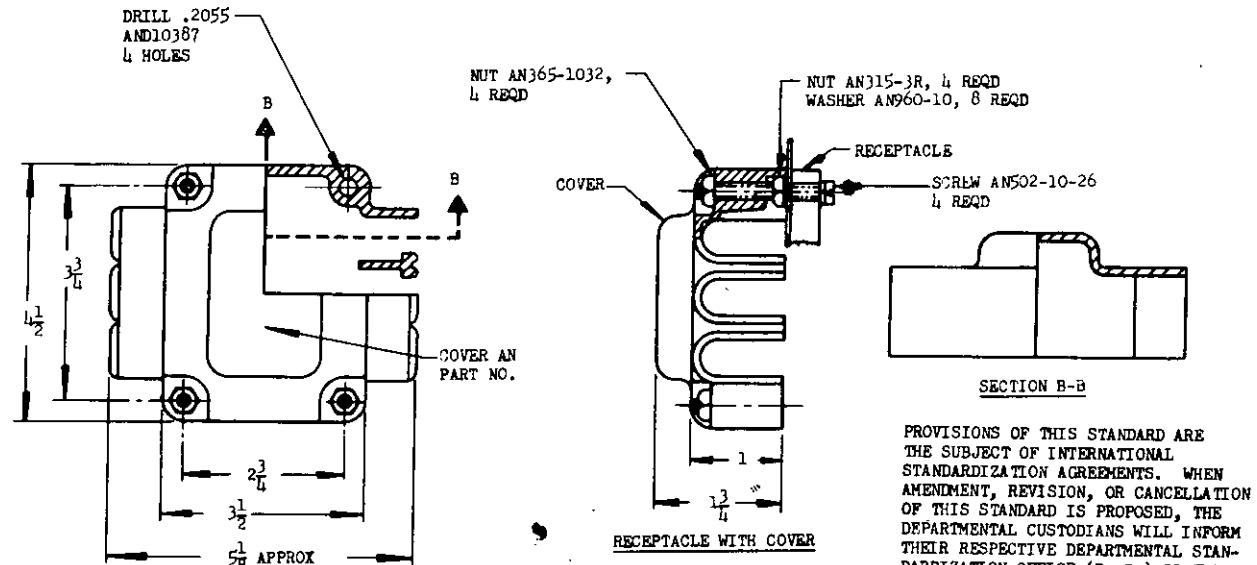
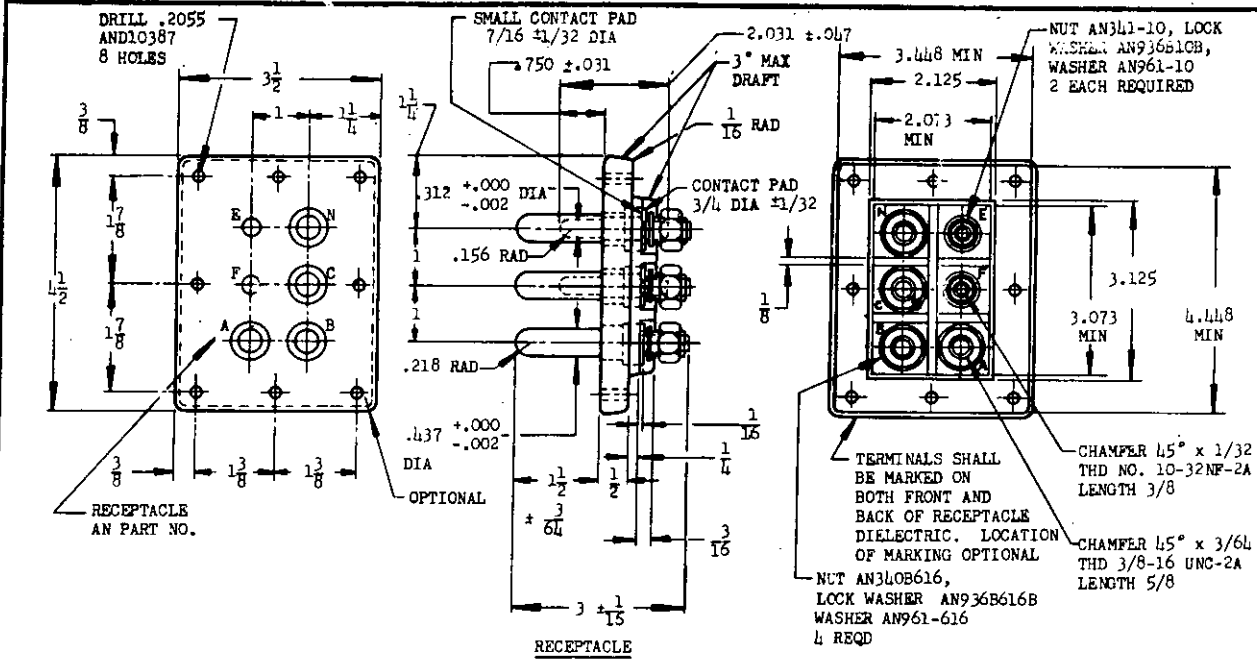


KAYABE 1000A (REV. 1-51)

NOTICE: When Government drawings, specifications, or other data are used for any purpose other than in connection with a procurement operation, the United States Government hereby disclaims any responsibility, nor any obligation whatsoever; and it is the responsibility of the contractor to protect the Government against any and all claims, damages, losses, and expenses, including reasonable attorneys' fees, that may be incurred by or for the Government in any manner whatsoever, or for any other person or corporation, or conveying any rights or permission to manufacture, use, or sell any patented invention that may in any way be related thereto.

Department of the Air Force has approved this drawing in accordance with standard specifications for the same product and shall be responsible for the procurement of aeronautical supplies, or for use in new designs, not later than 6 months after the latest date of approval shown.



	AN PART NO.		
	WITHOUT COVER	WITH COVER	COVER
(a)	AN3114-1A	AN3114-2	AN3114-3
(b)	AN3114-1B	AN3114-2A	AN3114-3A

(a) PREVIOUS PART NUMBER AN3114-1 INACTIVE FOR DESIGN AFTER 7 APRIL 1950. PART NUMBER AN3114-1A REPLACES AND IS INTERCHANGEABLE WITH PART NUMBER AN3114-1.

(b) PART NUMBERS AN3114-1A, AN3114-2, AND AN3114-3 INACTIVE FOR DESIGN AFTER 14 FEBRUARY 1951. PART NUMBERS AN3114-1B, AN3114-2A, AND AN3114-3A REPLACE AND ARE INTERCHANGEABLE WITH PART NUMBERS AN3114-1A, AN3114-2, AND AN3114-3, RESPECTIVELY. FOR DEFINITION AND APPLICATION OF DRAWING STATUS NOTES, SEE ANA BULLETIN NO. 337.

CONTACTS: E AND F TELLURIUM COPPER OR BRASS MACHINED TO PROVIDE CONTACT PAD. SILVER PLATED .0002. A, B, C, AND N TELLURIUM COPPER OR EQUAL MACHINED TO PROVIDE CONTACT PAD, SILVER PLATED .0002.

MATERIAL: BASE; THERMOSETTING PLASTIC, SPECIFICATION MIL-P-15037.

COVER: SHATTERPROOF SYNTHETIC RUBBER OR PHENOLIC COMPOUND. 90-110 SHORE HARDNESS, TEMPERATURE RANGE -65° TO +75°C.

DIMENSIONS IN INCHES. UNLESS OTHERWISE SPECIFIED, TOLERANCES: FRACTIONS ±1/64, DECIMALS ±.005, ANGLES ±1/2°.

ALL THREADS SPECIFICATION MIL-S-7742.

11 CANCELED AFTER 15 Mar 32. SUPERSEDED BY MS 3505 and MS 90362.

PROCUREMENT SPECIFICATION MIL-C-7974	AIR FORCE-NAVY AERONAUTICAL STANDARD RECEPTACLE, EXTERNAL POWER 115/200 VOLTS, 3 PHASE	AN3114
---	--	--------

APPROVED 30 Sep 48 REVISED 1 8 Nov 48 2 7 Apr 50 3 14 Feb 51 4 14 Jan 52 5 14 Aug 53 6 30 Jul 54 7 20 Oct 54 8 25 Jan 55 9 1 Nov 55 10 28 Jun 57