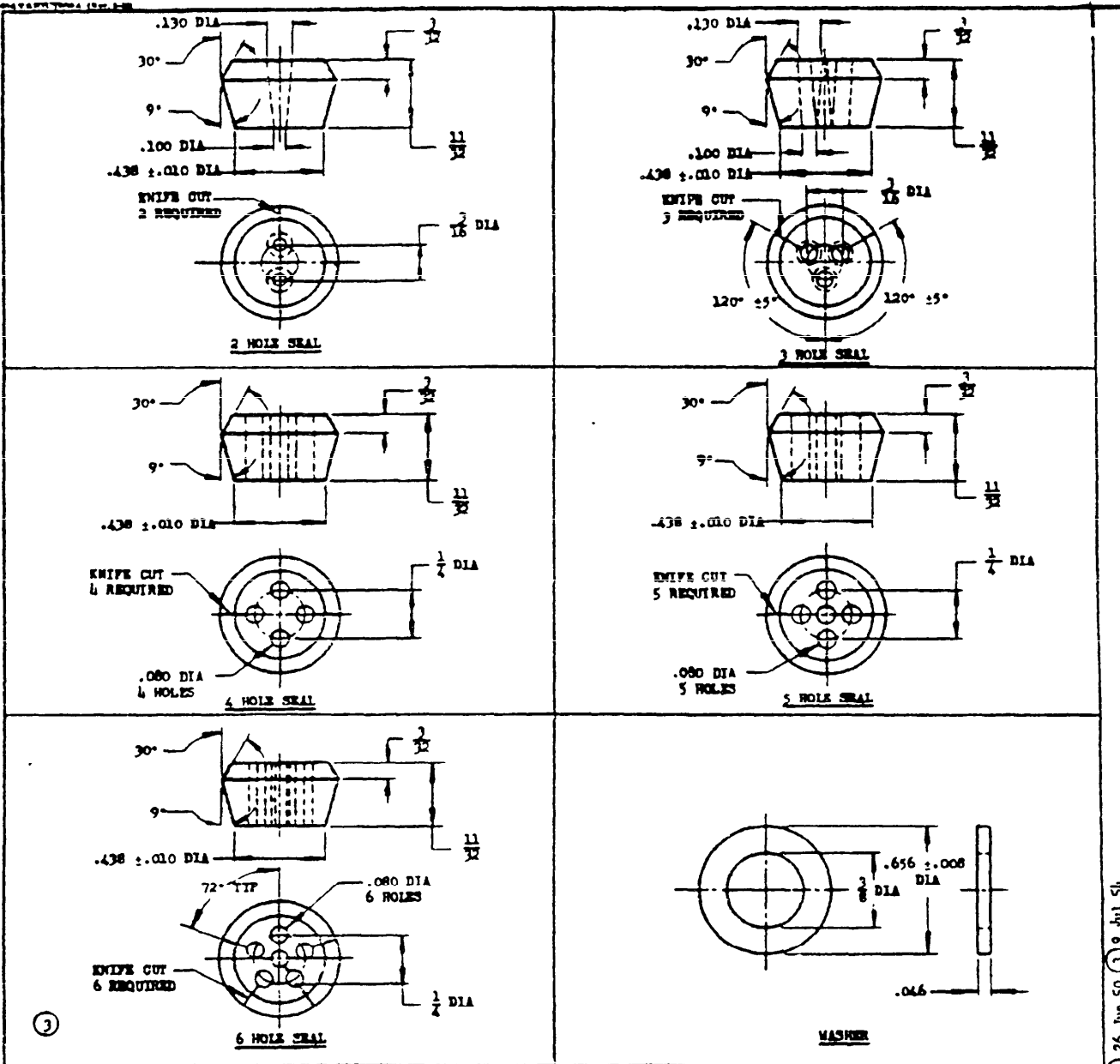


NOTICE: When Government drawings, specifications, or other data are used for any purpose other than in connection with a definite related Government procurement operation, the United States Government hereby disclaims any responsibility for any infringement whatsoever, and the fact that the Government may have furnished (directly or indirectly) copies of such data does not constitute an authorization or endorsement, or other form of approval or recommendation, or any other form of endorsement, or carrying any right of preference in subsequent purchase, sale, or use of any product or information that may in any way be related thereto.

NOTE: This drawing was approved by joint action of the Air Force and Navy Departments as the Air Force-Navy standard for this product. This drawing supersedes all extended standard drawings for this same product and shall become obsolete for the procurement of aeronautical equipment, or for use in aircraft, on or after the date specified above.



AIR FORCE-NAVY PART NO.	SEALS		WASHER
	PART NO.	HOLES	
AN3067-2	AN306732	2	(a) AN3067W3
AN3067-3	AN306733	3	
AN3067-4	AN306734	4	
AN3067-5	AN306735	5	
AN3067-6	AN306736	6	

(a) PART NO. AN3067W2 INACTIVE FOR DESIGN AFTER 26 JUNE 1950. PART NO. AN3067W3 REPLACES AND IS INTERCHANGEABLE WITH AN3067W2. FOR DEFINITION AND APPLICATION OF DRAWING STATUS NOTES, SEE AIA BULLETIN NO. 277. THIS ASSEMBLY IS FOR USE WITH CONDUIT BOSS, ANE10051-6, TYPE 1. USE NUT AN9051-6.

(3) MATERIAL: SEAL, SYNTHETIC RUBBER, SOFT. WASHER, FABRIC BASE PNEUMATIC, TYPE F80, SPECIFICATION MIL-P-15055. DIMENSIONS IN INCHES. UNLESS OTHERWISE SPECIFIED, TOLERANCES: FRACTIONS ± 1/64, DECIMALS ± .005, ANGLES ± 1°.

L76

PROCUREMENT SPECIFICATION	AIR FORCE-NAVY AERONAUTICAL STANDARD	AN3067
	SEAL ASSEMBLY - 3/8 INCH CONDUIT BOSS	

APPROVED 13 JUL 55 REVISED 18 SEP 47 (2) 26 JUN 50 (1) 9 JUL 54

INCH-POUND

AN3067 REV. 3  
AMENDMENT 1  
14 December 1994

MILITARY SPECIFICATION SHEET

SEAL ASSEMBLY - 3/8 INCH CONDUIT BOSS

This amendment forms a part of AN3067 REV. 3, dated 9 JUL 1954, and is approved for use by all Departments and Agencies of the Department of Defense.

PAGE 1

Delete:

MATERIAL: SEAL, SYNTHETIC RUBBER, SOFT, .  
WASHER, FABRIC BASE PHENOLIC, TYPE FBG, SPECIFICATION  
MIL-B-15035.

Substitute with:

MATERIAL: SEAL, SYNTHETIC RUBBER, SOFT, .  
WASHER, INSULATION, PLASTIC, LAMINATED THERMOSETTING, COTTON-  
FABRIC-BASE, PHENOLIC-RESIN (FBG), SPECIFICATION MIL-I-24768/14.

Custodians:

Air Force - 99

Preparing Activity:  
DLA-IS  
(Project No. 5330-0953)

Review activities:

Air Force - 82

AMSC N/A

1 of 1

FSC 5330

DISTRIBUTION STATEMENT A. Approved for public release, distribution is unlimited.