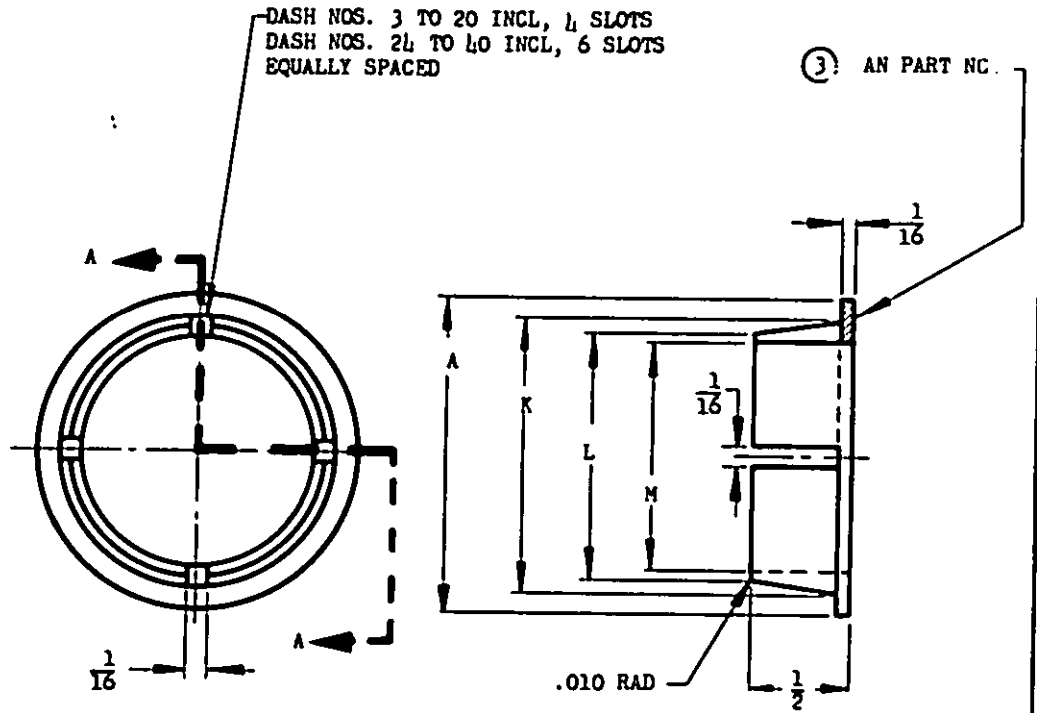


NOTE.—When Government drawings, specifications, or other data are used for any purpose other than in connection with a definitely related Government procurement operation, the use of such drawings, specifications, or other data is not to be construed as an acknowledgment, approval, or endorsement by the Government, nor any obligation whatsoever, and the fact that the Government may have furnished, furnished, or in any way authorized the use of such drawings, specifications, or other data is not to be regarded as an admission or acknowledgment in any manner, including the holder or any other person or corporation, or conveying any rights or permission to manufacture, use, or sell any patented invention that may in any way be related thereto.

This drawing is approved by joint action of the Air Force and Navy Departments as the Air Force standard for this product. This drawing represents an independent standard and is not to be used for procurement of aeronautical supplies, or for any other purpose, without the written consent of the Air Force and Navy Departments.



SECTION A-A

AN PART NO.	CONDUIT SIZE	A DIA	K DIA	L DIA	M DIA
AN3053-3	3/16	.448	.332	.219	.198
AN3053-4	1/4	.566	.394	.281	.260
AN3053-6	3/8	.682	.519	.406	.385
AN3053-8	1/2	.807	.669	.556	.510
AN3053-10	5/8	.932	.794	.681	.635
AN3053-12	3/4	1.105	.929	.816	.760
AN3053-16	1	1.355	1.214	1.101	1.010
AN3053-20	1-1/4	1.668	1.469	1.356	1.261
AN3053-24	1-1/2	1.918	1.724	1.611	1.511
AN3053-28	1-3/4	2.160	1.976	1.863	1.761
AN3053-32	2	2.410	2.229	2.116	2.011
AN3053-40	2-1/2	2.910	2.744	2.631	2.512

MATERIAL: ALUMINUM, SPECIFICATION QQ-A-411, WW-T-783, OR QQ-A-591.

EXAMPLE OF PART NO.: AN3053-4 = FERRULE FOR 1/4 OD CONDUIT.

REMOVE ALL BURRS AND SHARP EDGES.

DIMENSIONS IN INCHES. UNLESS OTHERWISE SPECIFIED, TOLERANCES: FRACTIONS $\pm 1/64$, DECIMALS $\pm .005$.

PROCUREMENT SPECIFICATION NONE	AIR FORCE-NAVY AERONAUTICAL STANDARD	AN3053
	FERRULE - RIGID CONDUIT	

APPROVED 2 Feb 40 REVISED 1 8 Dec 41 2 2 Apr 47 3 13 May 52