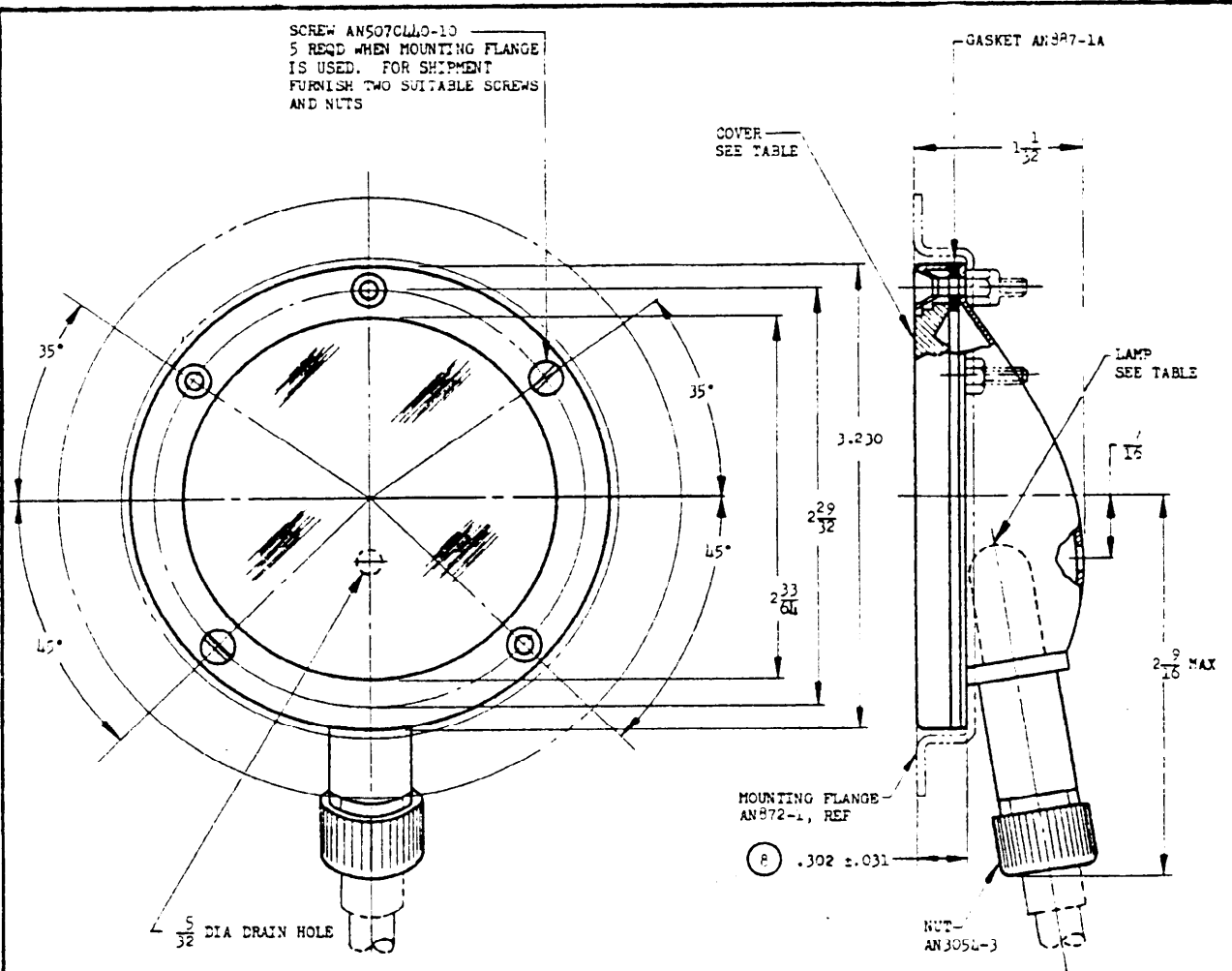


NOTICE: When Government drawings, specifications, or other data are used for any purpose other than in connection with a definitely related Government procurement operation, the United States Government thereby incurs no responsibility, nor any obligation whatsoever; and the fact that the Government may have furnished, furnished, or in any way supplied the said drawings, specifications, or other data is not to be regarded by implication or otherwise as in any manner licensing the holder or any other person or corporation, or conveying any rights or permission to manufacture, use, or sell any patented invention that may in any way be related thereto.

NOTE: This drawing was approved by Joint action of the Air Force and Navy Departments as the Air Force-Navy standard for this product. This drawing conforms to all pertinent standard drawings for the same product and shall become effective for the procurement of aeronautical supplies, or for use in new design, not later than 6 months after the latest date of approval above.



AN ASSY PART NO.		LAMP		COVER	
WITH LAMP AND COVER	WITHOUT LAMP AND COVER	AN PART NO.	VOLTAGE	AN PART NO.	COLOR
(b) AN3030-5A	(a) AN3030-9A	AN3121-313	28	AN3040-1B	LUNAR WHITE
(b) AN3030-6A		AN3121-313	28	AN3040-2B	AMBER
(b) AN3030-7A		AN3121-313	28	AN3040-3B	RED
(b) AN3030-8A		AN3121-313	28	AN3040-4B	GREEN

(a) PREVIOUS PART NUMBER AN3030-9 FOR 13 VOLT LIGHT ASSEMBLIES, INACTIVE FOR DESIGN AFTER 16 MAY 1947. PART NO. AN3030-9A REPLACES AND IS INTERCHANGEABLE WITH PART NO. AN3030-9.

(b) PART NUMBERS AN3030-5, -6, -7, -8, INACTIVE FOR DESIGN AFTER 1 AUGUST 1951. PART NUMBERS AN3030-5A, -6A, -7A, -8A, REPLACE AND ARE INTERCHANGEABLE WITH PART NUMBERS AN3030-5, -6, -7, -8, RESPECTIVELY. FOR DEFINITION AND APPLICATION OF DRAWING STATUS NOTES, SEE ANA BULLETIN NO. 337.

WEIGHT: ESTIMATED .15 LB.

DIMENSIONS IN INCHES. DIMENSIONS ARE FOR REFERENCE ONLY.

THIS DRAWING IS FOR REFERENCE AND STOCK PURPOSES ONLY. FOR MANUFACTURING DETAILS SEE THE AN AERC STANDARD ISSUE OF DRAWING NAF48164.

APPROVED 9 Oct 42 REVISED 1 25 Oct 43 2 5 Jun 45 3 30 Nov 45 4 16 May 47 5 1 Aug 51 6 5 Oct 51 7 25 May 53 8 11 Jan 54

PROCUREMENT SPECIFICATION MIL-L-6723	AIR FORCE-NAVY AERONAUTICAL STANDARD	AN3030
	LIGHT ASSEMBLY - CIRCULAR FORMATION	