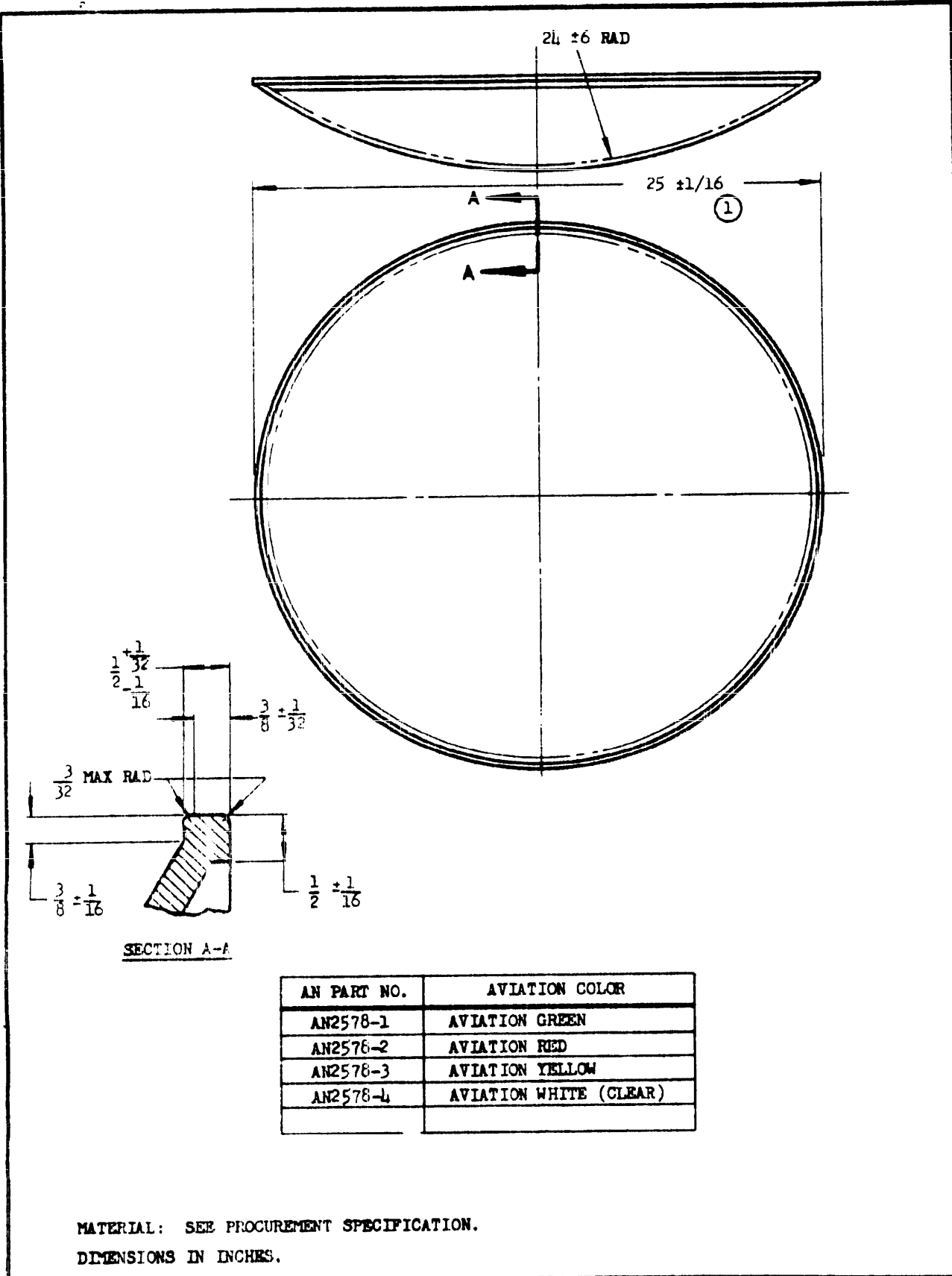


AIR FORCE
 This drawing was prepared by joint action of the **AIR FORCE** and **NAVY** Departments and for this product. This drawing conforms to the standard drawing practices of the **AIR FORCE** and **NAVY** Departments and shall become effective for the production of parts after the latest date of approval shown.

NOTICE: When Government drawings, specifications, or related Government information are used for any purpose other than in connection with a specific Government procurement operation, the United States Government assumes no responsibility, and it is hereby stated that the Government may have formulated, furnished, or in any way disclosed information, data, or drawings, or that it holds or may hold any other rights or patents in connection with the manufacture, use, or sale of any patented invention that may in any way be related thereto.



SECTION A-A

AIR PART NO.	AVIATION COLOR
AN2578-1	AVIATION GREEN
AN2578-2	AVIATION RED
AN2578-3	AVIATION YELLOW
AN2578-4	AVIATION WHITE (CLEAR)

MATERIAL: SEE PROCUREMENT SPECIFICATION.
DIMENSIONS IN INCHES.

PROCUREMENT SPECIFICATION MIL-I-5630	AIR FORCE-NAVY AERONAUTICAL STANDARD	AN2578
	COVER, DRUM-TYPE ROTATING BEACON, 2 1/2-INCH	

APPROVED 15 Feb 50 **REVISED 1 15 Feb 57**