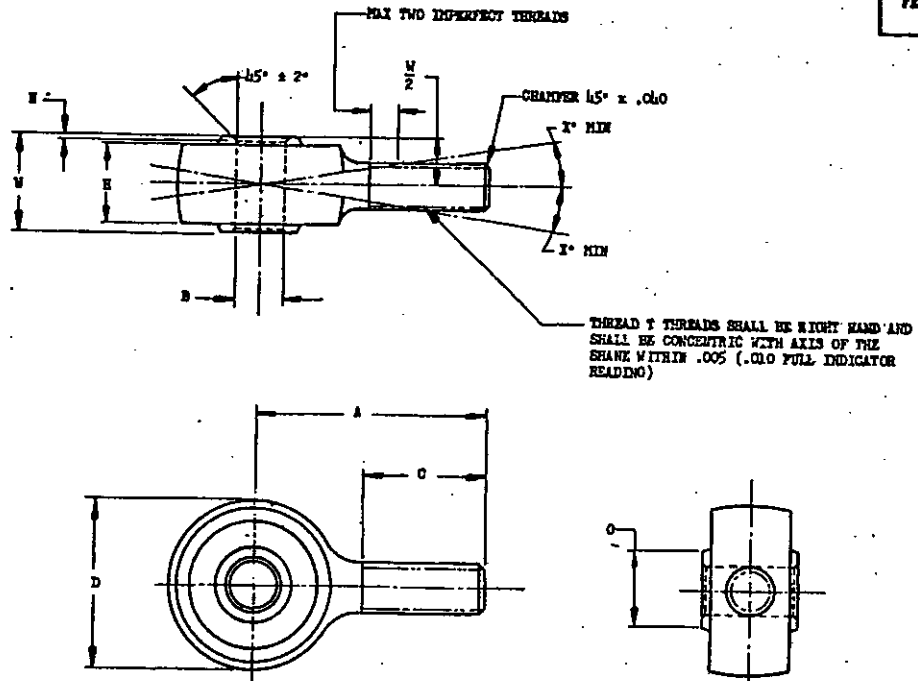


(PROJECT NO. 3120-0349)

FED BUY CLASS
3120



NOTE: When dimensions, specifications, or other data are used for any purpose other than to procure other than the exact item specified, the United States Government hereby disclaims any responsibility. It is the responsibility of the user to determine the applicability of the data to his use. The Government makes no warranty, expressed or implied, and it may be necessary to consult the manufacturer or other data sources to determine the applicability of the data to his use. The Government is not responsible for any damage or injury to persons or property resulting from the use of this data.

NOTE: This drawing was approved by field offices of the Air Force and Navy Departments on the 14th June 71. It is intended for use in the procurement of standard components for the Air Force and Navy. The drawing is not intended for use in the procurement of nonstandard components. The drawing is not intended for use in the procurement of components for other than the Air Force and Navy. The drawing is not intended for use in the procurement of components for other than the Air Force and Navy. The drawing is not intended for use in the procurement of components for other than the Air Force and Navy.

AN PART NO.	SCRE SIZE NOM.	A ±.031	B +.0020 -.0000 DIA	C +.052 -.031	D MAX DIA	B MAX	(a) H +.015 -.000	O MIN DIA	THREAD T NF-3	W +.000 -.005	X° MIN
AN947-3	NO. 10	1.375	.1895	.750	.781	.326	.010	.312	1/8 -26	.637	9° 15'
AN947-4	1/4	1.375	.2895	.750	.938	.168	.022	.375	5/16 -24	.625	10° 30'
AN947-5	5/16	1.625	.3120	.812	1.250	.656	.022	.469	5/16 -24	.812	11° 30'
AN947-6	3/8	2.000	.3745	1.062	1.500	.750	.022	.562	3/8 -24	.937	10° 15'
AN947-8	1/2	2.375	.4995	1.250	1.750	.812	.032	.750	1/2 -20	1.000	9° 0'
AN947-10	5/8	2.750	.6285	1.500	2.000	.937	.044	.938	5/8 -18	1.125	10° 30'

(a) A RADIUS GIVING THE SAME FILLET CLEARANCE WILL BE ACCEPTABLE.

AN PART NO.	ENGINEERING DATA			
	RADIAL TEST LOADS		AXIAL TEST LOADS	
	(b) NONDEFORMATION LOAD POUNDS	ULTIMATE POUNDS	(b) NONDEFORMATION LOAD POUNDS	ULTIMATE POUNDS
AN947-3	650	1 300	460	920
AN947-4	1100	2 200	760	1520
AN947-5	2100	4 200	1480	2960
AN947-6	3200	6 400	2240	4430
AN947-8	4500	9 000	3160	6320
AN947-10	5700	11 400	4 000	8000

Ⓐ INACTIVE FOR DESIGN AFTER 14 MAY 71 NO SUPERSEDING STD.
 (b) APPLY LOAD FOR ONE HOUR
 MATERIAL: STEEL. SEE PROCUREMENT SPECIFICATION. (SEE MIL-STD-32)
 FINISH: CADMIUM PLATE, SPECIFICATION QQ-P-416 OR ZINC PLATE SPECIFICATION AN-P-32. SEE PROCUREMENT SPECIFICATION.
 REMOVE ALL BURRS AND SHARP EDGES.
 DIMENSIONS IN INCHES. UNLESS OTHERWISE SPECIFIED, TOLERANCES: DECIMALS ±.005.

PROCUREMENT SPECIFICATION MIL-B-5629	AIR FORCE-NAVY AERONAUTICAL STANDARD	AN947
	BEARING - ROD END, EXTERNAL THREAD, SELF-ALIGNING, PLAIN, AIRFRAME	

APPROVED 28 FEB 50 REVISED 14 MAY 71