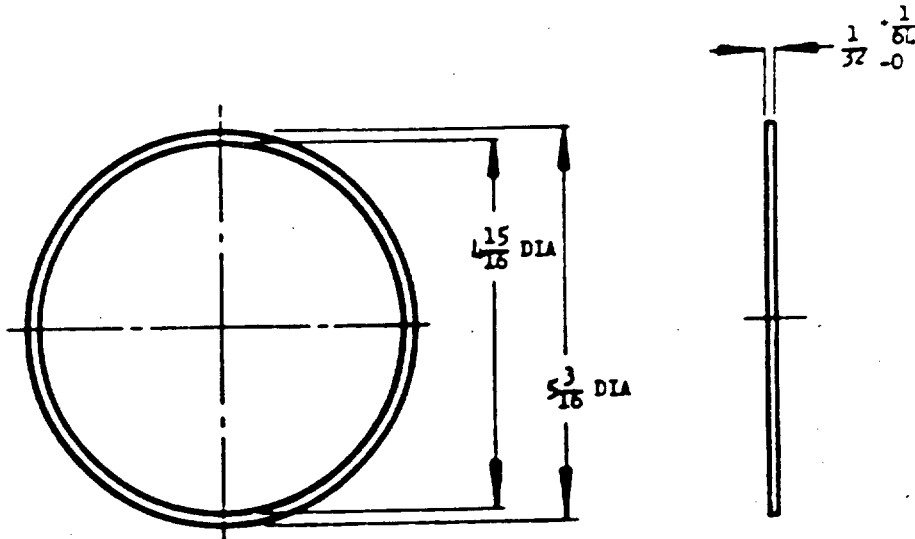


DATA SHEET

NOTES - When Government drawings, specifications, or other data are used for any purpose other than in connection with a definitely related Government procurement operation, the United States Government thereby incurs no responsibility, nor any obligation whatever, or the fact that the Government may have furnished, or in any way supplied the said drawings, specifications, or other data shall be taken to be regarded by the contractor as an acknowledgment of the Government's position of proprietorship, or conveying any right or permission to manufacture or use in any particular device, that may in any way be related thereto.

NOTE - This drawing was prepared by the Office of the Chief of Staff and Staff, Department of the Air Force, and is intended for use in the procurement of aircraft. It is not to be used for any other purpose without the express approval of the Office of the Chief of Staff and Staff, Department of the Air Force.



AN PART NO.
AN896-1

- ① MATERIAL: SB-415FF OF SPECIFICATION MIL-R-3065.
- DIMENSIONS IN INCHES. UNLESS OTHERWISE SPECIFIED, TOLERANCES: FRACTIONS $\pm 1/64$.

PROCUREMENT SPECIFICATION	AIR FORCE-NAVY AERONAUTICAL STANDARD		AN896
	NONE	CASEIT, CABIN DOME-LIGHT COVER	

APPROVED 21 NOV 67 REVISED 1 21 AUG 55