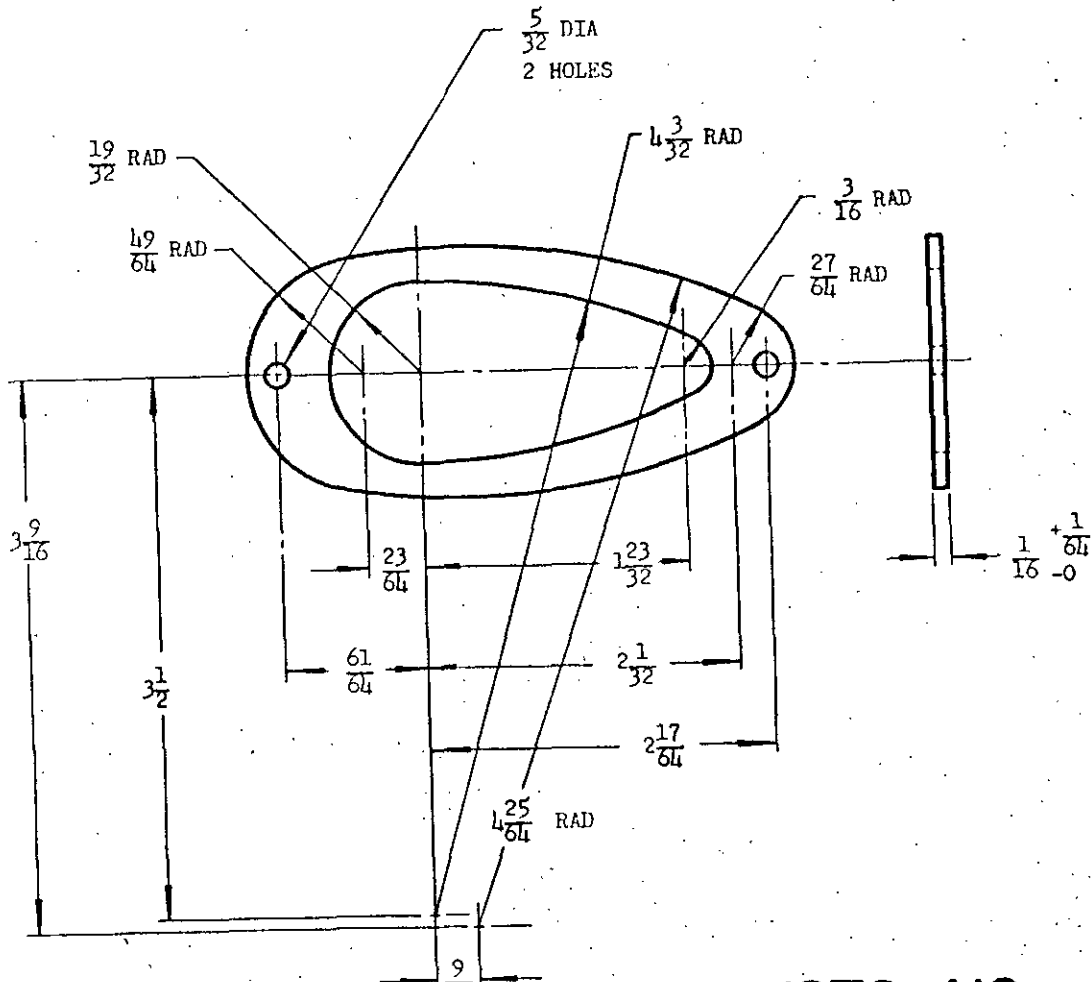


NAVAIR 10800

NOTICE.—When Government drawings, specifications, or other data are used for any purpose other than in connection with a definitely related Government procurement operation, the United States Government therefrom, including any obligation, whatsoever, shall be assumed by the contractor. It is the policy of the United States Government to encourage and assist the fullest dissemination of technical information, wherever possible, to promote the progress of science and technology. The Government may have formulated, furnished, or in any way disclosed technical information, or other data, which is not to be released by simple reproduction, or otherwise, in any manner, licensing, or otherwise, without the express written permission of the manufacturer, user, or seller of any patented invention that may in any way be related thereto.



CANCELED AFTER 14 SEPT. 1976 NO SUPERSEDING STANDARDS (2)

AN PART NO.
AN886-1

MATERIAL: SBH15FF OF SPECIFICATION MIL-R-3065.

DIMENSIONS IN INCHES. UNLESS OTHERWISE SPECIFIED, TOLERANCES: FRACTIONS $\pm 1/64$.

NOTE.—This drawing was prepared by joint action of the Air Force and Navy Department as the Air Force-Navy standard for the procurement of aeronautical supplies, drawings for the procurement of aeronautical supplies, and shall become effective for the procurement of aeronautical supplies, or for use in new design, not later than six months after the latest date of approval shown.

PROCUREMENT SPECIFICATION NONE	AIR FORCE-NAVY AERONAUTICAL STANDARD	AN886
	GASKET, ANCHOR-LIGHT COVER	

APPROVED 9 Dec 12 REVISED 1 23 Aug 55 2 14 Sept 1976