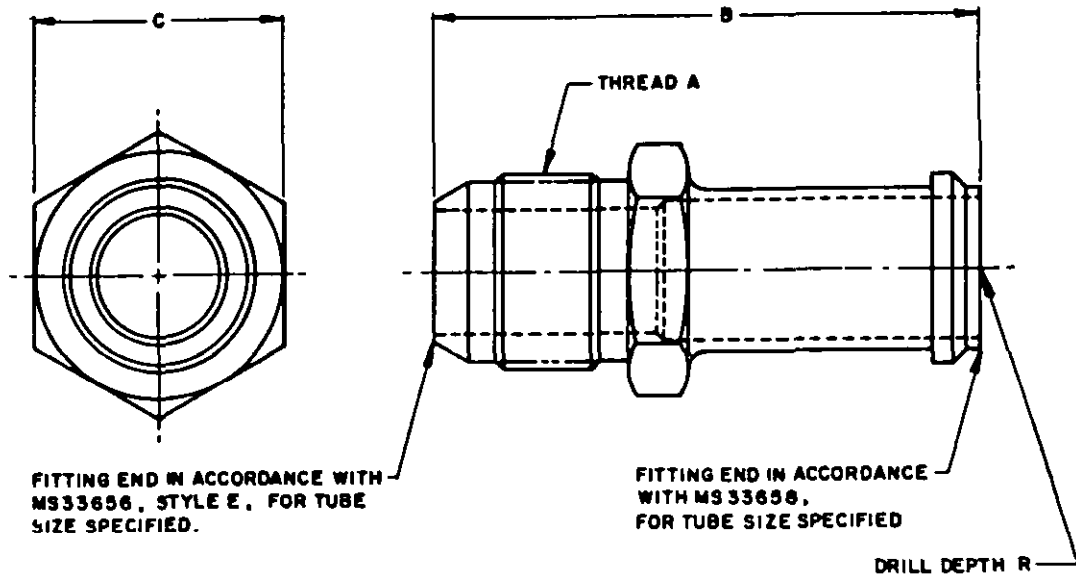


USER ACTIVITIES



REVIEWER ACTIVITIES
ARMY - MI

5

DASH NO.		HOSE ID	TUBE OD	THREAD A REF	B ±1/32	C	R
COPPER ALLOY	AL ALLOY						
-4	-4D	1/4	1/4	7/16-20 UNJ-3A	2-1/4	.688	1-5/8
-6	-6D	3/8	3/8	9/16-18 UNJ-3A	2-5/16	.813	
-8	-8D	1/2	1/2	3/4-16 UNJ-3A	2-7/16	1.000	
-10	-10D	5/8	5/8	7/8-14 UNJ-3A	2-9/16	1.125	
-12	-12D	3/4	3/4	1-1/16-12 UNJ-3A	2-11/16	1.375	
-16	-16D	1	1	1-5/16-12 UNJ-3A	2-25/32	1.625	

MATERIAL: COPPER ALLOY - BARS.
ALUMINUM ALLOY - BARS.
SEE PROCUREMENT SPECIFICATION.

FINISH: SEE PROCUREMENT SPECIFICATION.

EXAMPLES OF PART NOS: AN841-6 = ADAPTER, 3/8 (6/16) ID HOSE, COPPER ALLOY.
AN841-6D = ADAPTER, 3/8 (6/16) ID HOSE, ALUMINUM ALLOY.

BREAK ALL SHARP EDGES AND REMOVE ALL HANGING BURRS AND SLIVERS WHICH MIGHT BECOME DISLOCCED UNDER USAGE.

DIMENSIONS IN INCHES, UNLESS OTHERWISE SPECIFIED, TOLERANCES: FRACTIONS ±1/64, DECIMALS ±.005 5

CANCELED 19 APRIL 1954, SEE DRAWING AN807

5 REINSTATED AS OF: 19 April 1982

This military standard is approved for use by all Departments and Agencies of the Department of Defense selection for all new engineering and design applications and for repetitive use shall be made from this document.

P. A AIR FORCE - 99 Other Cost ARMY - AV	INTERNATIONAL INTEREST	AIR FORCE-NAVY AERONAUTICAL STANDARD		AN841
		ADAPTER - HOSE TO FLARED TUBE		
PROCUREMENT SPECIFICATION MIL - F - 5509	SUPSEDED:	SHEET		OF