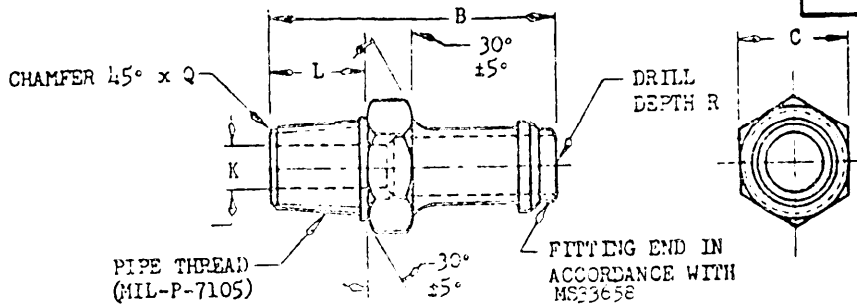


FED. SUP. CLASS
4730



Army - ME, AV
Navy - AS
Air Force - 99

User activities:

Army - ME, AV
Navy - AS
Air Force - 99
DLA-CS

Review activities:

This military standard is approved for use by all Departments and Agencies of the Department of Defense. Selection for all new engineering and design applications and for repetitive use shall be made from this document when applicable.

DASH NO.	HOSE ID	PIPE THD ANPT	B +1/32	C		R ±.003 DEA	L	Q	R	WEIGHT MAX (LBS.)			
										COPPER ALLOY	AL ALLOY	STEEL	TI ALLOY
4	1/4	1/8	2-5/64	.37	±.003		25/64	1/32		.039	.013		
6	3/8	1/4	2-11/32	.625	±.004		19/32	3/5		.069	.023		
8	1/2	3/8	2-3/8	.750	±.004		19/32	3/8		.099	.033		
9	5/8	3/8	2-3/8	.875	±.004	.403	17/32	3/8	1-5/8	.126	.042		
10	5/8	1/2	2-37/64	.937	±.004		17/32	1/16		.171	.057		
11	3/4	3/8	2-13/32	1.000	±.004	.403	17/32	3/5	1-5/8	.159	.053		
12	3/4	3/4	2-5/8	1.125	±.005		25/32	1/15		.258	.086		
13	1	3/8	2-5/8	1.250	±.005	.403	25/32	3/5	1-5/8	.258	.086		
16	1	3/4	2-5/8	1.250	±.005	(a).417 (a).736	25/32	1/16	1-21/32	.270	.090		
17	1	1	2-27/32	1.375	±.005		31/32	3/6		.381	.127		
20	1-1/4	1-1/4	2-57/64	1.750	±.016		65/64	3/6		.681	.227		
21	1-1/4	1	2-7/8	1.500	±.005	.387	31/32	3/6	1-21/32	.471	.157		
24	1-1/2	1-1/2	2-157/16	2.000	±.016		1	3/6		.825	.275		
25	1-1/2	1-1/4	2-29/32	1.750	±.016	.403	31/32	3/6	1-21/32	.705	.235		

(a) THESE DIMENSIONS ARE LIMITS AND SPECIFIED TOLERANCES DO NOT APPLY.
MATERIAL: COPPER ALLOY, ALUMINUM ALLOY; BARS. STEEL, TITANIUM ALLOY; BARS, SHAPES, OR FORGINGS.
SEE PROCUREMENT SPECIFICATION.

FINISH: SEE PROCUREMENT SPECIFICATION.
NO CODE LETTER IN PART NUMBER FOR COPPER ALLOY.

- ⓐ ADD D AFTER DASH NUMBER FOR ALUMINUM ALLOY (EXCEPT 7075-T73).
- ⓑ ADD S AFTER DASH NUMBER FOR STEEL.
- ⓓ ADD T AFTER DASH NUMBER FOR TITANIUM ALLOY.

- ⓔ ADD W AFTER DASH NUMBER FOR 7075-T73 ALUMINUM ALLOY.
- TITANIUM IS NOT RECOMMENDED FOR USE IN OXYGEN SYSTEMS.

EXAMPLES OF PART NUMBERS: AN840-6 - ADAPTER, 3/8 ID HOSE, COPPER ALLOY.
ⓐ AN840-6D - ADAPTER, 3/8 ID HOSE, ALUMINUM ALLOY (EXCEPT 7075-T73).
ⓑ AN840-6S - ADAPTER, 3/8 ID HOSE, STEEL.
ⓓ AN840-6T - ADAPTER, 3/8 ID HOSE, TITANIUM ALLOY.
ⓔ AN840-6W - ADAPTER, 3/8 ID HOSE, 7075-T73 ALUMINUM ALLOY.

BREAK ALL SHARP EDGES AND REMOVE ALL HANGING BURRS AND SLIVERS.
DIMENSIONS IN INCHES. UNLESS OTHERWISE SPECIFIED, TOLERANCES: FRACTIONS ±1/64, DECIMALS ±.005,
ANGLES ±1/2°.

FOR DESIGN FEATURE PURPOSES, THIS STANDARD TAKES PRECEDENCE OVER PROCUREMENT DOCUMENTS REFERENCED
HEREIN.
REFERENCED DOCUMENTS SHALL BE OF THE ISSUE IN EFFECT ON DATE OF INVITATIONS FOR BID.

INACTIVE FOR DESIGN AFTER 8 APRIL 1953. NO SUPERSEDING AN STANDARD. SEE MIL-STD-962 FOR STATUS
CRITERIA.

ⓐ REDRAWN

ⓐ denotes changes

P.A. Air Force-99 Other Cust	International interest	AIR FORCE - NAVY AERONAUTICAL STANDARD ADAPTER, STRAIGHT, PIPE TO HOSE	AN 840
Procurement Specification MIL-F-5509	SUPERSEDES:	USAF DRAWING 39A2447	PAGE 1 OF 1

REVISED 20 MAR 79

APPROVED 2 FEB 41