

INCH-POUND

AN818 Rev 20
w/AMENDMENT 1
23 January 2013
SUPERSEDING
AN818 Rev 20
16 February 2010

DETAIL SPECIFICATION SHEET

NUT, TUBE COUPLING, SHORT

This specification is approved for use by all Departments and Agencies of the Department of Defense .

The requirements for acquiring the product described herein shall consist of this specification sheet and SAE-AS4841.

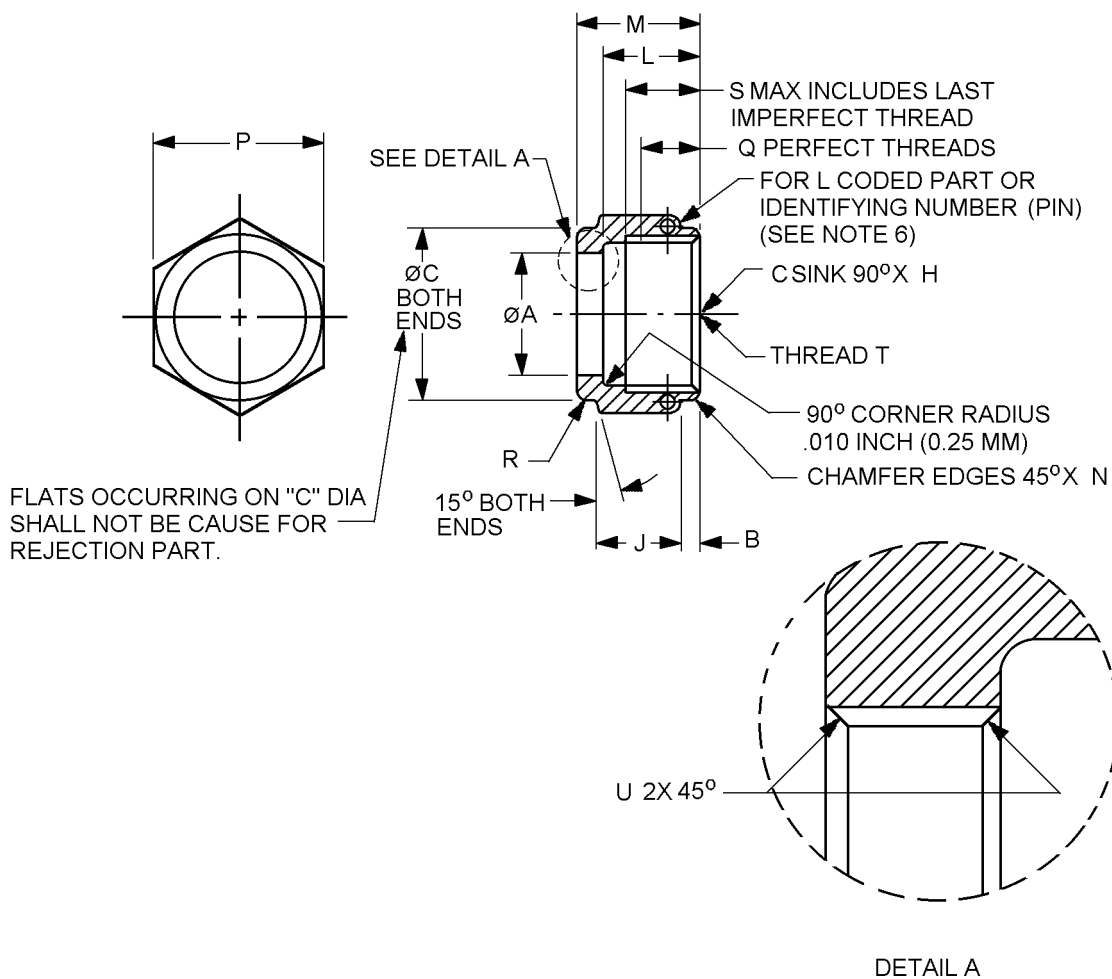


FIGURE 1. Nut, tube coupling.

AN818 Rev 20
w/AMENDMENT 1

Dash number	Tube OD inches (mm)	Thread T SAE-AS8879 (See note 5)	A dia. +.003 (0.08) -.000 inches (mm)	B inches (mm)	C dia. +.000 -.010 (0.3) inches (mm)
-2	.125 (3.18)	.3125 - 24UNJF -3B	.180 (4.57)	.109 (2.77)	.375 (9.53)
-3	.188 (4.78)	.3750 - 24UNJF -3B	.242 (6.15)	.141 (3.58)	.437 (11.10)
-4	.250 (6.35)	.4375 - 20UNJF -3B	.305 (7.75)	.125 (3.18)	.562 (14.27)
-5	.313 (7.95)	.5000 - 20UNJF -3B	.374 (9.50)	.125 (3.18)	.625 (15.88)
-6	.375 (9.53)	.5625 - 18UNJF - 3B	.440 (11.18)	.156 (3.96)	.687 (17.45)
-8	.500 (12.70)	.7500 - 16UNJF - 3B	.570 (14.48)	.156 (3.96)	.875 (22.23)
-10	.625 (15.88)	.8750 - 14UNJF - 3B	.698 (17.73)	.172 (4.37)	1.000 (25.40)
-12	.750 (19.05)	1.0625 - 12UNJ - 3B	.834 (21.18)	.125 (3.18)	1.250 (31.75)
-16	1.000 (25.40)	1.3125 - 12UNJ - 3B	1.089 (27.66)	.219 (5.56)	1.500 (38.10)
-20	1.250 (31.75)	1.6250 -12UNJ - 3B	1.347 (34.21)	.312 (7.92)	2.000 (50.80)
-24	1.500 (38.10)	1.8750 - 12UNJ - 3B	1.617 (41.07)	.359 (9.12)	2.250 (57.15)
-28	1.750 (44.45)	2.2500 - 12UNJ - 3B	1.890 (48.01)	.375 (9.53)	2.625 (66.68)
-32	2.000 (50.80)	2.500 - 12UNJ - 3B	2.167 (55.04)	.438 (11.13)	2.875 (73.03)
-40	2.500 (63.50)	3.000 - 12UNJ - 3B	2.667 (67.74)	.406 (10.31)	3.375 (85.73)
-48	3.000 (76.20)	3.500 - 12UNJ - 3B	3.180 (80.77)	.438 (11.13)	4.000 (101.60)

Dash number	H dia. +.031 (0.79) -.000 inches (mm)	J inches (mm)	L inches (mm)	M inches (mm)	N
-2	.312 (7.92)	.312 (7.92)	.460 (11.68)	.542 (13.77)	±.005 (0.13)
-3	.375 (9.53)	.375 (9.53)	.506 (12.85)	.604 (15.34)	
-4	.438 (11.13)	.406 (10.31)	.532 (13.51)	.620 (15.75)	
-5	.500 (12.70)	.484 (12.39)	.579 (14.71)	.683 (17.35)	
-6	.562 (14.27)	.500 (12.70)	.603 (15.32)	.724 (18.39)	
-8	.750 (19.05)	.578 (14.68)	.723 (18.36)	.849 (21.56)	
-10	.875 (22.23)	.688 (17.48)	.817 (20.75)	.974 (24.74)	
-12	1.062 (26.97)	.750 (19.05)	.868 (22.05)	1.021 (25.93)	
-16	1.312 (33.32)	.766 (19.46)	.962 (24.43)	1.131 (28.73)	
-20	1.625 (41.28)	.766 (19.46)	1.017 (25.83)	1.224 (31.09)	
-24	1.875 (47.63)	.875 (22.23)	1.170 (29.72)	1.412 (35.86)	
-28	2.250 (57.15)	1.000 (25.40)	1.316 (33.43)	1.568 (39.83)	
-32	2.500 (63.50)	1.078 (27.38)	1.462 (37.13)	1.740 (44.20)	
-40	3.000 (76.20)	.969 (24.61)	1.328 (33.73)	1.631 (41.43)	
-48	3.500 (88.90)	1.063 (27.00)	1.452 (36.88)	1.756 (44.60)	

FIGURE 1. Nut, tube coupling - Continued.

AN818 Rev 20
w/AMENDMENT 1

Dash number	P inches (mm)		Q min inches (mm)	R rad inches (mm)	S max inches (mm)	U inches (mm)
-2	.375 (9.53)	+.003 (0.08)	.251 (6.38)	.031 (0.79)	.376 (9.55)	.005 (0.13)
-3	.438 (11.13)		.338 (8.59)	.031 (0.79)	.428 (10.87)	
-4	.563 (14.30)		.380 (9.65)	.031 (0.79)	.500 (12.70)	
-5	.625 (15.88)		.401 (10.19)	.031 (0.79)	.542 (13.77)	
-6	.688 (17.48)	-.004 (0.10)	.413 (10.49)	.047 (1.19)	.569 (14.45)	.010 (0.25)
-8	.875 (22.23)		.484 (12.29)	.047 (1.19)	.647 (16.43)	
-10	1.000 (25.40)		.542 (13.77)	.047 (1.19)	.727 (18.47)	
-12	1.250 (31.75)		.537 (13.64)	.062 (1.57)	.753 (19.13)	
-16	1.500 (38.10)	±.016 (0.41)	.563 (14.30)	.078 (1.98)	.813 (20.65)	
-20	2.000 (50.80)			.094 (2.39)		
-24	2.250 (57.15)	±.020 (0.51)	.661 (16.79)	.094 (2.39)	.911 (23.14)	.015 (0.38)
-28	2.625 (66.68)		.730 (18.54)	.094 (2.39)	.930 (23.62)	
-32	2.875 (73.03)		.844 (21.44)	.109 (2.77)	1.094 (27.79)	
-40	3.375 (85.73)		.718 (18.24)	.109 (2.77)	.968 (24.59)	
-48	4.000 (101.60)		.781 (19.84)	.109 (2.77)	1.031 (26.19)	

NOTES:

1. Dimensions are in inches.
2. Metric equivalents are given for information only.
3. Unless otherwise specified, tolerances: Decimals ± 0.005 inch (0.13 mm), angles $\pm 5^\circ$.
4. Radius or break all corners $.005 +.005/-0.000$ inch (0.13 +0.13/-0.00 mm).
5. Dimension A and thread T shall be concentric within $.005$ inch (0.13 mm) full indicator movement.
6. Remove all burrs and slivers.
7. Safety wire holes and location in accordance with SAE-AS1043.
8. For design features purposes, this standard takes precedence over documents referenced herein.

FIGURE 1. Nut, tube coupling - Continued.

REQUIREMENTS:

Dimensions and configurations: See figure 1.

Materials: See table I, alloys in accordance with SAE-AS4841.

AN818 Rev 20
w/AMENDMENT 1

TABLE I. Material and nut alloys.

Nut AN818		
Designator	Material	Alloy
Blank	Steel	4130 or 4140
D <u>1/</u>	Aluminum	2014-T6 or 2024-T6 or T851
J	CRES	304
K	CRES	316
T <u>2/</u>	Titanium	64Al-4V
W	Aluminum	7075-T73

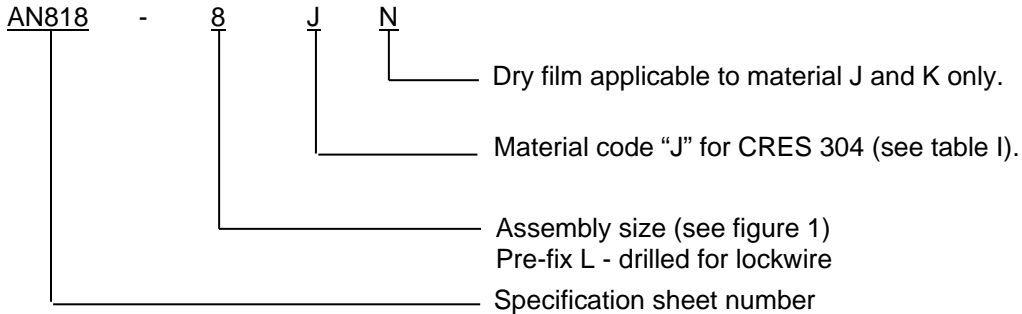
1/ Inactive for new design.

2/ Titanium shall not be used in oxygen systems.

Finish: In accordance with SAE-AS4841.

When specified dry film lubricant in accordance with MIL-PRF-46010 on all internal surfaces.
Applicable only to material designators J or K. Over spray on C dimension is permitted, see figure 1.

PIN:



PIN Examples:

AN818-8W identifies a nut assembly .500 inch (tube), without lock wire holes, aluminum (7075-T73).

AN818-L8K identifies a nut assembly .500 inch (tube), drilled for lockwire, CRES (316).

AN818-L8JN identifies a nut assembly .500 inch (tube), with lock wire holes, CRES (304), coated internally with solid film lubricant (J and K materials only).

Supersession data: Aluminum alloys 2014 and 2024 "D" designator is inactive for new design. For new design use aluminum alloy 7075 "W" designator to improve stress corrosion resistance and tensile strength.

Amendment notations. The margins of this specification are marked with vertical lines to indicate modifications generated by this amendment. This was done as a convenience only and the Government assumes no liability whatsoever for any inaccuracies in these notations. Bidders and contractors are cautioned to evaluate the requirements of this document based on the entire content irrespective of the marginal notations.

AN818 Rev 20
w/AMENDMENT 1

Referenced documents. In addition to SAE-AS4841, this document references the following:

MIL-PRF-46010
SAE-AS1043
SAE-AS8879

CONCLUDING MATERIAL

Custodians:

Army - AV
Navy - AS
Air Force - 99
DLA - CC

Preparing activity:

DLA - CC
(Project 4730-2012-087)

Review activities:

Army - CR4
Air Force - 71

NOTE: The activities listed above were interested in this document as of the date of this document. Since organizations and responsibilities can change, you should verify the currency of the information above using the ASSIST Online database at <https://assist.dla.mil>.