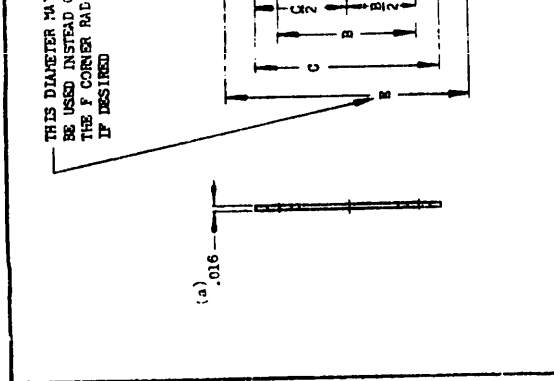
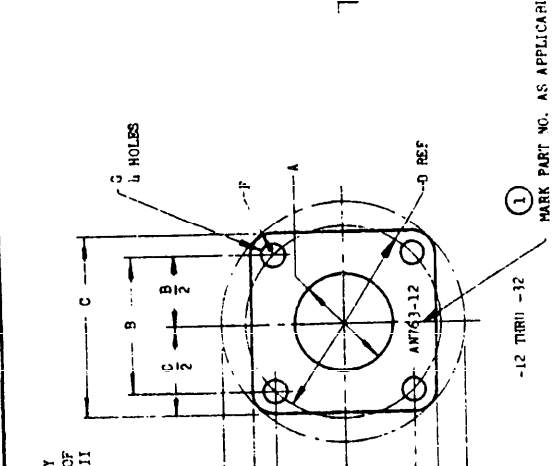
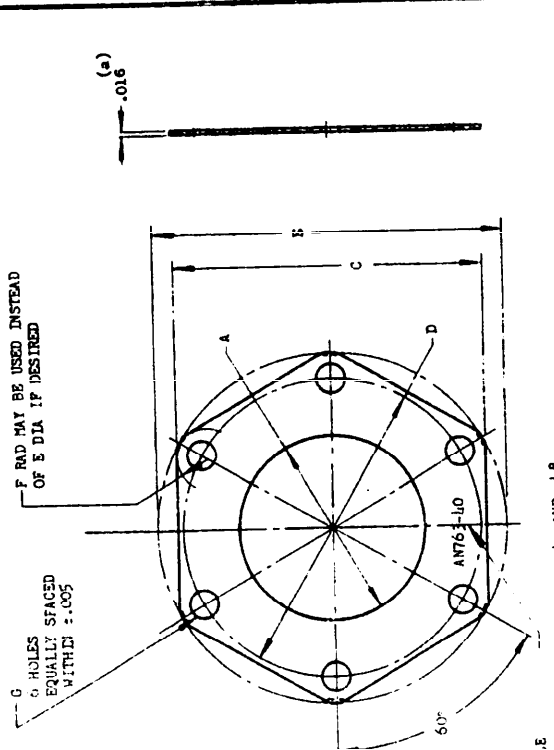


NOTE: This drawing was approved by joint action of the Air Force and Navy Departments as the Air Force-Navy combined drawing for this product. This drawing supersedes all previous drawings for the same product and shall become effective for the procurement of items specified hereon, or for use in new designs, and later than a month after the latest date of approval shown.



AN PART NO.	NOMINAL TUBE AND HOSE SIZE REF.	A DIA ±.005	B DIA ±.005	C	D DIA	E DIA	F RAD	G ±.010 - .005	WEIGHT LB. PER 100 ESTIMATED
AN763-12	.750	.688	1.156	1.594	1.635	2.094	.219	.205	.32
AN763-16	1.000	.928	1.312	1.750	1.855	2.312	.215	.205	.35
AN763-20	1.250	1.156	1.556	2.188	2.302	2.875	.266	.266	.56
AN763-24	1.500	1.406	1.812	2.375	2.562	3.094	.281	.266	.61
AN763-32	2.000	1.875	2.375	3.000	3.359	3.953	.312	.328	.93
AN763-40	2.500	2.375	3.000	4.000	4.612	4.500	.375	.328	1.34
AN763-48	3.000	2.875	3.000	4.500	4.312	5.000	.425	.328	1.66

(a) THICKNESS TOLERANCE AS SPECIFIED IN MATERIAL SPECIFICATION.  
 MATERIAL: GASKET MATERIAL SPECIFICATION MIL-G-7021, CLASS 1.  
 DIMENSIONS IN INCHES. UNLESS OTHERWISE SPECIFIED, TOLERANCES: DECIMALS ±.010, ANGLES ±.4°.  
 SHEET 2 ADDED.

PROCUREMENT SPECIFICATION  
 NONE

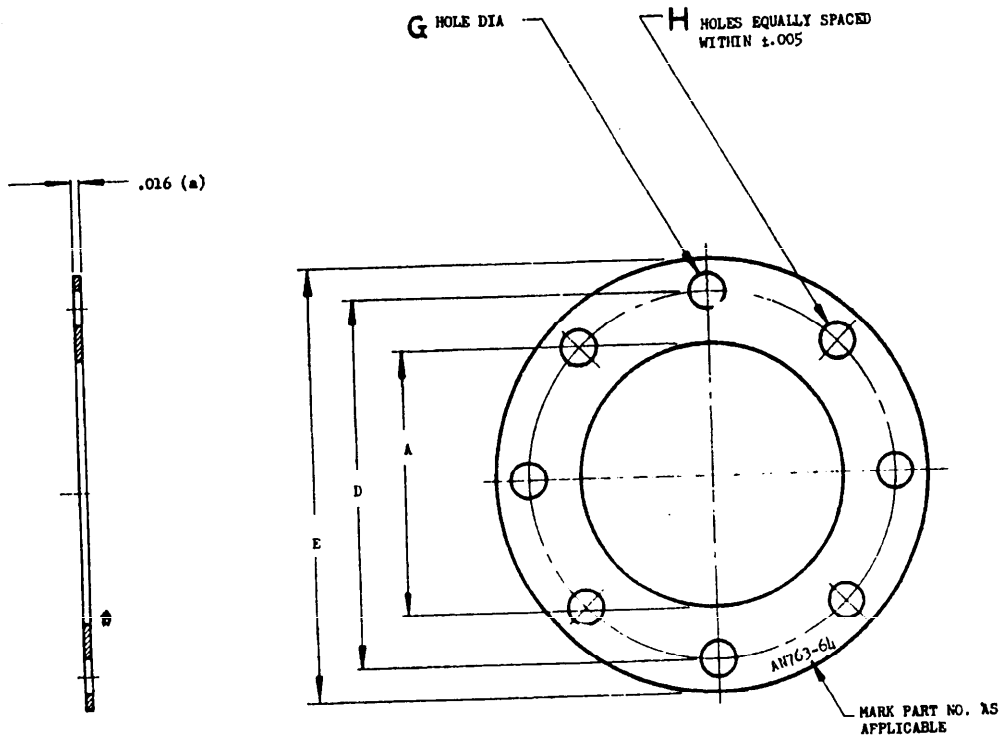
AIR FORCE-NAVY AERONAUTICAL STANDARD  
 GASKET - SWIVEL FITTING, FLANGED

AN763

1 SHEET 1 OF 2  
 SUPERSEDES USAP DRAWING 4889993

APPROVED 15 JUL 49 REVISED 1 6 AUG 52

NOTICE: When Government drawings, specifications, or other data are used for any purpose other than in connection with a definitely related Government procurement operation, the United States Government assumes no responsibility, nor any obligation whatsoever; and the fact that the Government may have furnished, furnished, or in any way supplied the said drawings, specifications, or other data is not to be regarded by implication or otherwise as in any manner endorsing (in whole or in part) any other person or corporation, or approving any rights or privileges to manufacture, use, or sell any patented invention that may in any way be related thereto.



NOTE: This drawing was approved by joint action of the Air Force and Navy Departments as the Air Force-Navy standard for this product. This drawing conforms to standard drawings for this size as published and shall become effective for the procurement of conventional supplies, or for use in new designs, on 1st October 1952, after the latest date of approval shown.

AN PART NO.	NOMINAL TUBE AND HOSE SIZE REF	A DIA	D DIA	E DIA	0 +.010 -.005	II NO. HOLES
AN763-56	3.500	3.375	4.875	5.562	.328	8
AN763-64	4.000	3.875	5.438	6.125		10
AN763-80	5.000	4.875	6.438	7.125		12
AN763-96	6.000	5.875	7.438	8.125		14
AN763-112	7.000	6.875	8.500	9.188		

SEE SHEET 1 FOR NOTES.

APPROVED 6 Aug 52 REVISED

PROCUREMENT SPECIFICATION  
NONE

AIR FORCE-NAVY AERONAUTICAL STANDARD  
GASKET - SWIVEL FITTING, FLANGED

AN763  
SHEET 2 OF 2