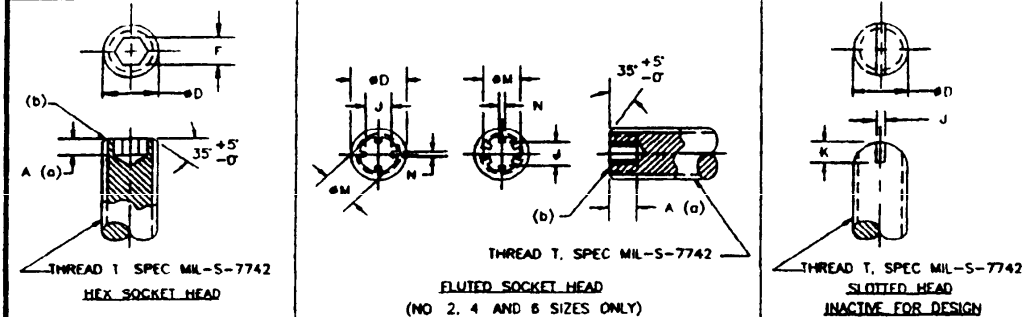
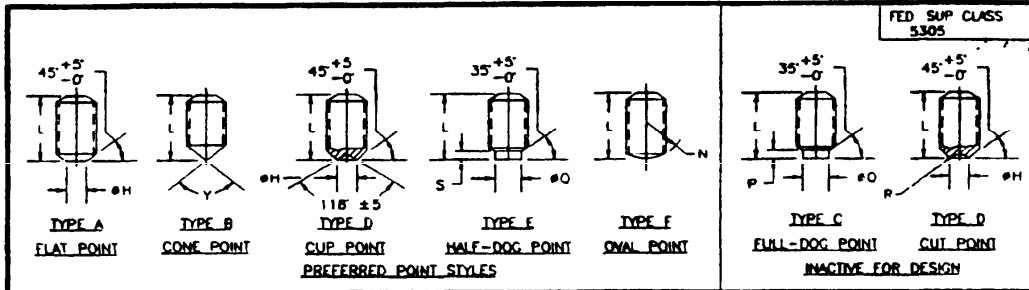


REVERSE SYMBOLS



NOTICE: When Government drawings, specifications or other data are used for any purpose other than in connection with a definitely related Government procurement transaction, the United States Government thereby incurs no responsibility, nor any obligation whatsoever, and the fact that the Government has approved a drawing, specification, or other data for a particular purpose does not constitute an endorsement or any other form of approval by the Government of the views or opinions of the manufacturer or any other person or company, or of the propriety or wisdom of any particular method, material or process, or of any other patented invention that may in any way be related thereto.

NOM SIZE	THREAD T	#D MAX	NUMBER OF FLUTES	FLUTED SOCKET HEAD					
				J SOCKET DIAMETER, MINOR		M SOCKET DIAMETER, MAJOR		N SOCKET LAND WIDTH	
				MAX	MIN	MAX	MIN	MAX	MIN
NO 2	NO 2-56UNC-3A	086	4	038	0375	050	049	017	.016
NO 4	NO 4-40UNC-3A	112	6	051	050	062	061	014	013
NO 6	NO 6-32UNC-3A	138	4	056	.055	.079	078	.023	022

NO'S 2 AND 6 ARE INACTIVE FOR NEW DESIGN AFTER 15 MAY 1994

APPROVED FOR PUBLIC RELEASE DISTRIBUTION IS LIMITED TO THE GENERAL PUBLIC. THIS DOCUMENT IS APPROVED FOR RELEASE BY THE AIR FORCE AND NAVY. THE AIR FORCE AND NAVY HAVE REVIEWED THIS DOCUMENT AND DETERMINED THAT IT CONTAINS NEITHER RECOMMENDATIONS NOR CONCLUSIONS OF THE GOVERNMENT. IT IS THE PROPERTY OF THE AIR FORCE AND NAVY AND IS LOANED TO YOUR ORGANIZATION; IT AND ITS CONTENTS ARE TO BE RETURNED TO THE AIR FORCE AND NAVY WHEN REQUESTED.

NOM SIZE	THREAD T	#D MAX	HEX SOCK HEAD		SLOTTED HEAD		TYPES A AND D		TYPE B		TYPES E AND C		TYPE F				
			F	E	J	K	#H	R	Y		#Q	S		P			
									118 ± 2 FOR LENGTHS AND UNDER	90 ± 2 FOR LENGTHS AND OVER							
NO 2	NO 2-56UNC-3A	086	0355	0350	.052	.018	.022	.047	.039	031	3/32	7/64	057	.053	022	.043	183
NO 3	NO 3-48UNC-3A	.089	0510	0500	.080	.018	.025	.054	.045	.037	7/64	1/8	086	.082	.025	.050	078
NO 4	NO 4-40UNC-3A	112	0510	0500	.087	.020	.028	.061	.051	.040	1/8	5/32	.075	.070	028	056	.084
NO 5	NO 5-40UNC-3A	125	0635	0625	.075	.023	.031	.067	.057	.045	1/8	3/16	.083	078	.030	.060	094
NO 6	NO 6-32UNC-3A	138	0635	0625	.083	.025	.036	.074	.064	.045	1/8	3/16	.092	.087	.035	.070	109
NO 8	NO 8-32UNC-3A	164	0791	0781	.099	.028	.041	.087	.078	.050	3/16	1/4	.109	103	040	080	125
NO 10	NO 10-24UNC-3A	190	.0947	.0837	.114	.032	.048	102	.088	.060	3/16	1/4	127	120	045	090	141
NO 10	NO 10-32UNF-3A	190	0947	0837	144	.032	048	102	.088	.060	3/16	1/4	127	120	045	090	141
1/4	1/4-20UNC-3A	.250	1270	1250	.151	.045	.063	.132	118	.080	1/4	5/16	.156	149	063	125	188
1/4	1/4-28UNF-3A	.250	1270	1250	151	.045	.063	.132	118	.080	1/4	5/16	156	149	063	125	188
3/16	3/16-18UNC-3A	3125	1582	1562	188	.051	.078	172	156	.080	5/16	3/8	203	195	078	156	234
5/16	5/16-24UNF-3A	3125	1582	1562	188	.051	.078	172	156	.080	5/16	3/8	203	195	078	156	234
3/8	3/8-16UNC-3A	375	1895	1875	.226	.064	.094	.212	194	.094	3/8	7/16	250	241	094	188	281
3/8	3/8-24UNF-3A	375	1895	1875	.226	.064	.094	.212	194	.094	3/8	7/16	250	241	094	188	281
1/2	1/2-13UNF-3A	500	2520	2500	.301	.081	125	291	270	.125	1/2	9/16	344	334	125	250	375
1/2	1/2-20UNF-3A	500	2520	2500	.301	.081	125	291	270	.125	1/2	9/16	344	334	125	250	375

ENTIRE STANDARD REVISED

P.A. DLA-IS	AIR FORCE - NAVY AERONAUTICAL STANDARD	AN56.5
Other Cust	SETScrew-HEXAGON AND FLUTED SOCKET, HEADLESS	
PROCUREMENT SPECIFICATION FT-5-200	SUPERSEDES USAF DRAWINGS 565 AND 586	SHEET 1 OF 3

PREVIOUS EDITIONS OF THIS FORM ARE OBSOLETE

PROJECT NO 5305-2031

APPROVED 26 FEB 54 (1) REVISED (2) 24 JUN 60 (3) 29 DEC 72 (4) 8 NOV 74 (5) 23 JUN 75 (6) 15 MAY 1994

FED SUP CLASS
5305

THE NO 7 SIZE IS NON-PREFERRED FOR AIRFRAME USE
 NO 3-48, NO 5-40, NO 10-24 1/4-20 5/16-18, 3/8-16 AND 1/2-13 COARSE THREAD SETSCREWS
INACTIVE FOR NEW DESIGN AFTER 1 JULY 1954
 NO 4-1 IS INACTIVE FOR NEW DESIGN AFTER 15 MAY 1994

COARSE
THREADS

L LENGTH	DASH NUMBERS										
	NO 2-56	NO 3-48	NO 4-40	NO 5-40	NO 6-32	NO 8-32	NO 10-24	1/4-20	5/16-18	3/8-16	1/2-13
1/16 ± 010	2-1										
1/8 ± 010	2-2										
3/16 ± 010	2-3										
1/4 ± 010	2-4										
5/16 ± 010	2-5										
3/8 ± 010											
7/16 ± 010											
1/2 ± 010											
9/16 ± 010											
5/8 ± 010											
3/4 ± 011											
7/8 ± 013											
1 ± 015											
1-1/4 ± 019											
1-1/2 ± 022											
1-3/4 ± 026											
2 ± 030											
2-1/4 ± 031											
2-1/2 ± 031											
2-3/4 ± 031											
3 ± 031											

FINE THREADS

L LENGTH	DASH NUMBERS				
	NO 10-32	1/4-28	5/16-24	3/8-24	1/2-20
1/8 ± 010	1032-2				
3/16 ± 010	1032-3	428-3			
1/4 ± 010	1032-4	428-4	524-4		
5/16 ± 010	1032-5	428-5	524-5		
3/8 ± 010	1032-6	428-6	524-6	624-6	820-6
7/16 ± 010	1032-7	428-7			
1/2 ± 010	1032-8	428-8	516-8	624-8	820-8
9/16 ± 010	1032-9	428-9			
5/8 ± 010	1032-10	428-10	524-10	624-10	820-10
3/4 ± 011	1032-12	428-12	524-12	624-12	820-12
7/8 ± 013		428-14	524-14	624-14	820-14
1 ± 015	1032-18	428-16	524-16	624-16	820-16
1-1/4 ± 019	1032-20	428-20	524-20	624-20	820-20
1-1/2 ± 022		428-24	524-24	624-24	820-24
1-3/4 ± 026			524-28	624-28	820-28
2 ± 030			524-32	624-32	820-32
2-1/4 ± 031					
2-1/2 ± 031					820-40
2-3/4 ± 031					
3 ± 031					820-48

NOTICE: When Government drawings, specifications, or other data are used for any purpose other than in connection with a definitely related Government procurement operation, the fact that the Government has furnished such data is hereby acknowledged, and the Government assumes no liability therefor, nor does its use in any way constitute an endorsement, approval, or recommendation of the views or opinions of the Government, or any other person or corporation, or any other data, or the use of any particular manufacturer's name, or any other data, or the use of any particular invention that may be patented therein.

APPROVED FOR PUBLIC RELEASE. DISTRIBUTION IS UNLIMITED.

AUTHORITY: This specification is approved for use by the Department of the Air Force and Navy.

SUPERSEDES: This specification is approved for use by the Department of the Air Force and Navy.

AMSC: N/A

APPROVED 26 FEB 54 REVISED 6 ENTIRE STANDARD REVISED

PA DLA-IS	AIR FORCE - NAVY AERONAUTICAL STANDARD	AN565
Other Cust	SETScrew-HEXAGON AND FLUTED SOCKET, HEADLESS	
PROCUREMENT SPECIFICATION FF-5-200	SUPERSEDES USAF DRAWINGS 565 AND 566	SHEET 2 OF 3

FF-565 UBDLS

NOTE: When Government drawings, specifications, or other data are used for any purpose other than in connection with a specific procurement operation, the United States Government thereby incurs no responsibility, nor does any other person. The Government may have furnished, furnished, or in any way supplied the said drawings, specifications, or other data and it is not to be regarded as implied or otherwise as in any manner limiting the rights and any potential invention that may in any way be made thereon.

CLASSIFICATION: UNCLASSIFIED APPROVED FOR PUBLIC RELEASE. DISTRIBUTION IS LIMITED TO: Department of the Air Force-Navy assigned for this product. This drawing becomes effective for the procurement of the same product and shall not be used for any other purpose. This drawing shall be replaced by a new design not later than 8 months after the latest date of approval shown. AMSC N/A

FED SUP CLASS
5305

- (a) SOCKET DEPTH A - THE DEPTH OF SOCKET SHALL BE AS GREAT AS PRACTICABLE BUT VARYING CONDITIONS PENDER IT INADVISABLE TO SPECIFY DEFINITE VALUES FOR THIS DIMENSION
- (b) SOCKET END OF SCREW SHALL BE FLAT AND CHAMFERED THE CHAMFER SHALL EXTEND TO THE BOTTOM OF THE THREAD AND THE EDGE BETWEEN FLAT AND CHAMFER SHALL BE SLIGHTLY ROUNDED
- (c) NO 3-48 5-40, 10 24, 1/4-20 5/16-18 3/8-16 1/2-13 SETSCREWS INACTIVE FOR DESIGN AFTER 1 JULY 1954
SLOTTED HEAD SETSCREWS INACTIVE FOR DESIGN AFTER 1 JULY 1954 USE HEXAGON SOCKET SETSCREWS NO 2 AND 6 SIZE FLUTED SOCKET HEAD SETSCREWS ARE INACTIVE FOR NEW DESIGN AFTER 15 MAY 1994 DIMENSIONS IN INCHES

REQUIREMENTS

- 1 **MATERIAL** STEEL IN ACCORDANCE WITH THE PROCUREMENT SPECIFICATION
CORROSION RESISTANT STEEL IN ACCORDANCE WITH THE PROCUREMENT SPECIFICATION
- 2 **FINISH** STEEL - CADMIUM PLATE IN ACCORDANCE WITH QQ-P-416 TYPE II CLASS 2 PARTS WITH CLASS 3 PLATING MAY BE FURNISHED FROM SUPPLIER'S STOCK UNTIL 1 JANUARY 1975
CRES - PASSIVATE IN ACCORDANCE WITH QQ-P-35
- 3 HEXAGON SOCKET AND FLUTED SOCKET SETSCREWS MAY BE SPECIFIED WITH ANY POINT STYLE SHOWN FINISHED POINT ON TYPE D SETSCREW MAY BE SUPPLIED AS OPTIONAL

4 CODES

- ADD POINT STYLE TYPE BEFORE FIRST DASH NUMBER
- ADD H BETWEEN DASH NUMBERS FOR SETSCREW WITH HEXAGON SOCKET HEAD
- ADD L BETWEEN DASH NUMBERS FOR SETSCREW WITH FLUTED SOCKET HEAD (NO 2, 4 AND 6 SIZES, ONLY)
- (c) DASH BETWEEN DASH NUMBERS DESIGNATES SLOTTED HEAD SETSCREW (INACTIVE FOR DESIGN)
- ADD C AFTER POINT STYLE TYPE TO DESIGNATE CORROSION RESISTING STEEL SETSCREWS

5 PART NUMBERS

- EXAMPLES OF PART NUMBERS
- AN565B10J2H12 = SETSCREW WITH TYPE B POINT WITH HEXAGON SOCKET HEAD, NO 10-32 SIZE (190 INCH DIA), 3/4 (12/16) IN LONG, STEEL
 - AN565B4L5 = SETSCREW WITH TYPE B POINT, WITH FLUTED SOCKET HEAD, NO.4-40 SIZE (112 INCH DIA) 5/16 INCH LONG STEEL
 - (c) AN565A10-12 = SETSCREW WITH TYPE A POINT, WITH SLOTTED HEAD NO 10-24 SIZE (190 INCH DIA), 3/4(12/16) INCH LONG STEEL (INACTIVE FOR DESIGN)
 - AN565BC10J2H12 = SETSCREW WITH TYPE B POINT, WITH HEXAGON SOCKET HEAD, NO 10-32 SIZE, 3/4 INCH LONG, CORROSION RESISTING STEEL

- 6 THE LIST OF SETSCREWS THAT ARE CONSIDERED AS STANDARD STOCK ITEMS IS INCLUDED IN SPECIFICATION FF-5-103
- 7 SCREWS WITH NATIONAL CLASS 3 THREAD MAY BE SUBSTITUTED FOR UNIFIED CLASS 3A THREADS UNTIL EXISTING STOCKS OF NATIONAL CLASS 3 SCREWS ARE DEPLETED UNIFIED CLASS 3A WILL BE MANDATORY ON ALL SCREWS SUPPLIED AFTER 1 JANUARY 1956

NOTES

- 1 DIMENSIONS IN INCHES UNLESS OTHERWISE SPECIFIED, TOLERANCES FRACTIONS +/-1/64, DECIMALS +/- .005
- 2 IN THE EVENT OF A CONFLICT BETWEEN THE TEXT OF THIS DOCUMENT AND THE REFERENCES CITED HEREIN, THE TEXT OF THIS DOCUMENT SHALL TAKE PRECEDENCE.
- 3 UNLESS OTHERWISE SPECIFIED, ISSUES OF REFERENCED DOCUMENTS ARE THOSE IN EFFECT AT THE TIME OF SOLICITATION

PA DLA-15	AIR FORCE - NAVY AERONAUTICAL STANDARD	AN565
Other Cust	SETSCREW-HEXAGON AND FLUTED SOCKET, HEADLESS	
PROCUREMENT SPECIFICATION FF-5-200	SUPERSEDES USAF DRAWINGS 565 AND 566	SHEET 3 OF 3

PREVIOUS EDITIONS OF THIS FORM ARE OBSOLETE

PROJECT NO 5305-2031

APPROVED 26 FEB 54 REVISED (6) ENTIRE STANDARD REVISED