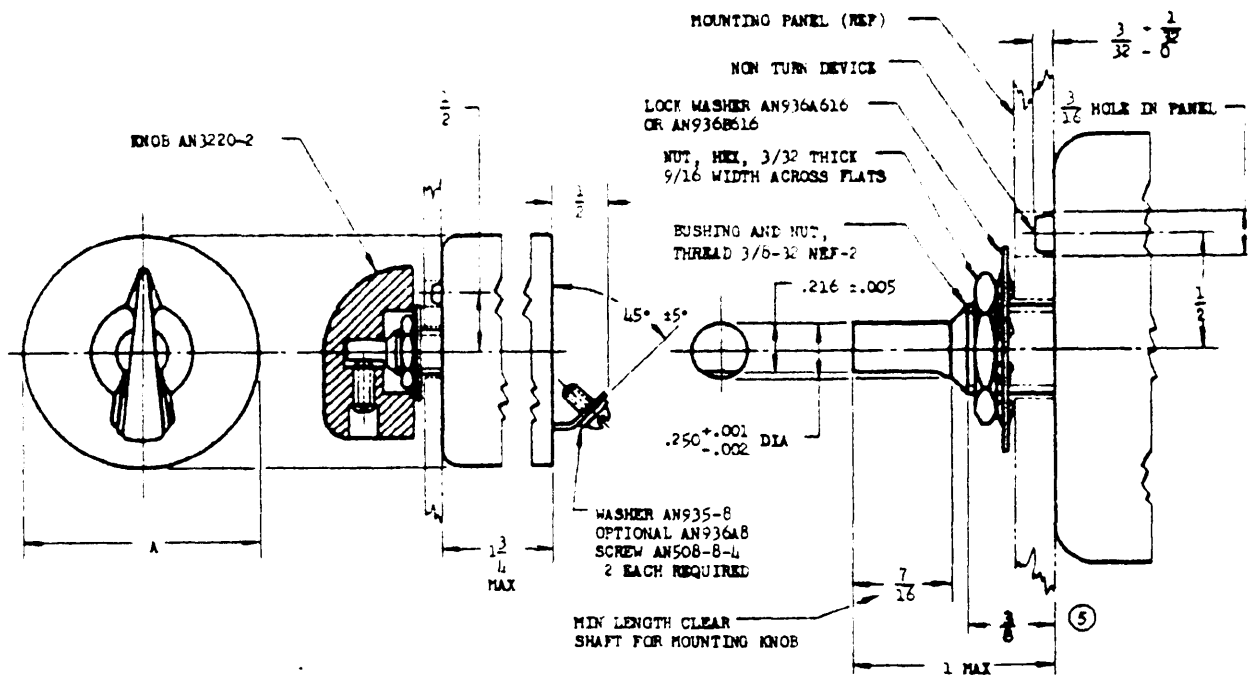


When Government drawings, specifications, or other data are used for any purpose other than to reproduce the drawing, the United States Government hereby disclaims any responsibility, nor any obligation, for the use of the drawing, specification, or other data in a manner not intended by the Government. The Government makes no warranty, expressed or implied, for the use of the drawing, specification, or other data in a manner not intended by the Government. The Government is not liable for any damages, including reasonable attorneys' fees, or for any other loss or expense, or for any other person or organization, in connection with the use of the drawing, specification, or other data in a manner not intended by the Government.



MOUNTING DETAIL

AN PART NO.	NOMINAL WATTS	OHMS	AMPERES AT		A MAX	WT LB MAX	DESIGN OPERATING LOAD OF TAPER WOUND RHEOSTATS
			MIN RES ST	MAX RES ST			
AN3155-25-10	25	10	1.95	0.30	1-7/8	0.40	10 EACH 3 V .195 AMP INSTRUMENT LAMPS OPERATING AT 3 V
(b) AN3155-25-11	25	11	1.25	1.25	1-7/8	0.40	
AN3155-25-15	25	15	1.30	1.30	1-7/8	0.40	
AN3155-25-25	25	25	1.00	1.00	1-7/8	0.40	
AN3155-25-50	25	50	0.71	0.71	1-7/8	0.40	
AN3155-25-75	25	75	0.58	0.58	1-7/8	0.40	
AN3155-25-100	25	100	0.85	0.16	1-7/8	0.40	3 EACH 2 CP., 12-16 VOLT LAMPS OPERATING AT 14.25 VOLTS.
AN3155-25-200	25	200	0.35	0.35	1-7/8	0.40	
AN3155-50-5	50	5	5.50	1.82	2-3/4	0.60	1 EACH 100 CP., 12-16 VOLT LAMP OPERATING AT 14.25 VOLTS.
(a) AN3155-50-8	50	8	2.50	2.50	2-3/4	0.60	
AN3155-50-10	50	10	2.50	1.60	2-3/4	0.60	1 EACH 100 CP., 28 VOLT LAMP OPERATING AT 28.5 VOLTS.
AN3155-50-25	50	25	2.70	0.70	2-3/4	0.60	1 EACH 21/21 CP., 12-16 VOLT LAMP WITH TWO FILAMENTS OPERATING AT 14.25 VOLTS.
(a) AN3155-50-30	50	30	1.70	0.90	2-3/4	0.60	1 EACH 24 VOLT SERIES MOTOR THAT REQUIRES 1.70 AMPS, MAX
AN3155-50-50	50	50	1.00	1.00	2-3/4	0.60	
AN3155-50-75	50	75	0.82	0.82	2-3/4	0.60	
AN3155-50-100	50	100	1.35	0.25	2-3/4	0.60	1 EACH 21/21 CP., 28 VOLT LAMP WITH TWO FILAMENTS OPERATING AT 28.5 VOLTS.
AN3155-50-150	50	150	0.69	0.17	2-3/4	0.60	1 EACH 21/21 CP., 28 VOLT LAMP WITH ONLY ONE FILAMENT OPERATING.
AN3155-50-200	50	200	1.35	0.15	2-3/4	0.60	1 EACH 21/21 CP., 28 VOLT LAMP WITH TWO FILAMENTS OPERATING AT 28.5 VOLTS.

- (a) ROTATION CLOCKWISE INCREASES RESISTANCE. MINIMUM RESISTANCE OBTAINED WHEN THE RHEOSTAT IS TUNNED ON FROM THE "OFF" POSITION.
- (b) ROTATION CLOCKWISE INCREASES RESISTANCE. NO OFF POSITION. NINETY STEPS MINIMUM.

EXAMPLE OF AN PART NO.: AN3155-50-10 INDICATES A 50 WATT, 10 OHM RHEOSTAT.
 DIMENSIONS IN INCHES. UNLESS OTHERWISE SPECIFIED, TOLERANCES: FRACTIONS ±3/64
 FOR ACCEPTABLE PRODUCTS, SEE ANA BULLETIN NO. 181.

PROCUREMENT SPECIFICATION	AIR FORCE-NAVY AERONAUTICAL STANDARD	AN3155
AN-R-114	RHEOSTAT-AIRCRAFT POWER	

APPROVED 12 APR 53 REVISED 1 23 FEB 54 2 24 FEB 55 3 12 SEP 45 4 17 NOV 47 5 2 FEB 48