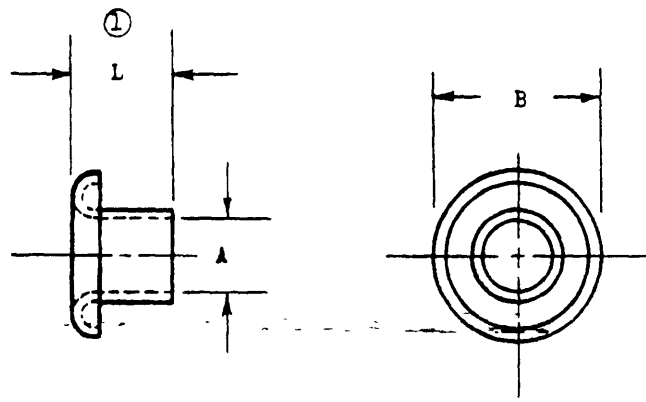


NOTE: When Government drawings, specifications, or other data are used for any purpose other than in connection with a definitely related Government procurement operation, the United States Government must thereby incur no responsibility, nor any obligation whatsoever, and the fact that the Government may have furnished, furnished, or in any way supplied the said drawings, specifications, or other data is not to be regarded by implication or otherwise as in any manner licensing the holder or any other person or corporation, or conveying any rights or permission to manufacture, use, or sell any patented invention that may in any way be related thereto.

NOTE: This drawing was approved by joint action of the War and Navy Departments as the Army-Navy standard for this drawing. The drawing is not to be used for all subsequent standard drawings for the same product and shall become obsolete for the purpose of the standard upon the date of approval, or for use in new designs, not later than six months after the latest date of approval shown. It may be put into effect, however, at an earlier date after promulgation.



AN PART NO.		TRADE SIZE	A DIA.	B DIA.	L MIN.	FOR USE WITH MATERIAL THICKNESS (MAX.)
STEEL	BRASS					
AN240F2	AN240-2	0	1/8	5/16	.170	.094
AN240F3	AN240-3	AA	3/16	3/8	.190	.109
AN240F4	AN240-4	SMALL KLONDIKE	1/4	1/2	.210	.125
AN240F5	AN240-5	LARGE KLONDIKE	5/16	5/8	.235	.141

- ① MATERIAL: BRASS OR STEEL
- ① FINISH: STEEL, CADMIUM PLATE, SPEC. AN-QQ-P-421 OR ZINC PLATE, SPEC. AN-P-32. STEEL AND BRASS, BLACK ENAMEL UNLESS OTHERWISE SPECIFIED.
- COMMERCIAL PRODUCT.
- ① DIMENSIONS IN INCHES.
- DIMENSIONS GIVEN ARE APPROXIMATE FOR DRAFTING ROOM REFERENCE.

PROCUREMENT SPECIFICATION	ARMY-NAVY AERONAUTICAL STANDARD	AN 240
	NONE	

APPROVED 9-26-42 REVISED ① 4-15-43