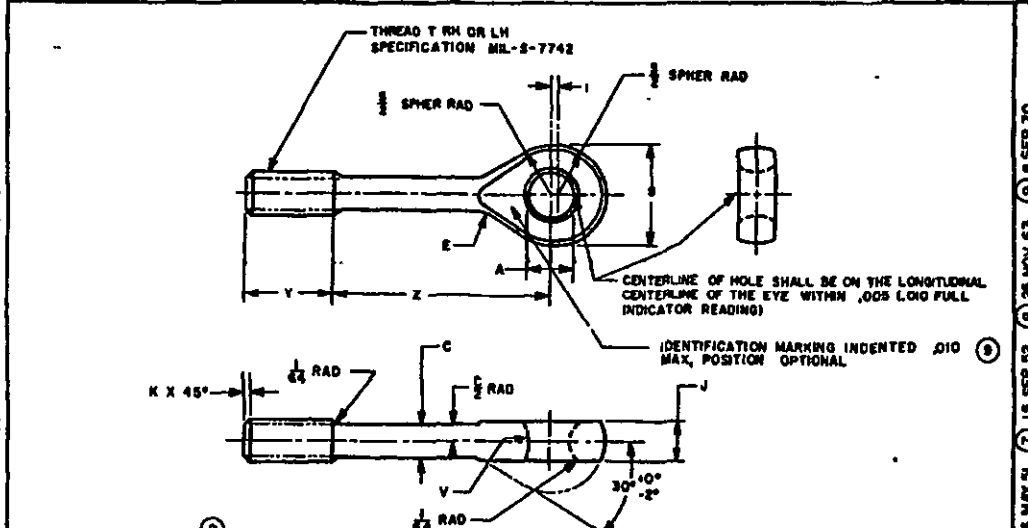


NOTICE: When Government drawings, specifications, or other data are used for any purpose other than in connection with a definitely related Government procurement operation, the United States Government hereby incurs no responsibility, nor any obligation, and the fact that the Government may have furnished, furnished, or in any way supplied the said drawings, specifications, or other data is not to be regarded as an implied or otherwise in any manner. Limiting the holder or any other person or organization, or conveying any rights or permission to manufacture, use, or sell any patented invention that may in any way be related thereto.

NOTE: This drawing was approved by joint action of the Air Force and Navy Departments at the Air Force Materiel Command, Dayton, Ohio, on 15 APR 44. The drawing represents all dimensional requirements for the part and shall be used for the manufacture of the part. It is the responsibility of the manufacturer to check the design, not later than 6 months after the issue date of approval shown.



AN PART NO.	MIN BREAKING STRENGTH LB	THREAD T UNF-3A (e)	A +.010 -+.000 DIA	C +.008 -+.000 DIA	E RAD	I +.010 -.000	J 2.005	K MAX	S DIA	V RAD	Y DIA	Z +.031 -.016
AN170-5LS	550	NO. 4-48	.172	.078	.094	.031	.125	.031	.344	.094	.344	.489
AN170-5RL												
AN170-6LS	800	NO. 6-40	.188	.094	.125	.031	.125	.031	.375	.094	.375	1.125
AN170-6RL												
AN170-16LS	1 600	NO. 10-32	.218	.133	.156	.031	.188	.031	.500	.172	.500	2.000
AN170-16RS												
AN170-16LL												
AN170-16RL												
AN170-22LS	2 200	1/4 -28	.218	.165	.156	.031	.188	.031	.500	.172	.663	1.125
AN170-22RS												
AN170-22LL												
AN170-22RL												
AN170-32LS	3 200	1/4 -28	.281	.188	.218	.047	.218	.047	.625	.203	.825	1.125
AN170-32RS												
AN170-32LL												
AN170-32RL												
AN170-46LS	4 600	5/16-24	.313	.243	.250	.047	.281	.047	.668	.250	.750	1.125
AN170-46RS												
AN170-46LL												
AN170-46RL												
AN170-61LL	6 100	3/8 -24	.344	.256	.281	.063	.281	.063	.750	.313	.875	2.000
AN170-61RL												
AN170-80LL	8 000	3/8 -24	.375	.308	.281	.063	.328	.063	.875	.375	.875	2.000
AN170-80RL												
AN170-125LL	12 800	7/16 -20	.449	.362	.369	.078	.375	.078	1.063	.453	1.000	2.375
AN170-125RL												
AN170-175LL	17 500	1/2 -20	.583	.425	.406	.078	.489	.078	1.188	.500	1.000	2.625
AN170-175RL												

CANCELLED AFTER 25 NOVEMBER 1963 USE MS21255.
 INTERCHANGEABILITY RELATIONSHIP - MEDICAL - CAN BE REPLACED BY CANCELLED AN170 PARTS - IDENTIFIED BY LINE MATERIAL AND THREAD SIZE. THE CANCELLED AN170 PARTS CANNOT REPLACE THE MEDICAL PARTS AND SHOULD BE USED UNTIL EXISTING STOCK IS DEPLETED. USE ONLY THE SUPERSEDING MEDICAL PARTS OF LINE MATERIAL AND THREAD SIZE.

(e) UNF-3A THREAD FOR ALL EXCEPT NOS. 4-48, 6-40 AND 10-32 WHICH ARE NF-3A.
 MATERIAL: STEEL. SEE PROCUREMENT SPECIFICATION.
 FINISH: SEE PROCUREMENT SPECIFICATION.
 FIRST LETTER FOLLOWING DASH NUMBER INDICATES DIRECTION OF THREAD (LEFT OR RIGHT HAND)
 EXAMPLES OF PART NOS.: AN170-5LS = EYE - TURNBUCKLE, NO 4-48 LEFT HAND THREAD, SHORT.
 AN170-46RL = EYE - TURNBUCKLE, 5/16-24 RIGHT HAND THREAD, LONG.
 REMOVE ALL LOOSE AND HANGING BURRS AND SLIVERS WHICH MIGHT BECOME DISLODGED UNDER USAGE.
 DIMENSIONS IN INCHES, UNLESS OTHERWISE SPECIFIED, TOLERANCES: DECIMALS ±.010, FRACTIONS ±1/64.

REINSTATED
8 SEPTEMBER
1970

PROCUREMENT SPECIFICATION: MIL-T-5685

AIR FORCE-NAVY AERONAUTICAL STANDARD

EYE - AIRCRAFT TURNBUCKLE, FOR CABLE

AN170

SUPERSEDES FORMER AIR FORCE AND NAVY STANDARD ISSUES OF A170, USAF DRAWING 037995 AND 037996, NAF DRAWINGS 1064-3 AND AND1064-4.

APPROVED 1 SEP 42 REVISED 15 APR 44 22 MAY 44 312 JUL 44 30 SEP 46 59 MAY 51 715 SEP 52 825 NOV 63 918 SEP 70