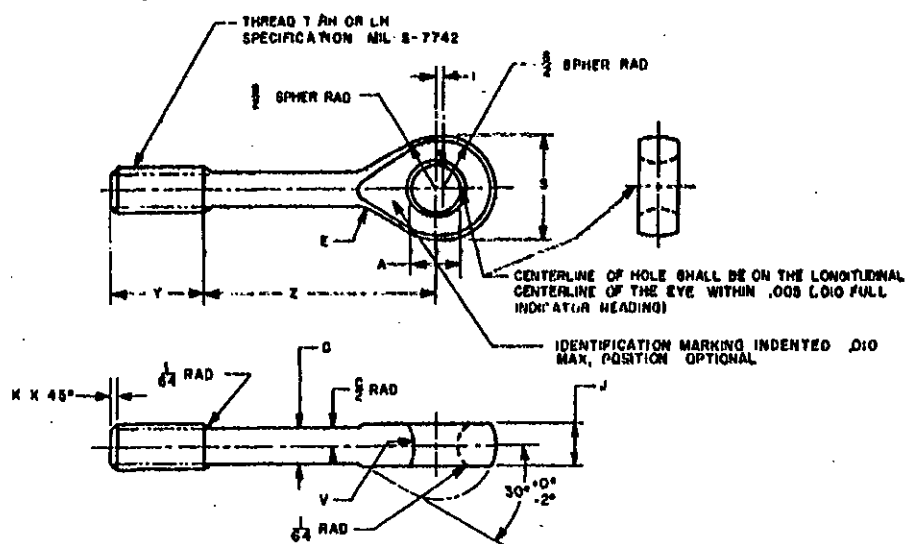


NOTICE: When Government drawings, specifications, or other data are used for any purpose other than in connection with a definitely related Government procurement operation, the United States Government thereby incurs no responsibility, nor any obligation, whatsoever; and the fact that the Government may have furnished, furnished, or in any way supplied the said drawings, specifications, or other data is not to be regarded by implication or otherwise as in any manner favoring the holder or any other person or corporation, or conveying any rights or permission to manufacture, use, or sell any patented invention that may in any way be related thereto.

NOTE: This drawing was approved by part action of the Air Force and Navy Departments as the Air Force-Navy standard for this product. This drawing supersedes all antecedent standard drawings for the same product and shall become effective for the procurement of approved supplies, or for use in new design, not later than 6 months after the latest date of approval shown.



AN PART NO.	MIN BREAKING STRENGTH LB	THREAD T UNF-3A (1)	A +.010 -0.000 DIA	C +.008 -0.000 DIA	E RAD	I +.010 -0.000	J ±.005	K MAX	S DIA	V RAD	Y ±.047	Z +.031 -0.015
AN170-5LS	550	NO. 4-48	.172	.078	.084	.031	.125	.031	.344	.094	.344	.469
AN170-5RS												
AN170-6LS	600	NO. 6-40	.188	.094	.125	.031	.125	.031	.375	.094	.375	1.125
AN170-6RS												
AN170-16LS	1 600	NO. 10-32	.219	.133	.156	.031	.189	.031	.500	.172	.500	1.125
AN170-16RS												2.000
AN170-16RL												1.125
AN170-16RL												2.000
AN170-22LS	2 200	1/4 -28	.219	.155	.156	.031	.189	.031	.500	.172	.563	1.125
AN170-22RS												2.000
AN170-22LL												1.125
AN170-22RL												2.000
AN170-32LS	3 200	1/4 -28	.261	.169	.219	.047	.219	.047	.625	.203	.625	1.125
AN170-32RS												2.000
AN170-32LL												1.125
AN170-32RL												2.000
AN170-46LS	4 600	5/16-24	.313	.243	.250	.047	.281	.047	.688	.250	.750	1.125
AN170-46RS												2.000
AN170-46RL												1.125
AN170-46RL												2.000
AN170-61LL	6 100	3/8 -24	.344	.256	.281	.063	.326	.063	.750	.33	.875	2.000
AN170-61RL												2.000
AN170-61LL												2.000
AN170-61RL												2.000
AN170-125LL	12 500	7/16 -20	.469	.362	.359	.078	.375	.078	1.063	.453	1.000	2.375
AN170-125RL												2.375
AN170-175LL	17 500	1/2 -20	.563	.425	.406	.078	.469	.078	1.188	.500	1.000	2.625
AN170-175RL												2.625

**Ⓢ CANCELLED AFTER 10 DECEMBER 1971. USE MS21255.**  
 INTERCHANGEABILITY RELATIONSHIP: MS21255 CAN REPLACE THE CANCELLED AN170 PARTS IDENTIFIED BY LIKE MATERIAL AND THREAD SIZE. THE CANCELLED AN170 PARTS CANNOT REPLACE THE MS21255 PARTS AND SHOULD BE USED UNTIL EXISTING STOCK IS DEPLETED. USE ONLY THE SUPERSEDING MS21255 PARTS OF LIKE MATERIAL AND THREAD SIZE.

(1) UNF-3A THREAD FOR ALL EXCEPT NOS. 4-48, 6-40 AND 10-32 WHICH ARE NF-3A.  
 MATERIAL: STEEL. SEE PROCUREMENT SPECIFICATION.  
 FINISH: SEE PROCUREMENT SPECIFICATION.  
 FIRST LETTER FOLLOWING DASH NUMBER INDICATES DIRECTION OF THREAD (LEFT OR RIGHT HAND).  
 EXAMPLES OF PART NOS.: AN170-5LS = EYE - TURNBUCKLE, NO 4-48 LEFT HAND THREAD, SHORT.  
 AN170-46RL = EYE - TURNBUCKLE, 5/16-24 RIGHT HAND THREAD, LONG.  
 REMOVE ALL LOOSE AND HANGING BURRS AND SLIVERS WHICH MIGHT BECOME DISLODGED UNDER USAGE.  
 DIMENSIONS IN INCHES. UNLESS OTHERWISE SPECIFIED, TOLERANCES: DECIMALS ±.010, FRACTION ±1/64.

**Ⓢ REINSTATED**  
**8 SEPTEMBER**  
**1970**

PROCUREMENT SPECIFICATION  
 MIL-T-5685

**AIR FORCE-NAVY AERONAUTICAL STANDARD**  
**EYE - AIRCRAFT TURNBUCKLE, FOR CABLE**

**AN170**

SUPERSEDES FORMER AIR FORCE AND NAVY STANDARD ISSUES OF AN170, USAF DRAWING 037995 AND 037996, NAF DRAWING 7384-N AND AND1084-4.

APPROVED 1 SEP 62 REVISED 10 DEC 71