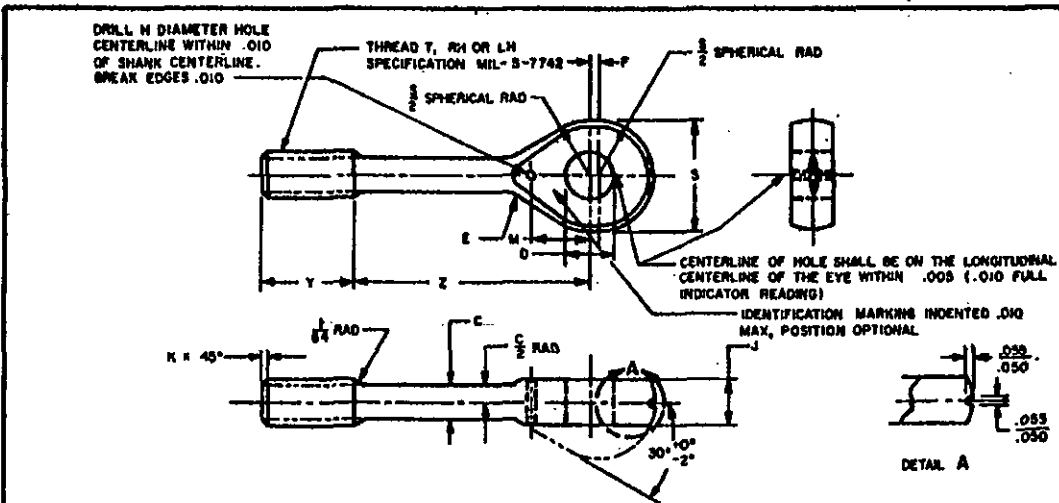


NOTE: When Government drawings, specifications, or other data are used for any purpose other than in connection with a definite and related Government procurement operation, the United States Government thereby incurs no responsibility, nor any obligation whatsoever; and the fact that the Government may have furnished drawings, specifications, or other data in any form or by any means, and the fact that the Government may have furnished drawings, specifications, or other data in any form or by any means, shall not be regarded as an authorization, either by implication or otherwise, in any manner, for the reproduction or the use of any such drawings, specifications, or other data in connection with any other Government procurement operation, or for any other purpose not intended by the Government.

NOTE: This drawing was approved by joint action of the Air Force and Navy Departments as the Air Force-Navy standard for this product. This drawing supersedes all antecedent standard drawings for this same product and shall become effective for the procurement of aeronautical supplies, or for use in new design, not later than 6 months after the latest date of approval shown.



AN PART NO.	MIN BREAKING STRENGTH LB	THREAD T UNF-3A	C +.008 -.000 DIA	D +.002 -.000 DIA	E RAD	F +.010 -.000	H +.003 -.001 DIA	J ±.005	K MAX	M +.000 -.005	S DIA	Y ±.047	Z +.031 -.015
AN165-8LS	800	NO. 6-40 (1)	.094		.125		.041	.125				.375	1.125
AN165-8RS													
AN165-16LS	1 600	NO. 10-32 (1)	.133	.190	.156	.031		.158	.031		.500	.500	2.000
AN165-16RS													
AN165-16LL													
AN165-16RL													
AN165-22LS	2 200		.155								.543	1.125	2.000
AN165-22RS													
AN165-32LS	3 200	1/4-20	.189	.250	.219			.219		.360	.625	.625	2.000
AN165-32RS													
AN165-32LL													
AN165-32RL													
AN165-46LS	4 600	3/16-24	.243	.313	.250		.055	.281		.366	.688	.750	2.000
AN165-46RS													
AN165-46LL													
AN165-46RL													
AN165-61LS	6 100	3/8-24	.256	.375	.281	.063		.047		.407	.750	.875	2.000
AN165-61RS													
AN165-61LL													
AN165-61RL													
AN165-80LS	8 000		.306					.328		.482	.875	1.000	2.375
AN165-80RS													
AN165-125LS	12 500	7/16-20	.362	.438	.359	.078		.375		.603	1.043	1.000	2.625
AN165-125RS													
AN165-175LS	17 500	1/2-20	.425	.500	.408			.489		.665	1.188	1.000	2.625
AN165-175RS													

(1) UNF-3A THREAD FOR ALL EXCEPT NO. 6-40 AND 10-32 WHICH ARE NF-3A.
 MATERIAL: STEEL, SEE PROCUREMENT SPECIFICATION.
 FINISH: SEE PROCUREMENT SPECIFICATION.
 ADD M BEFORE DASH NUMBER FOR PARTS WITH LOCKWIRE HOLE.
 FIRST LETTER FOLLOWING DASH NUMBER INDICATES DIRECTION OF THREAD (LEFT OR RIGHT HAND).
 EXAMPLES OF PART NUMBERS: AN165-32LS = TURNBUCKLE EYE, 1/4-20 LEFT HAND THREAD, SHORT LENGTH.
 AN165-32RS = TURNBUCKLE EYE, 1/4-20 RIGHT HAND THREAD, SHORT LENGTH.
 AN165-32LL = TURNBUCKLE EYE, 1/4-20 LEFT HAND THREAD, LONG LENGTH.
 AN165-32RL = TURNBUCKLE EYE, 1/4-20 RIGHT HAND THREAD, LONG LENGTH.
 AN165H32RL = TURNBUCKLE EYE, 1/4-20 RIGHT HAND THREAD, LONG LENGTH, LOCKWIRE HOLE.
 REMOVE ALL LOOSE AND HANGING BURRS AND SLIVERS WHICH MIGHT BECOME DISLODGED UNDER USAGE.
 DIMENSIONS IN INCHES. UNLESS OTHERWISE SPECIFIED, TOLERANCES: DECIMALS ±.010, FRACTIONS ±1/64.

Ⓢ CANCELLED AFTER 10 DECEMBER 1971. USE MS21254.
 INTERCHANGEABILITY RELATIONSHIP - MS21254 CAN REPLACE THE CANCELLED AN165 PARTS IDENTIFIED BY LINE MATERIAL AND THREAD SIZE. THE CANCELLED AN165 PARTS CANNOT REPLACE THE MS21254 PARTS AND SHOULD BE USED UNTIL EXISTING STOCK IS DEPLETED. USE ONLY THE SUPERSEDING MS21254 PARTS OF LINE MATERIAL AND THREAD SIZE.
Ⓢ REINSTATED 8 SEPTEMBER 1970

PROCUREMENT SPECIFICATION	AIR FORCE-NAVY AERONAUTICAL STANDARD	AN165
MIL-T-5465	EYE - AIRCRAFT TURNBUCKLE, FOR PIN	

SUPERSEDES FORMER ARMY AND NAVY STANDARD ISSUES OF AN165

APPROVED 24 Sep 42 REVISED 13 Oct 44 220 Sep 48 37 Feb 51 24 May 51 15 Sep 52 6 Feb 54 725 Mar 63 8 Sep 70 10 Dec 71