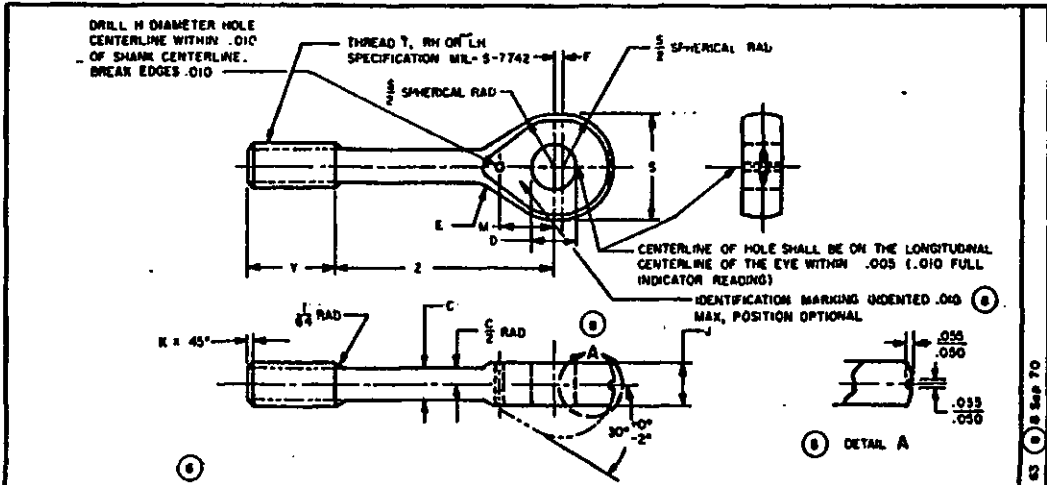


NOTE: When Government drawings, specifications, or other data are used for any purpose other than in connection with a definitely related Government procurement operation, the United States Government thereby incurs no responsibility, nor any obligation, and it is to be understood that neither the United States Government nor any of its agencies, departments, or commissions, or any of their employees, make any warranty, expressed or implied, or assume any legal liability for or accept any responsibility for the accuracy or completeness of the data contained herein.

NOTE: This drawing was prepared by joint action of the Air Force and Navy Departments as the Air Force-Navy standard for this product. This drawing supersedes all antecedent standard drawings for this same product and shall become effective for the procurement of antiaircraft supplies, or for use in any design, not later than 6 months after the later date of approval above.



AN PART NO.	MIN BREAKING STRENGTH LB	THREAD T UNF-3A	C +.006 -0.000 DIA	D +.002 -0.001 DIA	E RAD	F +.010 -0.000	H +.003 -0.001 DIA	J ±.005	K MAX	M +.000 -0.005	S DIA	Y ±.047	Z +.031 -0.015
AN165-8LS	800	NO. 6-40 (16)	.094	.125	.125	.041	.125			.228	.375	.375	1.125
AN165-8RS													
AN165-16LS	1 600	NO. 10-32	.133	.190	.156	.031	.188			.305	.500	.500	2.000
AN165-16RS													
AN165-16RL	2 200	1/4-28	.155		.156					.272	.500	.563	1.125
AN165-22LS													
AN165-22RS	3 200	1/4-28	.189	.250	.219	.047	.219			.380	.625	.625	2.000
AN165-22LL													
AN165-22RL	4 600	5/16-24	.243	.313	.250		.281			.366	.688	.750	1.125
AN165-46LS													
AN165-46RS	6 100	3/8-24	.256	.375	.281	.063				.407	.750	.875	2.000
AN165-46RL													
AN165-61LL	8 000	3/8-24	.306				.328			.482	.875	1.000	2.375
AN165-60LL													
AN165-125LL	12 500	7/16-20	.362	.438	.359	.078	.375			.603	1.063	1.000	2.375
AN165-125RL													
AN165-175LL	17 500	1/2-20	.425	.500	.408		.469			.663	1.188	1.000	2.625
AN165-175RL													

16) UNF-3A THREAD FOR ALL EXCEPT NO. 6-40 AND 10-32 WHICH ARE NF-3A.
 MATERIAL: STEEL, SEE PROCUREMENT SPECIFICATION.
 FINISH: SEE PROCUREMENT SPECIFICATION.
 ADD H BEFORE DASH NUMBER FOR PARTS WITH LOCKWIRE HOLE.
 FIRST LETTER FOLLOWING DASH NUMBER INDICATES DIRECTION OF THREAD (LEFT OR RIGHT HAND).
 EXAMPLES OF PART NUMBERS:
 AN165-32LS = TURNBUCKLE EYE, 1/4-28 LEFT HAND THREAD, SHORT LENGTH.
 AN165-32RS = TURNBUCKLE EYE, 1/4-28 RIGHT HAND THREAD, SHORT LENGTH.
 AN165-32LL = TURNBUCKLE EYE, 1/4-28 LEFT HAND THREAD, LONG LENGTH.
 AN165-32RL = TURNBUCKLE EYE, 1/4-28 RIGHT HAND THREAD, LONG LENGTH.
 AN165H32RL = TURNBUCKLE EYE, 1/4-28 RIGHT HAND THREAD, LONG LENGTH, LOCKWIRE HOLE.
 REMOVE ALL LOOSE AND HANGING BURRS AND SLIVERS WHICH MIGHT BECOME DISLODGED UNDER USAGE.
 DIMENSIONS IN INCHES. UNLESS OTHERWISE SPECIFIED, TOLERANCES: DECIMALS ±.010, FRACTIONS ±1/64.

CANCELLED AFTER 25 NOVEMBER 1963. USE MS21254.
 INTERCHANGEABILITY RELATIONSHIP - MS21254 CAN REPLACE THE CANCELLED AN165 PARTS IDENTIFIED BY LINE MATERIAL AND THREAD SIZE - THE CANCELLED AN165 PARTS CANNOT REPLACE THE MS21254 PARTS AND SHOULD BE USED UNTIL ENG7460 STOCK IS DEPLETED - USE ONLY THE PRECEDING MS21254 PARTS OF THE SAME MATERIAL AND THREAD SIZE.

REINSTATED 8 SEPTEMBER 1970

PROCUREMENT SPECIFICATION	AIR FORCE-NAVY AERONAUTICAL STANDARD	AN165
MIL-T-5485	EYE - AIRCRAFT TURNBUCKLE, FOR PIN	

SUPERSEDES FORMER ARMY AND NAVY STANDARD ISSUES OF AN165

APPROVED 24 SEP 42 REVISED 15 OCT 44 20 SEP 48 37 FEB 51 24 MAY 54 5 SEP 55 6 FEB 56 7 SEP 58 8 SEP 70