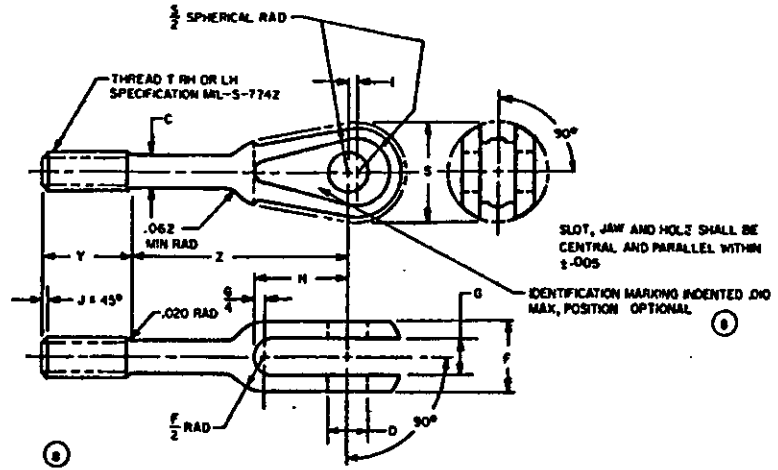


NOTICE: When Government drawings, specifications, or other data are used for any purpose other than in connection with a definitely related Government procurement operation, the United States Government hereby assumes no responsibility, nor any obligation, and the fact that the Government may have furnished, furnished, or in any way supplied the said drawings, specifications, or other data is not to be regarded by implication or otherwise as in any manner constituting an endorsement, or a recommendation, or a warranty, or a representation, or a confirmation, or a guarantee, or a certification, or a statement of opinion, or a statement of work, or any other form of approval or endorsement, or any other form of approval or endorsement, or any other form of approval or endorsement.

NOTE: This drawing was approved by joint action of the Air Force and Navy Departments as the Air Force-Navy standard for this product. This drawing supersedes all previous standard drawings for this product and shall become effective for the procurement of aeronautical supplies, or for use in new designs, not later than 6 months after the latest date of approval shown.



(b) AN PART NO.	MIN BREAKING STRENGTH LB	THREAD T UNF-3A (a)	C +.006 - .000 DIA	D +.002 - .000 DIA	F +.000 - .005	G +.010 - .000	H	I +.010 - .000	J MAX	S SPHER DIA	Y ±.047	Z ±.031 - .015
AN161-5LS AN161-5RS	550	NO 4-48	.078	.164	.312	.150	.375	.031	.031	.375	.344	.719
AN161-6LS AN161-6RS	900	NO 6-40	.094	.190	.25	.109	.375	.031		.375	.375	1.125
AN161-16LS AN161-16RS AN161-16LL AN161-16RL	1 600	NO 10-32	.133	.190	.39	.196	.375	.031		.500	.500	1.125 2.000
AN161-22LS AN161-22RS AN161-22LL AN161-22RL	2 200	1/4-28	.155	.190	.350	.187	.469	.031	.047	.531	.563	1.156 2.031
AN161-32LS AN161-32RS AN161-32LL AN161-32RL	3 200	1/4-28	.189	.250	.452	.218	.531	.047		.641	.625	1.219 2.109
AN161-46LS AN161-46RS AN161-46LL AN161-46RL	4 600	5/16-24	.243	.315	.547	.250	.656	.047		.734	.750	1.281 2.156
AN161-61LL AN161-61RL	6 100	3/8-24	.256	.375	.630	.270	.643	.063	.047	.813	.875	2.281
AN161-80LL AN161-80RL	8 000	3/8-24	.308	.375	.687	.312	.875	.063		.922	.875	2.313
AN161-125LL AN161-125RL	12 500	7/16-20	.362	.438	.750	.375	1.000	.078		1.084	1.000	2.438
AN161-175LL AN161-175RL	17 500	1/2-20	.425	.500	.844	.437	1.188	.078	1.219	1.000	2.488	

Ⓢ CANCELLED AFTER 25 NOVEMBER 1963. USE MS21252.
 INTERCHANGEABILITY RELATIONSHIP: MS21252 CAN REPLACE THE CANCELLED AND PARTS IDENTIFIED BY THE SAME DASH NUMBER.
 THE CANCELLED AND PARTS CANNOT REPLACE THE MS21252 PARTS AND SHOULD BE USED UNTIL EXISTING STOCK IS DEPLETED.
 USE ONLY THE SUPERSEDING MS21252 PARTS IDENTIFIED BY THE SAME DASH NUMBER.

(a) UNF-3A THREAD FOR ALL EXCEPT NOS. 4-48, 6-40 and 10-32 WHICH ARE 1F-3A.
 (b) FIRST LETTER FOLLOWING DASH NO. INDICATES DIRECTION OF THREAD (LEFT OR RIGHT)

MATERIAL: STEEL. SEE PROCUREMENT SPECIFICATION.
 FINISH: SEE PROCUREMENT SPECIFICATION.
 EXAMPLES OF PART NOS: AN161-5LS • FORK TURNBUCKLE, NO. 4-48 LEFT HAND THREAD SHORT.
 AN161-46RL • FORK TURNBUCKLE, 5/16-24 RIGHT HAND THREAD LONG.
 REMOVE ALL LOOSE AND HANGING BURRS AND SLIVERS WHICH MIGHT BECOME DISLOOGED UNDER USAGE.
 DIMENSIONS IN INCHES, UNLESS OTHERWISE SPECIFIED, TOLERANCES: DECIMALS ±.000, ANGLES ±1/2°

Ⓢ REINSTATED 8 SEPTEMBER 1970

PROCUREMENT SPECIFICATION ML-T-0685	AIR FORCE-NAVY AERONAUTICAL STANDARD	AN161
	FORK - TURNBUCKLE	

SUPERSEDES AAF DRAWINGS
161 4382542 AND 049321.

APPROVED 22 Oct 42 REVISED 1 13 Jan 43 2 15 May 44 3 11 Jul 45 4 24 May 51 5 15 Sep 52 6 17 Nov 53 7 25 Nov 53 8 9 Sep 70